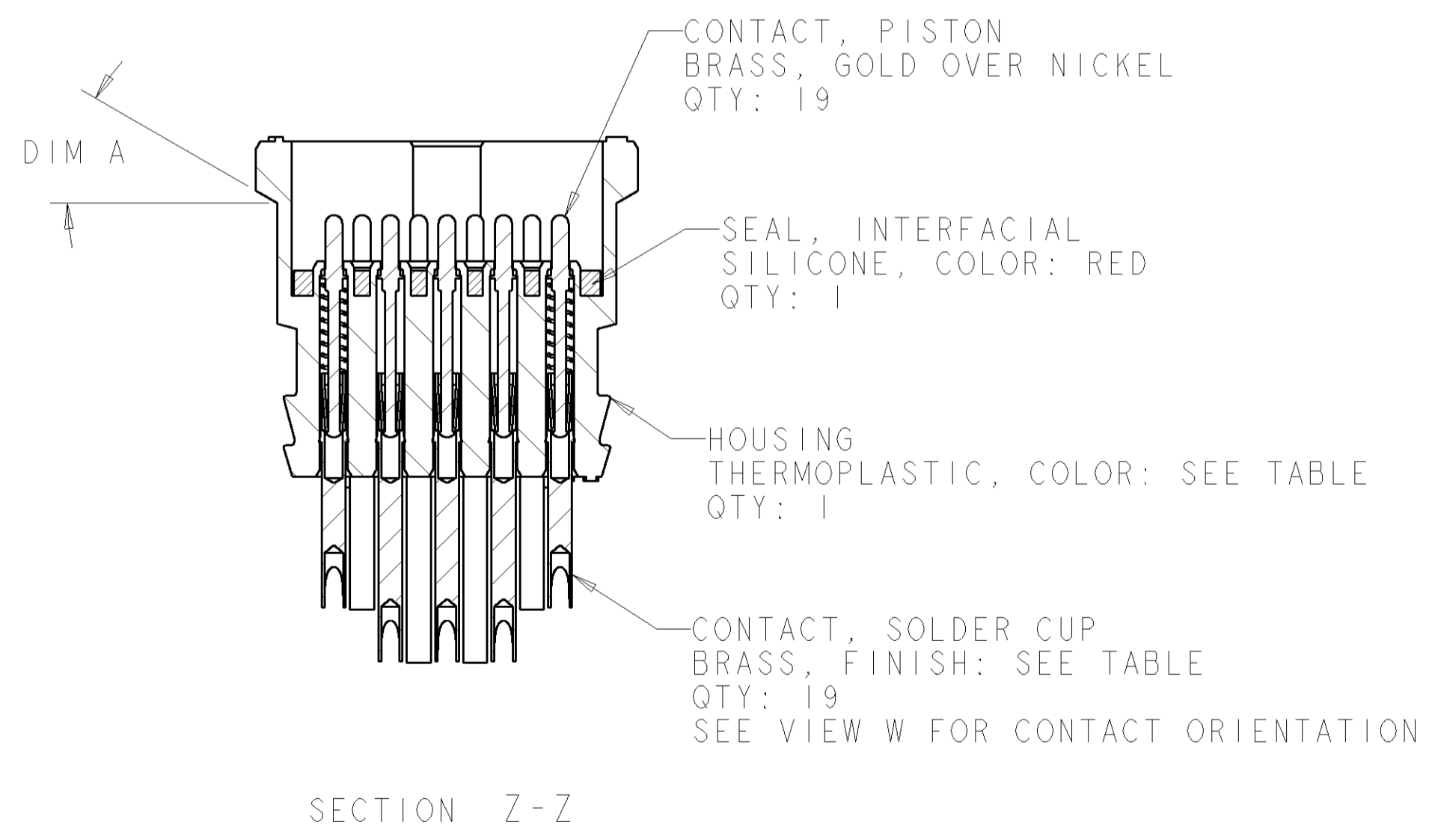
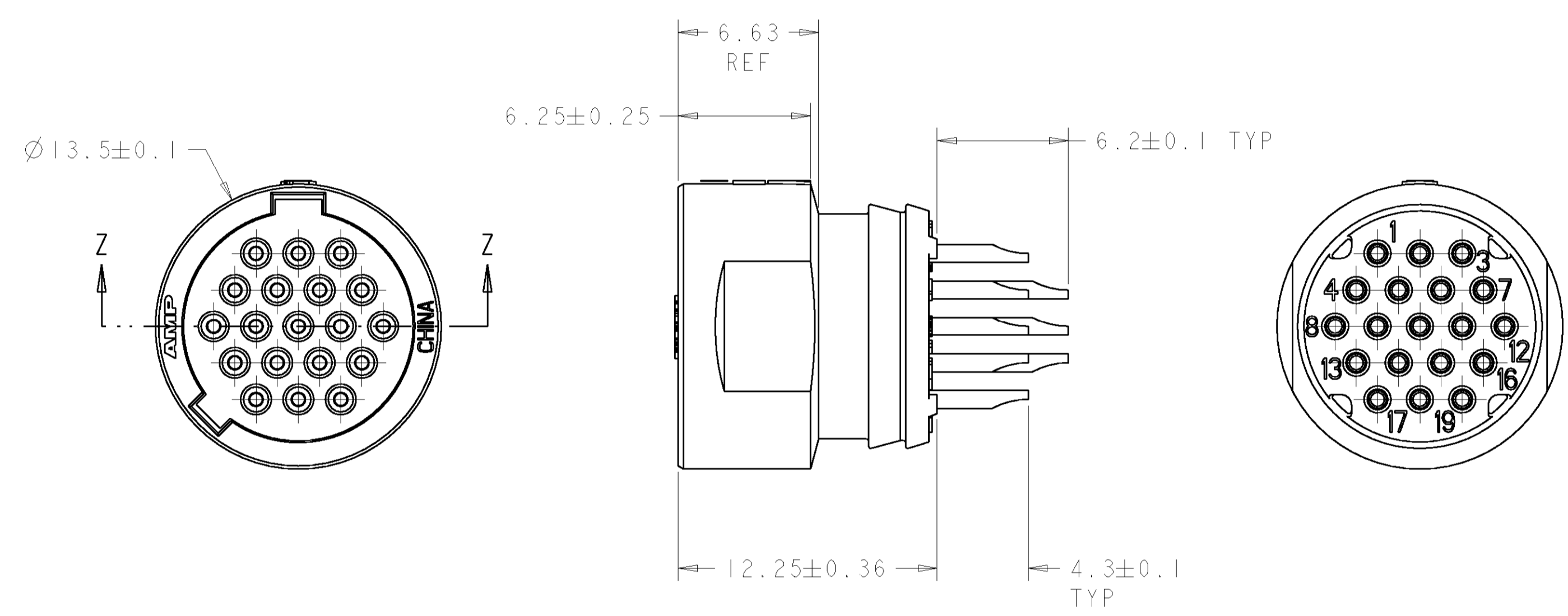
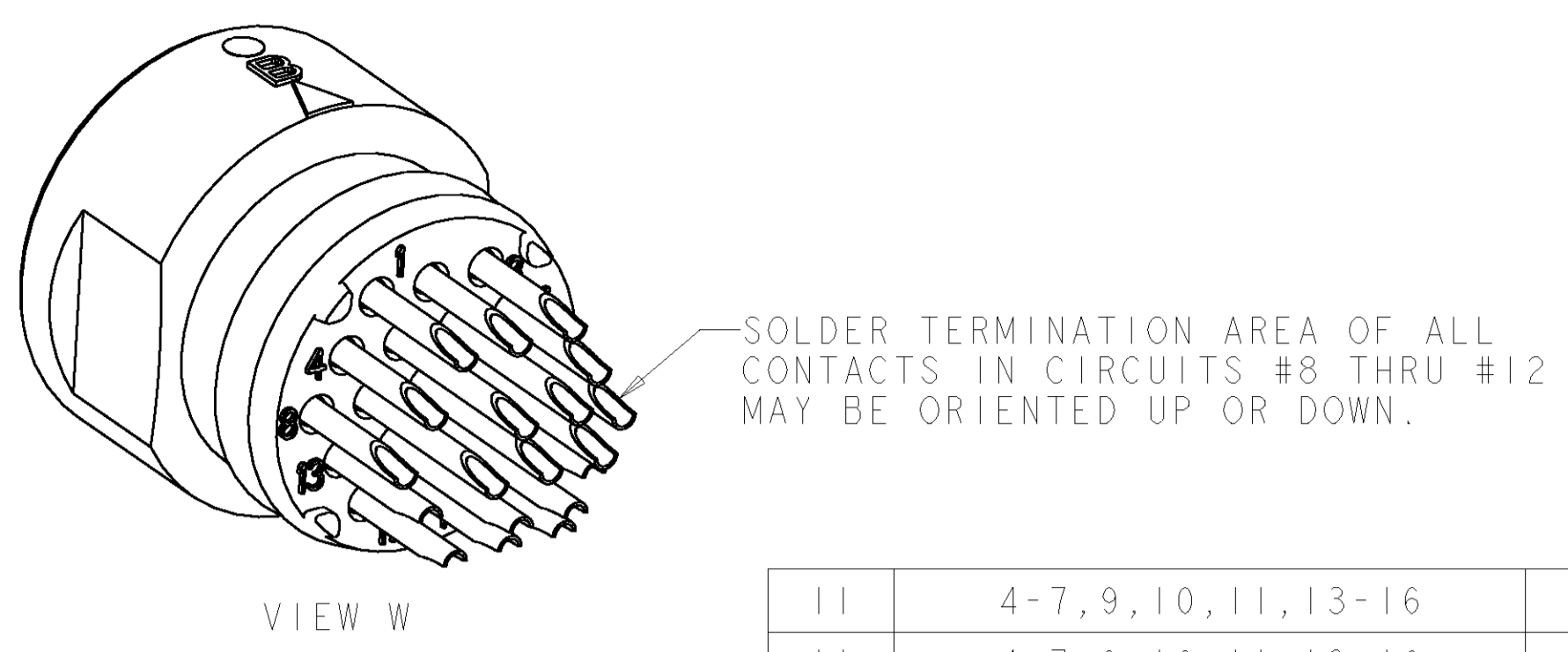
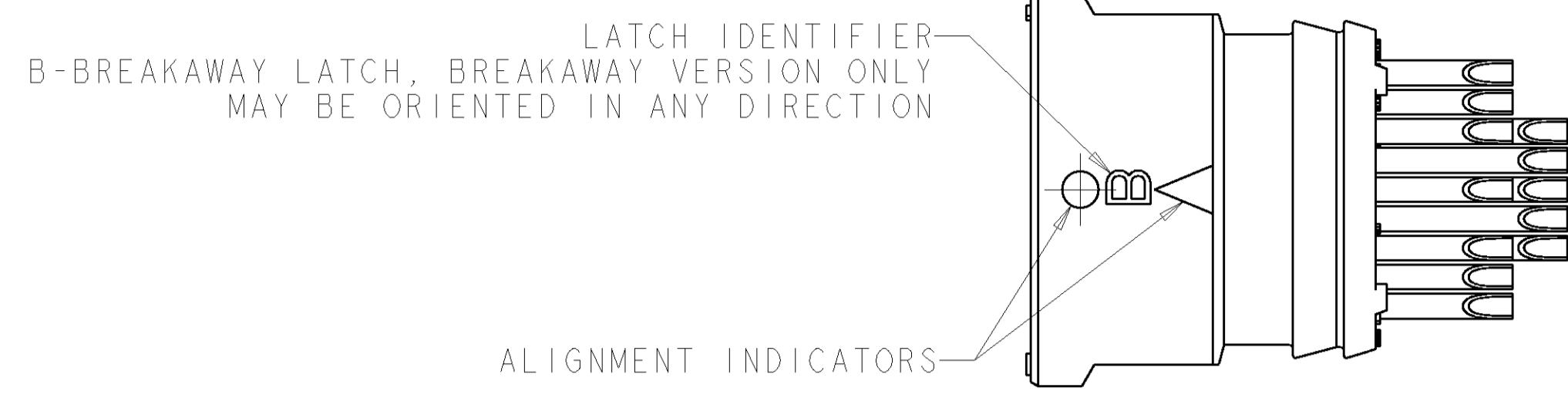


LOC	DIST	REVISIONS					
FT	0	P	LTR	DESCRIPTION	DATE	DWN	APVD
		A		RELEASED EC 0638-0570-04	28JUL2004	SW	HW
		B		REVISED EC 0638-0746-04	06OCT2004	SW	HW
		C		REVISED PER ECO-06-2703	24FEB2006	SS	DC
		C1		REVISED ECO-06-029818	02JAN2007	SW	DC



NO.	CIRCUITS	FINISH	ANGLE	COLOR	LATCH	PART NUMBER
11	4-7,9,10,11,13-16	TIN OVER NICKEL	30°	WHITE	BREAKAWAY	4-1445757-3
11	4-7,9,10,11,13-16	TIN OVER NICKEL	0°	BLACK	POSITIVE	4-1445757-2
10	4-7,9,11,13-16	TIN OVER NICKEL	30°	WHITE	BREAKAWAY	4-1445757-1
10	4-7,9,11,13-16	TIN OVER NICKEL	0°	BLACK	POSITIVE	4-1445757-0
9	1,3,5,6,10,14,15,17,19	TIN OVER NICKEL	30°	WHITE	BREAKAWAY	3-1445757-9
9	1,3,5,6,10,14,15,17,19	TIN OVER NICKEL	0°	BLACK	POSITIVE	3-1445757-8
8	1,3,5,6,14,15,17,19	TIN OVER NICKEL	30°	WHITE	BREAKAWAY	3-1445757-7
8	1,3,5,6,14,15,17,19	TIN OVER NICKEL	0°	BLACK	POSITIVE	3-1445757-6
12	1-4,7,8,12,13,16-19	TIN OVER NICKEL	30°	WHITE	BREAKAWAY	3-1445757-5
12	1-4,7,8,12,13,16-19	TIN OVER NICKEL	0°	BLACK	POSITIVE	3-1445757-4
13	1-4,7,8,10,12,13,16-19	TIN OVER NICKEL	30°	WHITE	BREAKAWAY	3-1445757-3
13	1-4,7,8,10,12,13,16-19	TIN OVER NICKEL	0°	BLACK	POSITIVE	3-1445757-2
14	1-4,7-9,11-13,16-19	TIN OVER NICKEL	30°	WHITE	BREAKAWAY	3-1445757-1
14	1-4,7-9,11-13,16-19	TIN OVER NICKEL	0°	BLACK	POSITIVE	3-1445757-0
15	1-4,7-10,11-13,16-19	TIN OVER NICKEL	30°	WHITE	BREAKAWAY	2-1445757-9
15	1-4,7-10,11-13,16-19	TIN OVER NICKEL	0°	BLACK	POSITIVE	2-1445757-8
16	1-8,12,13-19	TIN OVER NICKEL	30°	WHITE	BREAKAWAY	2-1445757-7
16	1-8,12,13-19	TIN OVER NICKEL	0°	BLACK	POSITIVE	2-1445757-6
17	1-8,10,12-19	TIN OVER NICKEL	30°	WHITE	BREAKAWAY	2-1445757-5
17	1-8,10,12-19	TIN OVER NICKEL	0°	BLACK	POSITIVE	2-1445757-4
18	1-9,11-19	TIN OVER NICKEL	30°	WHITE	BREAKAWAY	2-1445757-3
18	1-9,11-19	TIN OVER NICKEL	0°	BLACK	POSITIVE	2-1445757-2
19	ALL	TIN OVER NICKEL	30°	WHITE	BREAKAWAY	2-1445757-1
19	ALL	TIN OVER NICKEL	0°	BLACK	POSITIVE	2-1445757-0
12	1-4,7,8,12,13,16-19	TIN-LEAD OVER NICKEL	30°	WHITE	BREAKAWAY	1-1445757-6
12	1-4,7,8,12,13,16-19	TIN-LEAD OVER NICKEL	0°	BLACK	POSITIVE	1-1445757-5
13	1-4,7,8,10,12,13,16-19	TIN-LEAD OVER NICKEL	30°	WHITE	BREAKAWAY	1-1445757-4
13	1-4,7,8,10,12,13,16-19	TIN-LEAD OVER NICKEL	0°	BLACK	POSITIVE	1-1445757-3
14	1-4,7-9,11-13,16-19	TIN-LEAD OVER NICKEL	30°	WHITE	BREAKAWAY	1-1445757-2
14	1-4,7-9,11-13,16-19	TIN-LEAD OVER NICKEL	0°	BLACK	POSITIVE	1-1445757-1
15	1-4,7-10,11-13,16-19	TIN-LEAD OVER NICKEL	30°	WHITE	BREAKAWAY	1-1445757-0
15	1-4,7-10,11-13,16-19	TIN-LEAD OVER NICKEL	0°	BLACK	POSITIVE	1445757-9
16	1-8,12,13-19	TIN-LEAD OVER NICKEL	30°	WHITE	BREAKAWAY	1445757-8
16	1-8,12,13-19	TIN-LEAD OVER NICKEL	0°	BLACK	POSITIVE	1445757-7
17	1-8,10,12-19	TIN-LEAD OVER NICKEL	30°	WHITE	BREAKAWAY	1445757-6
17	1-8,10,12-19	TIN-LEAD OVER NICKEL	0°	BLACK	POSITIVE	1445757-5
18	1-9,11-19	TIN-LEAD OVER NICKEL	30°	WHITE	BREAKAWAY	1445757-4
18	1-9,11-19	TIN-LEAD OVER NICKEL	0°	BLACK	POSITIVE	1445757-3
19	ALL	TIN-LEAD OVER NICKEL	30°	WHITE	BREAKAWAY	1445757-2
19	ALL	TIN-LEAD OVER NICKEL	0°	BLACK	POSITIVE	1445757-1

QTY	CIRCUITS LOADED	FINISH	A	COLOR	LATCH	PART NUMBER
CONTACTS		HOUSING		PART NUMBER		

TYCO ELECTRONICS CORPORATION  
 17105-3608 HARRISBURG, PA

DRN: SHANE WIEST 17AUG2001  
 ENR: G DOUITY 17AUG2001  
 APVD: H. WAKEEM 28JUL2004

PRODUCT SPEC  
 APPLICATION SPEC

SIZE: CAGE CODE DRAWING NO. RESTRICTED TO  
 A100779C=1445757

SCALE: 5:1 SHEET 1 OF 1 REV. C1