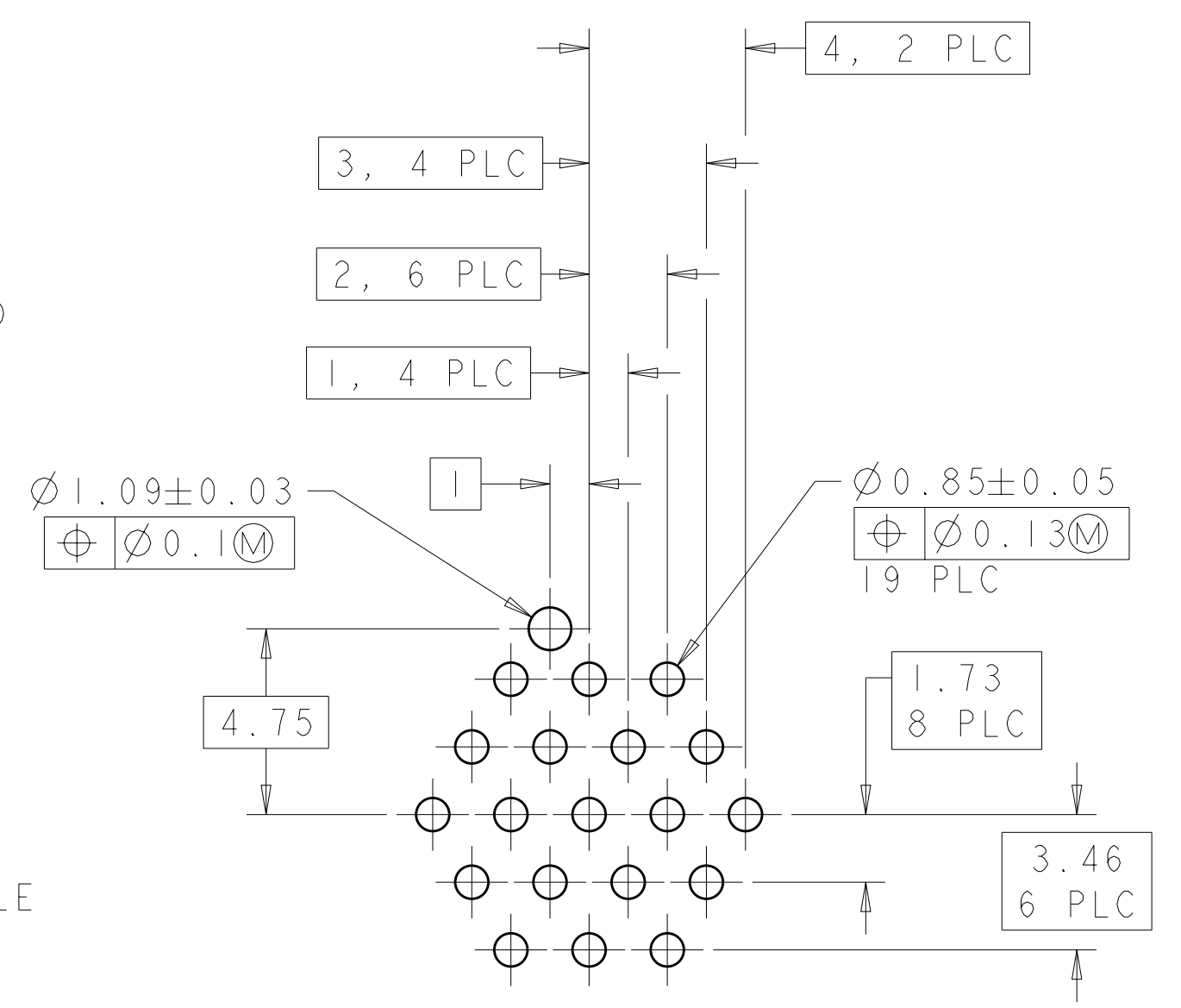
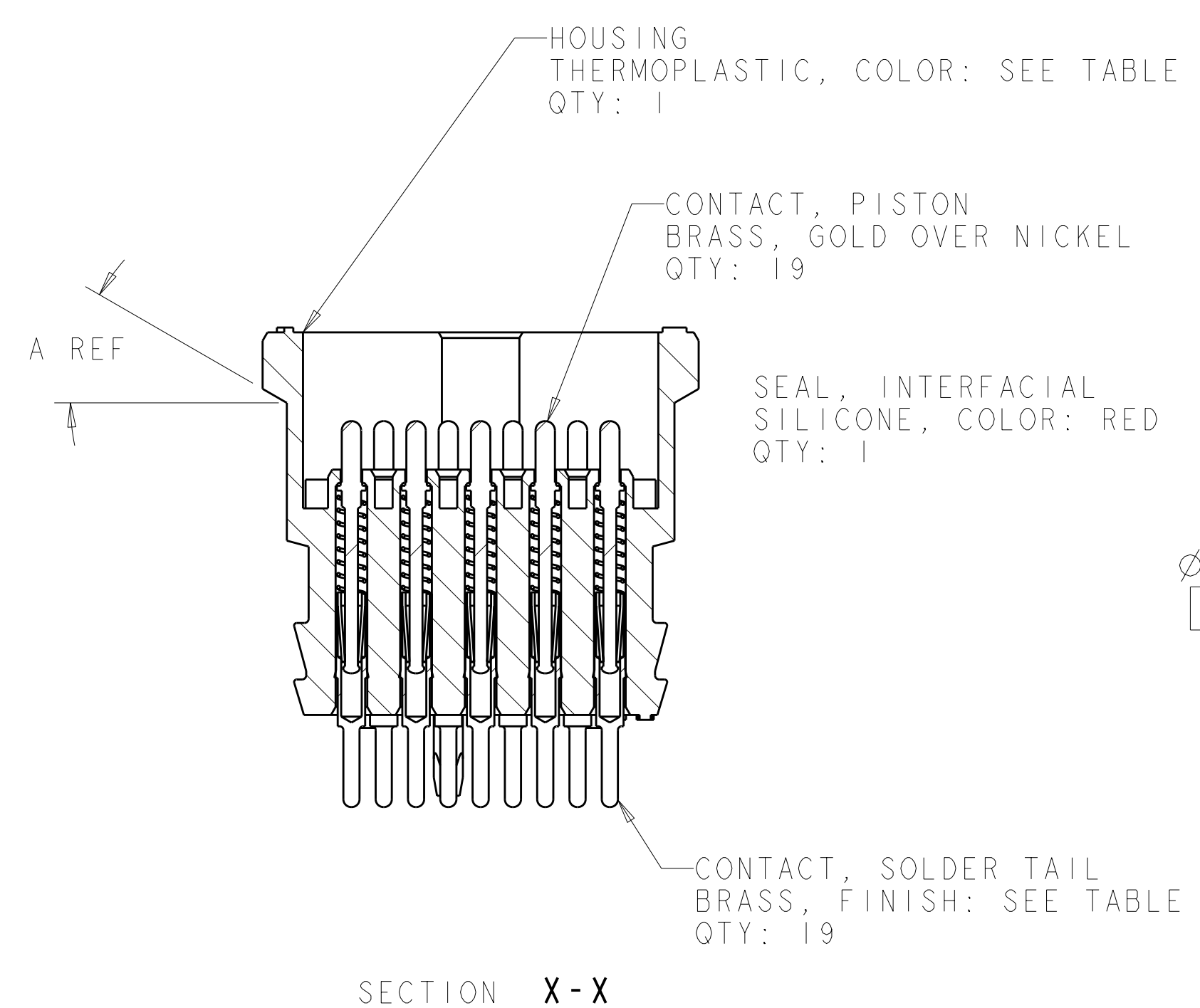
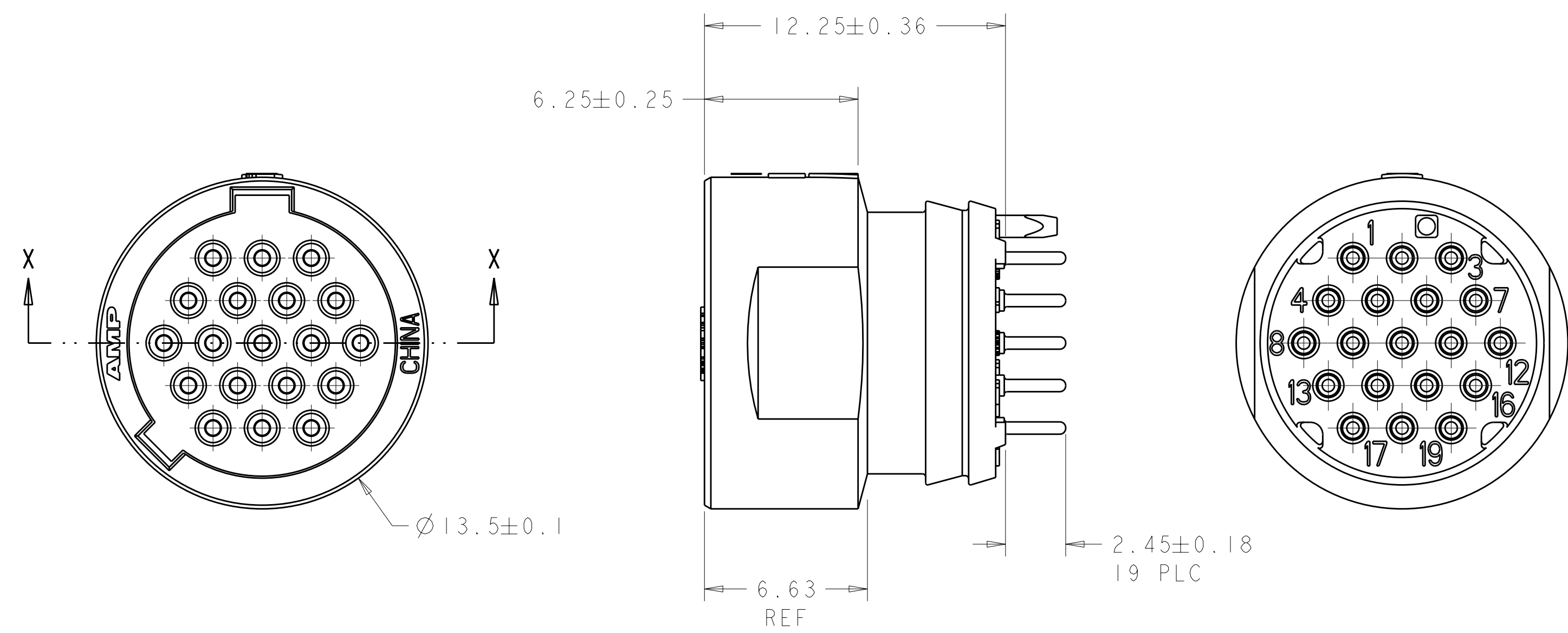
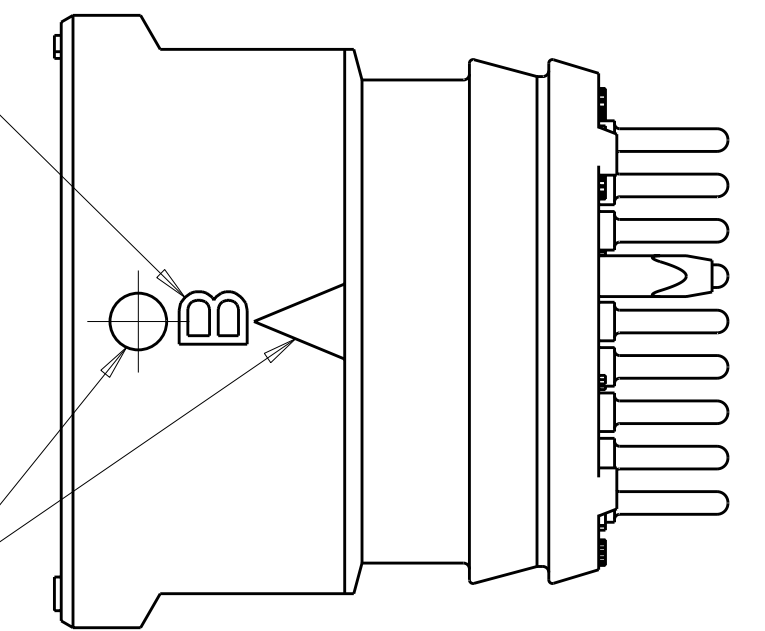


LOC	DIST	REVISIONS					
FT	0	P	LT#	DESCRIPTION	DATE	DWN	APVD
		A		RELEASED EC 063B-0570-04	27JUL2004	SW	HW
		B		REVISED EC 063B-0746-04	06OCT2004	SW	HW
		C		REVISED PER ECO-06-2703	24FEB2006	SS	DC
		C1		REVISED ECO-06-029818	02JAN2007	SW	DC

LATCH IDENTIFIER
 B-BREAKAWAY LATCH, BREAKAWAY VERSION ONLY,
 MAY BE ORIENTED IN ANY DIRECTION

ALIGNMENT INDICATORS



SUGGESTED PRINTED CIRCUIT BOARD LAYOUT

11	4-7, 9, 10, 11, 13-16	TIN OVER NICKEL	30°	WHITE	BREAKAWAY	4-1445756-3
11	4-7, 9, 10, 11, 13-16	TIN OVER NICKEL	0°	BLACK	POSITIVE	4-1445756-2
10	4-7, 9, 11, 13-16	TIN OVER NICKEL	30°	WHITE	BREAKAWAY	4-1445756-1
10	4-7, 9, 11, 13-16	TIN OVER NICKEL	0°	BLACK	POSITIVE	4-1445756-0
9	1, 3, 5, 6, 10, 14, 15, 17, 19	TIN OVER NICKEL	30°	WHITE	BREAKAWAY	3-1445756-9
9	1, 3, 5, 6, 10, 14, 15, 17, 19	TIN OVER NICKEL	0°	BLACK	POSITIVE	3-1445756-8
8	1, 3, 5, 6, 14, 15, 17, 19	TIN OVER NICKEL	30°	WHITE	BREAKAWAY	3-1445756-7
8	1, 3, 5, 6, 14, 15, 17, 19	TIN OVER NICKEL	0°	BLACK	POSITIVE	3-1445756-6
12	1-4, 7, 8, 12, 13, 16-19	TIN OVER NICKEL	30°	WHITE	BREAKAWAY	3-1445756-5
12	1-4, 7, 8, 12, 13, 16-19	TIN OVER NICKEL	0°	BLACK	POSITIVE	3-1445756-4
13	1-4, 7, 8, 10, 12, 13, 16-19	TIN OVER NICKEL	30°	WHITE	BREAKAWAY	3-1445756-3
13	1-4, 7, 8, 10, 12, 13, 16-19	TIN OVER NICKEL	0°	BLACK	POSITIVE	3-1445756-2
14	1-4, 7-9, 11-13, 16-19	TIN OVER NICKEL	30°	WHITE	BREAKAWAY	3-1445756-1
14	1-4, 7-9, 11-13, 16-19	TIN OVER NICKEL	0°	BLACK	POSITIVE	3-1445756-0
15	1-4, 7-13, 16-19	TIN OVER NICKEL	30°	WHITE	BREAKAWAY	2-1445756-9
15	1-4, 7-13, 16-19	TIN OVER NICKEL	0°	BLACK	POSITIVE	2-1445756-8
16	1-8, 12-19	TIN OVER NICKEL	30°	WHITE	BREAKAWAY	2-1445756-7
16	1-8, 12-19	TIN OVER NICKEL	0°	BLACK	POSITIVE	2-1445756-6
17	1-8, 10, 12-19	TIN OVER NICKEL	30°	WHITE	BREAKAWAY	2-1445756-5
17	1-8, 10, 12-19	TIN OVER NICKEL	0°	BLACK	POSITIVE	2-1445756-4
18	1-9, 11-19	TIN OVER NICKEL	30°	WHITE	BREAKAWAY	2-1445756-3
18	1-9, 11-19	TIN OVER NICKEL	0°	BLACK	POSITIVE	2-1445756-2
19	ALL	TIN OVER NICKEL	30°	WHITE	BREAKAWAY	2-1445756-1
19	ALL	TIN OVER NICKEL	0°	BLACK	POSITIVE	2-1445756-0
12	1-4, 7, 8, 12, 13, 16-19	TIN-LEAD OVER NICKEL	30°	WHITE	BREAKAWAY	1-1445756-6
12	1-4, 7, 8, 12, 13, 16-19	TIN-LEAD OVER NICKEL	0°	BLACK	POSITIVE	1-1445756-5
13	1-4, 7, 8, 10, 12, 13, 16-19	TIN-LEAD OVER NICKEL	30°	WHITE	BREAKAWAY	1-1445756-4
13	1-4, 7, 8, 10, 12, 13, 16-19	TIN-LEAD OVER NICKEL	0°	BLACK	POSITIVE	1-1445756-3
14	1-4, 7-9, 11-13, 16-19	TIN-LEAD OVER NICKEL	30°	WHITE	BREAKAWAY	1-1445756-2
14	1-4, 7-9, 11-13, 16-19	TIN-LEAD OVER NICKEL	0°	BLACK	POSITIVE	1-1445756-1
15	1-4, 7-13, 16-19	TIN-LEAD OVER NICKEL	30°	WHITE	BREAKAWAY	1-1445756-0
15	1-4, 7-13, 16-19	TIN-LEAD OVER NICKEL	0°	BLACK	POSITIVE	1445756-9
16	1-8, 12-19	TIN-LEAD OVER NICKEL	30°	WHITE	BREAKAWAY	1445756-8
16	1-8, 12-19	TIN-LEAD OVER NICKEL	0°	BLACK	POSITIVE	1445756-7
17	1-8, 10, 12-19	TIN-LEAD OVER NICKEL	30°	WHITE	BREAKAWAY	1445756-6
17	1-8, 10, 12-19	TIN-LEAD OVER NICKEL	0°	BLACK	POSITIVE	1445756-5
18	1-9, 11-19	TIN-LEAD OVER NICKEL	30°	WHITE	BREAKAWAY	1445756-4
18	1-9, 11-19	TIN-LEAD OVER NICKEL	0°	BLACK	POSITIVE	1445756-3
19	ALL	TIN-LEAD OVER NICKEL	30°	WHITE	BREAKAWAY	1445756-2
19	ALL	TIN-LEAD OVER NICKEL	0°	BLACK	POSITIVE	1445756-1

QTY	CIRCUITS LOADED	FINISH	A	COLOR	LATCH	PART NUMBER
CONTACTS			HOUSING			NUMBER

TYCO ELECTRONICS CORPORATION
 13AUG2001
 SHANE WUEST
 G DOUTY
 H WAKEEM
 27JUL2004

TYCO ELECTRONICS
 Harrisburg, PA 17105-3608

ASSEMBLY, RECEPTACLE, FREE HANGING, SPRING PROBE, 19 POSITION, MICRO CPC

SIZE: 00779 C=1445756

SCALE: 6:1 SHEET 1 OF 1 REV: C1