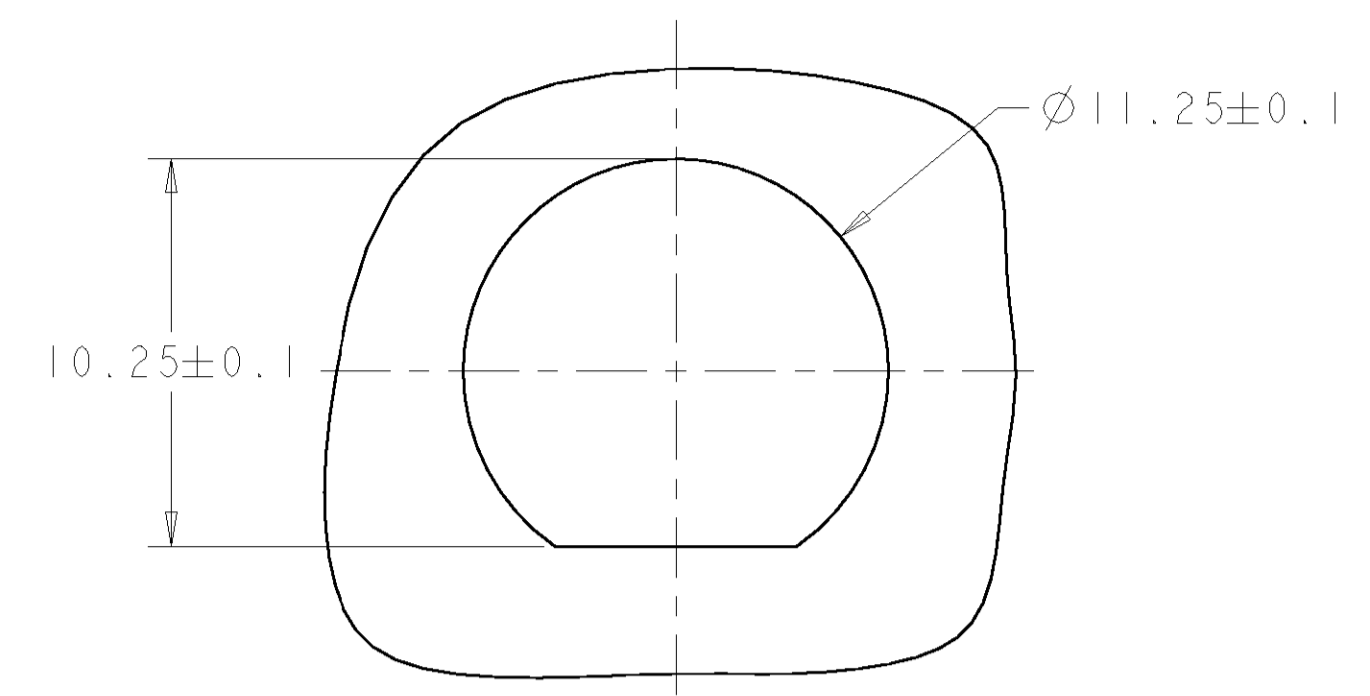
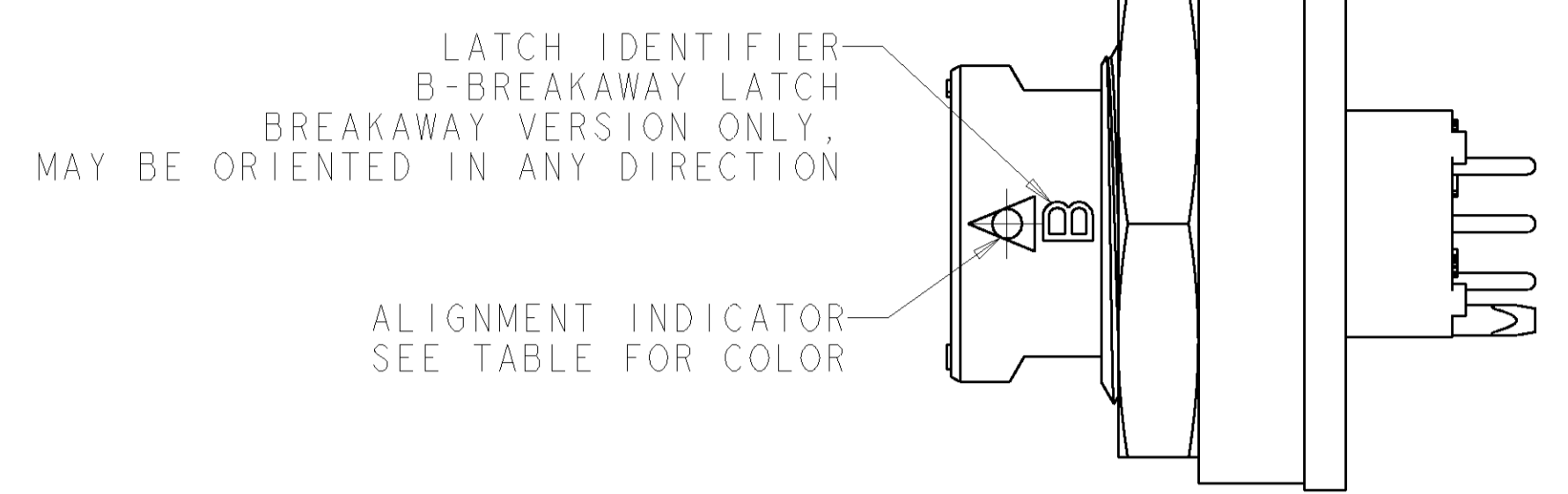
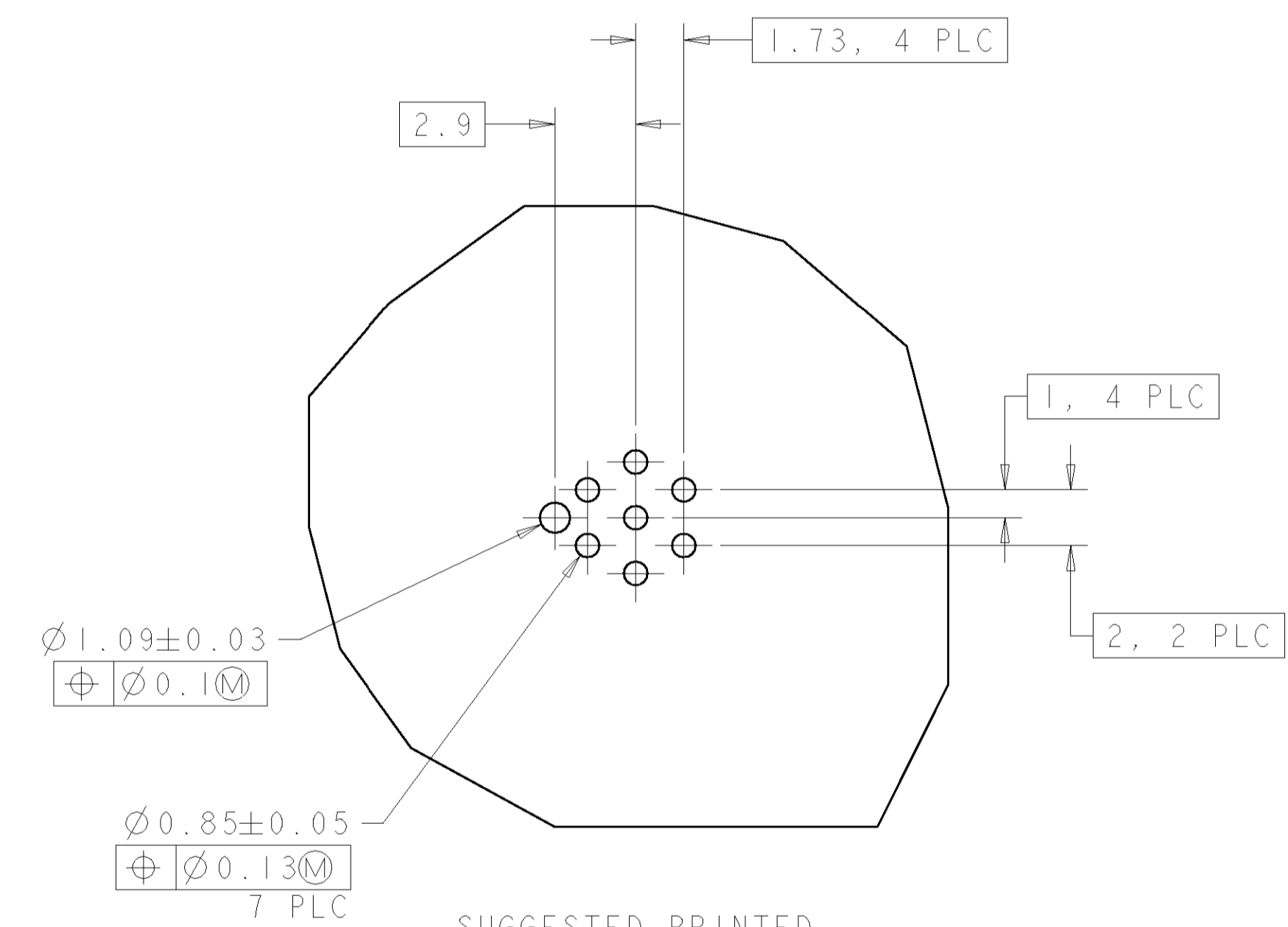
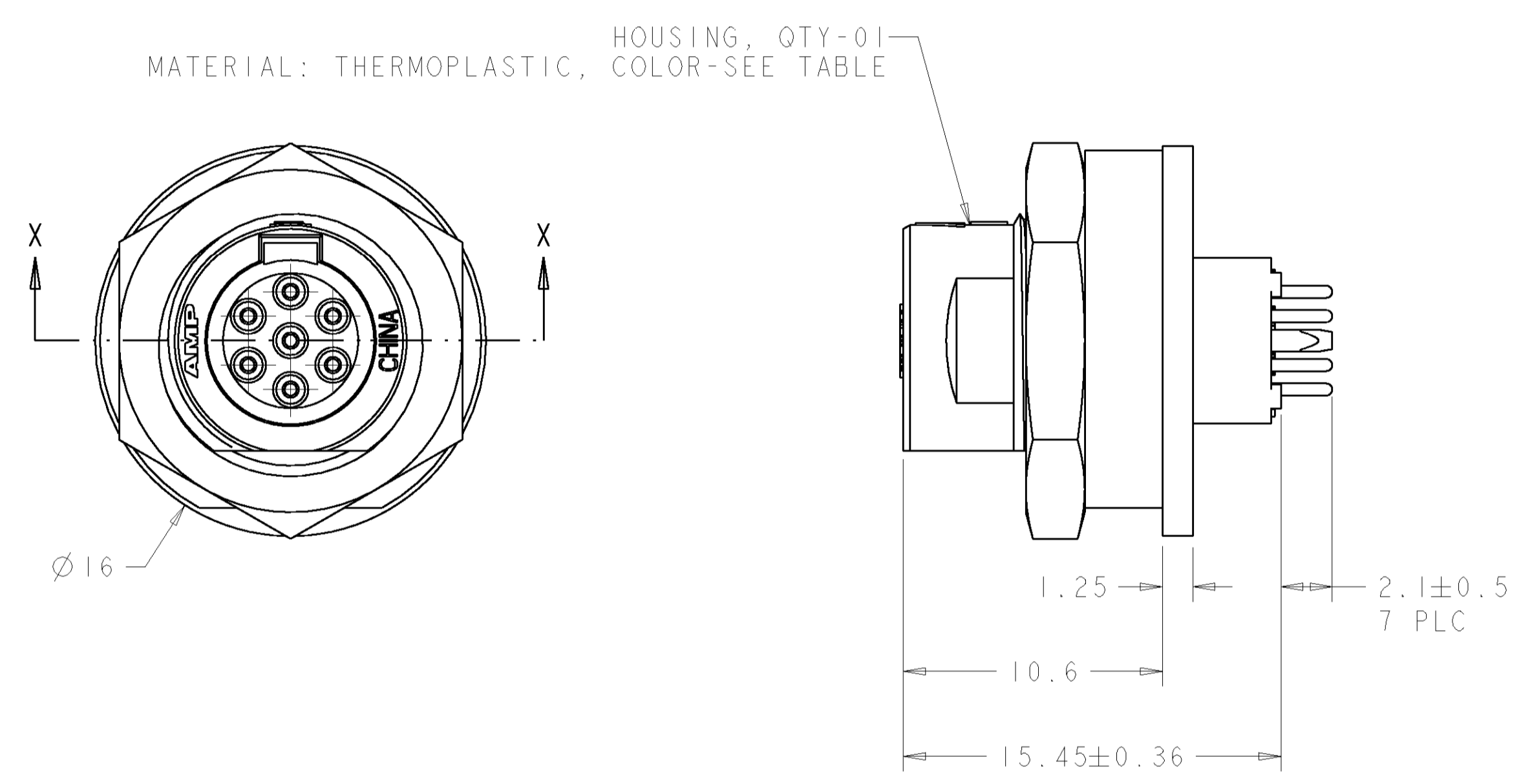


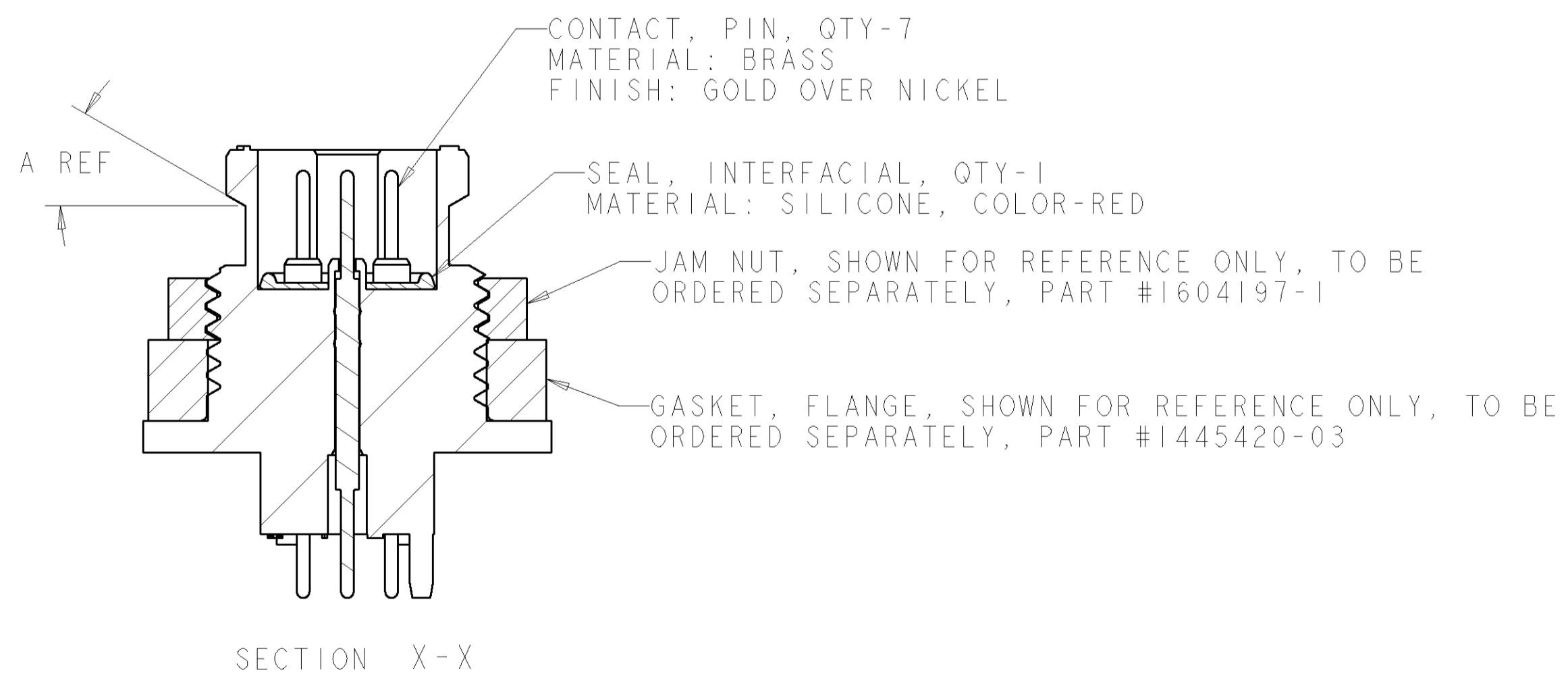
LOC		DIST		REVISIONS			
FT	0	P	LTR	DESCRIPTION	DATE	DWN	APVD
		A		RELEASED EC 0638-0570-04	28JUL2004	SW	HW



SUGGESTED PANEL CUTOUT
 3.18 MAX PANEL THICKNESS



SUGGESTED PRINTED
 CIRCUIT BOARD LAYOUT



WHITE	WHITE	1,7	BREAKAWAY	30°	1-1445720-2
BLACK	WHITE	1,7	POSITIVE	0°	1-1445720-1
WHITE	WHITE	2,3,7	BREAKAWAY	30°	1-1445720-0
BLACK	WHITE	2,3,7	POSITIVE	0°	1445720-09
WHITE	WHITE	2,3,5,6	BREAKAWAY	30°	1445720-08
BLACK	WHITE	2,3,5,6	POSITIVE	0°	1445720-07
WHITE	WHITE	2,3,4,5,6	BREAKAWAY	30°	1445720-06
BLACK	WHITE	2,3,4,5,6	POSITIVE	0°	1445720-05
WHITE	WHITE	1,2,3,5,6,7	BREAKAWAY	30°	1445720-04
BLACK	WHITE	1,2,3,5,6,7	POSITIVE	0°	1445720-03
WHITE	WHITE	ALL	BREAKAWAY	30°	1445720-02
BLACK	WHITE	ALL	POSITIVE	0°	1445720-01
HOUSING COLOR	INDICATOR COLOR	CONTACT CIRCUITS	LATCH	A REF	PART NUMBER

DIMENSIONS:		TOLERANCES UNLESS OTHERWISE SPECIFIED:		DWN SHANE WIEST 01AUG2001		Tyco Electronics Harrisburg, PA 17105-3608	
mm	0 PLC ±	1 PLC ±	2-5 PLC ±0.13	6-7 PLC ±	ENR G DOUTY 01AUG2001	NAME ASSEMBLY, RECEPTACLE, SOLDER TAIL, PANEL MOUNT, 7 POSITION, MICRO CPC	
	ANGLES ±	FINISH SEE CALLOUT	OTHERWISE SPECIFIED:	APVD H WAKEEM 28JUL2004	PRODUCT SPEC	SIZE	RESTRICTED TO
MATERIAL SEE CALLOUT	FINISH SEE CALLOUT	WEIGHT	APPLICATION SPEC	SCALE 5:1	APPLICATION SPEC	SHEET 1 OF 1	REV A
CUSTOMER DRAWING				A100779C=1445720			