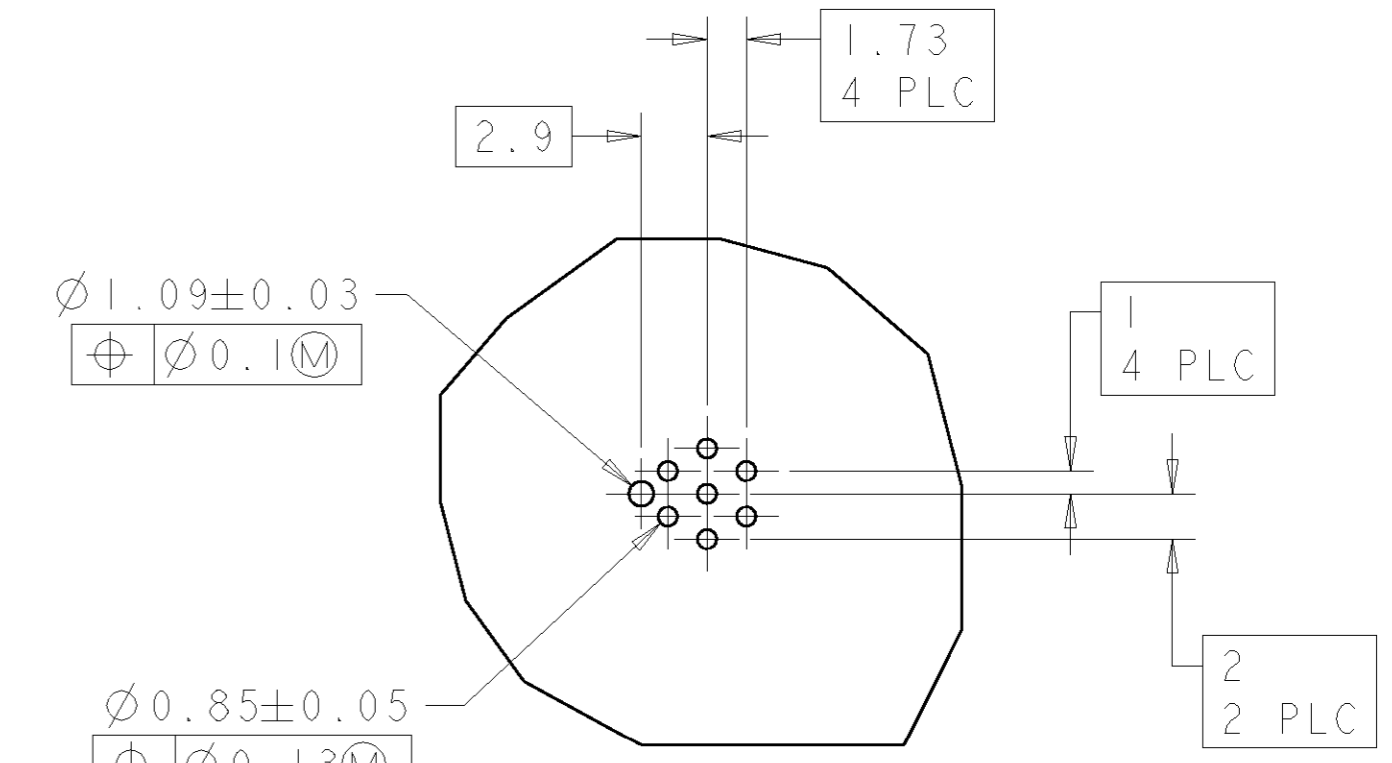
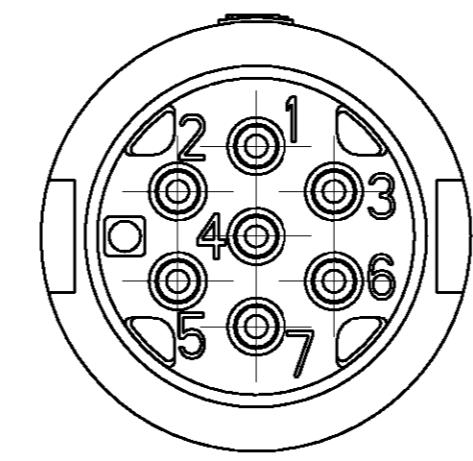
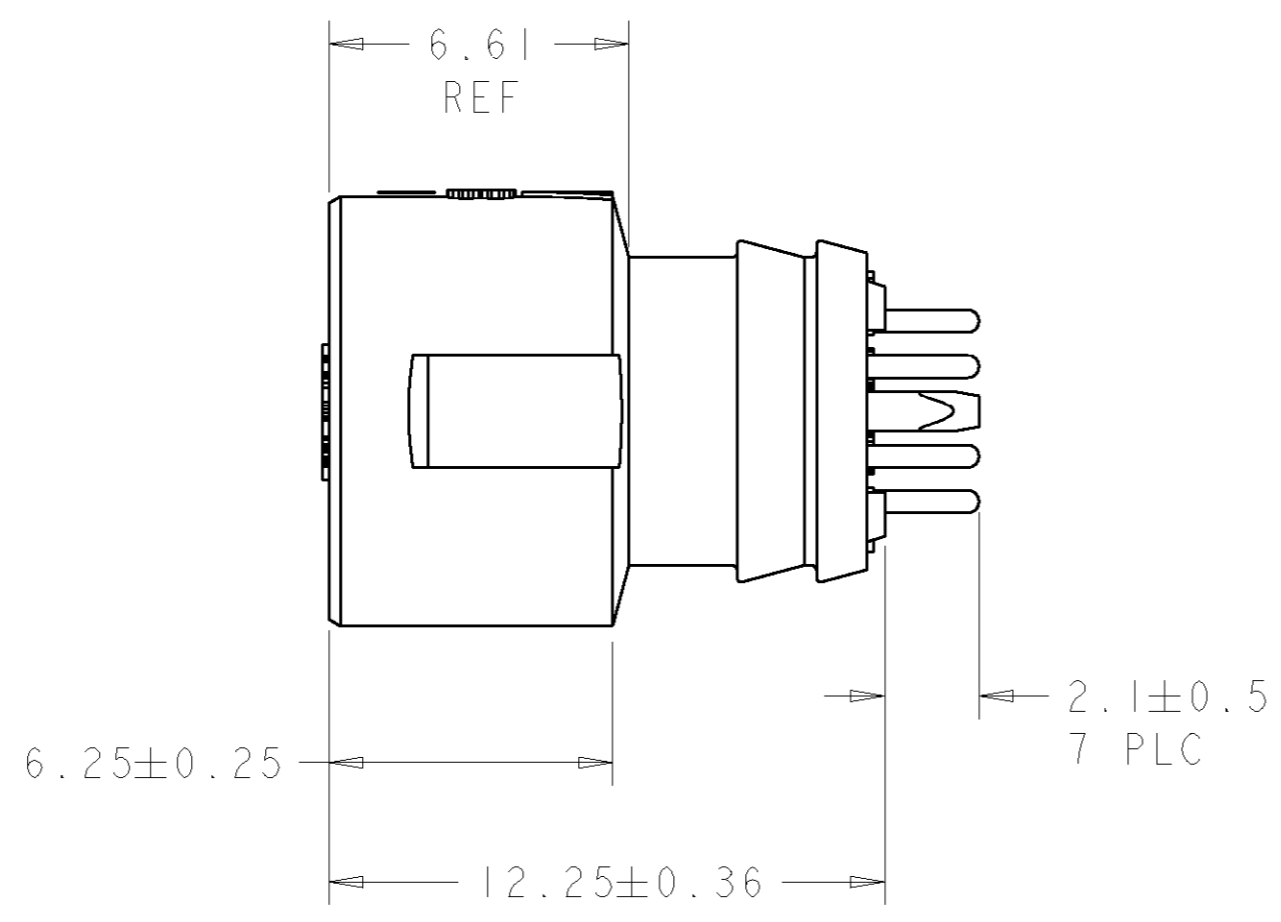
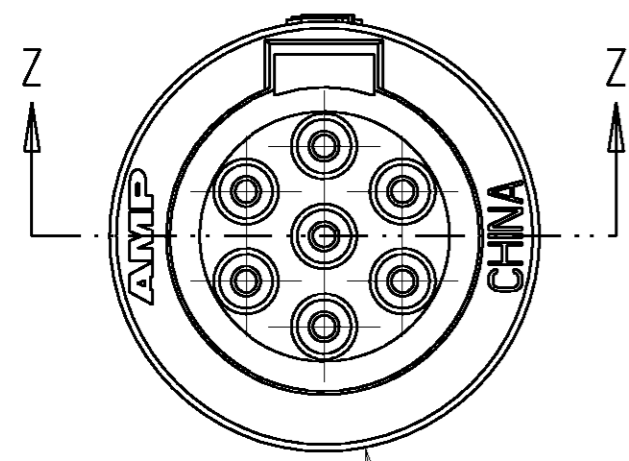


THIS DRAWING IS UNPUBLISHED. RELEASED FOR PUBLICATION 20
 © COPYRIGHT 20 BY TYCO ELECTRONICS CORPORATION. ALL RIGHTS RESERVED.

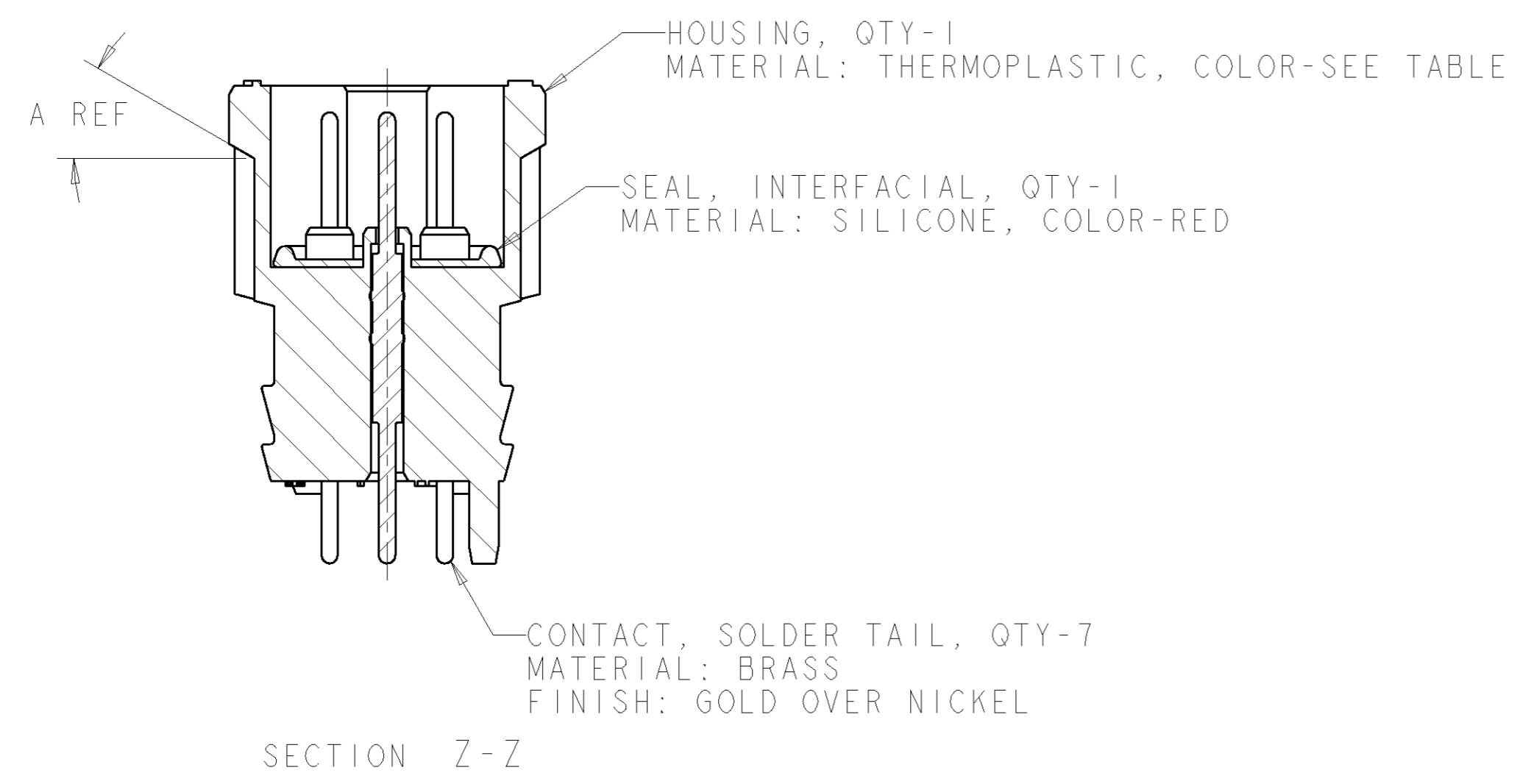
LOC	DIST	REVISIONS			
P	LTR	DESCRIPTION	DATE	DWN	APVD
	B	RELEASED EC 063B-0570-04	27JUL2004	SW	HW

LATCH IDENTIFIER, B-BREAKAWY LATCH
 BREAKAWAY VERSION ONLY,
 MAY BE ORIENTED IN ANY DIRECTION

ALIGNMENT INDICATORS
 SEE TABLE FOR COLOR



SUGGESTED PRINTED CIRCUIT BOARD LAYOUT



WHITE	WHITE	1,7	BREAKAWAY	30°	1-1445691-2
BLACK	WHITE	1,7	POSITIVE	0°	1-1445691-1
WHITE	WHITE	2,3,7	BREAKAWAY	30°	1-1445691-0
BLACK	WHITE	2,3,7	POSITIVE	0°	1445691-09
WHITE	WHITE	2,3,5,6	BREAKAWAY	30°	1445691-08
BLACK	WHITE	2,3,5,6	POSITIVE	0°	1445691-07
WHITE	WHITE	2,3,4,5,6	BREAKAWAY	30°	1445691-06
BLACK	WHITE	2,3,4,5,6	POSITIVE	0°	1445691-05
WHITE	WHITE	1,2,3,5,6,7	BREAKAWAY	30°	1445691-04
BLACK	WHITE	1,2,3,5,6,7	POSITIVE	0°	1445691-03
WHITE	WHITE	ALL	BREAKAWAY	30°	1445691-02
BLACK	WHITE	ALL	POSITIVE	0°	1445691-01
HOUSING COLOR	INDICATOR COLOR	CONTACT CIRCUITS	LATCH	A REF	PART NUMBER

THIS DRAWING IS A CONTROLLED DOCUMENT FOR TYCO ELECTRONICS CORPORATION. IT IS SUBJECT TO CHANGE AND THE CONTROLLING ENGINEERING ORGANIZATION SHOULD BE CONTACTED FOR THE LATEST REVISION.

DWN: SHANE WIESE, 20JUL2001
 CHK: G. DOUITY, 20JUL2001
 APVD: H. WAKEEM, 27JUL2004

tyco Electronics
 Tyco Electronics
 Harrisburg, PA 17105-3608

NAME: ASSEMBLY, RECEPTACLE, FREE HANGING, PIN CONTACT, SOLDER POST, 7 POSITION, MICRO CPC
 SIZE: A2, CAGE CODE: 00779, DRAWING NO: 1445691, RESTRICTED TO: -

DIMENSIONS: mm
 TOLERANCES UNLESS OTHERWISE SPECIFIED:
 0 PLC ±
 1 PLC ±
 2 PLC ±0.13
 3 PLC ±
 4 PLC ±
 ANGLES ±
 FINISH SEE NOTE

MATERIAL: SEE NOTE

PRODUCT SPEC: -
 APPLICATION SPEC: -
 WEIGHT: -

CUSTOMER DRAWING

SCALE: 6:1, SHEET 1 OF 1, REV B