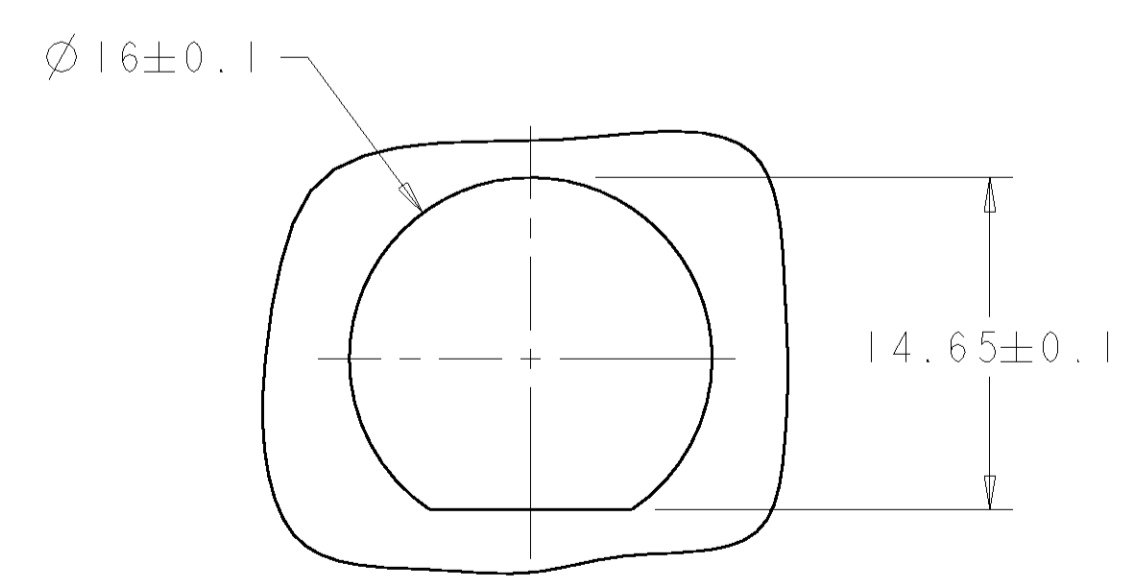
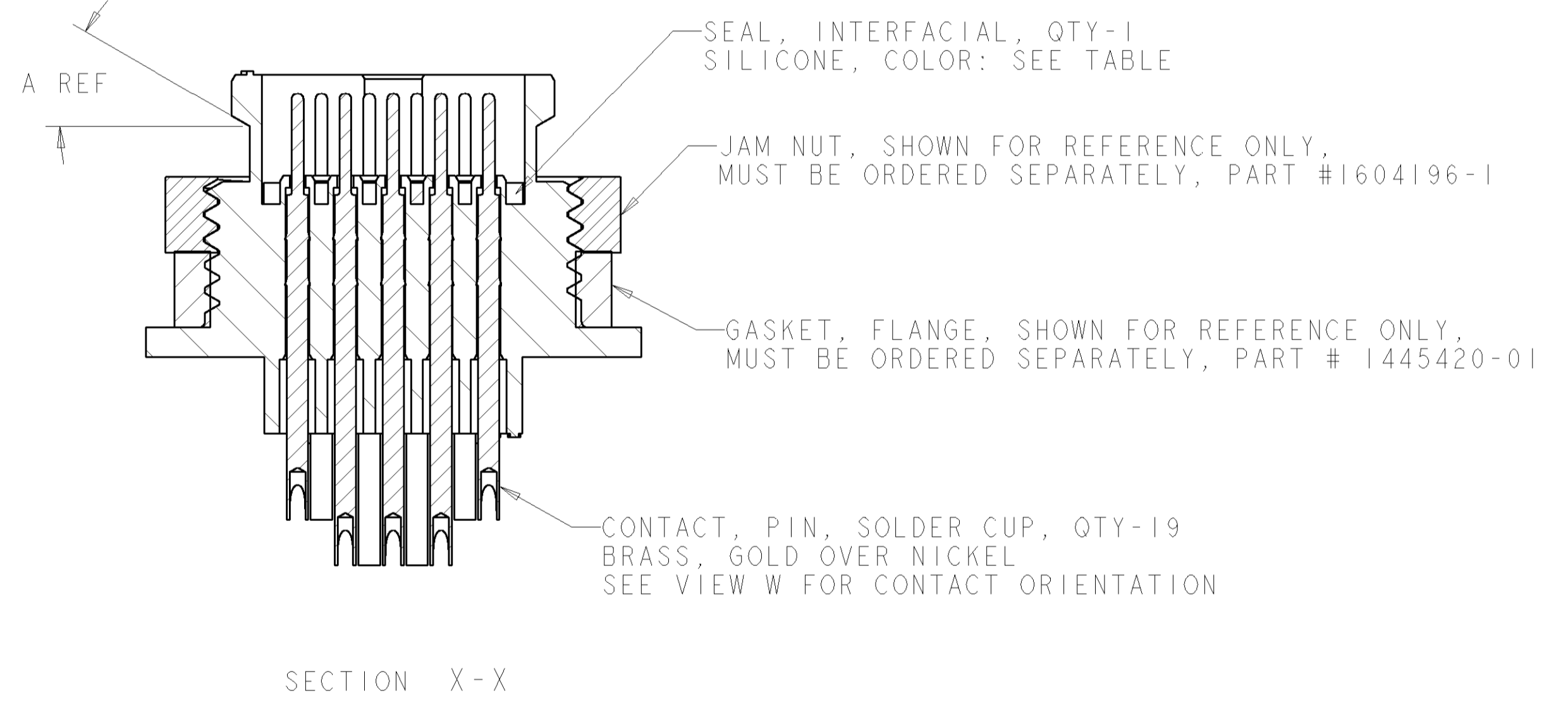
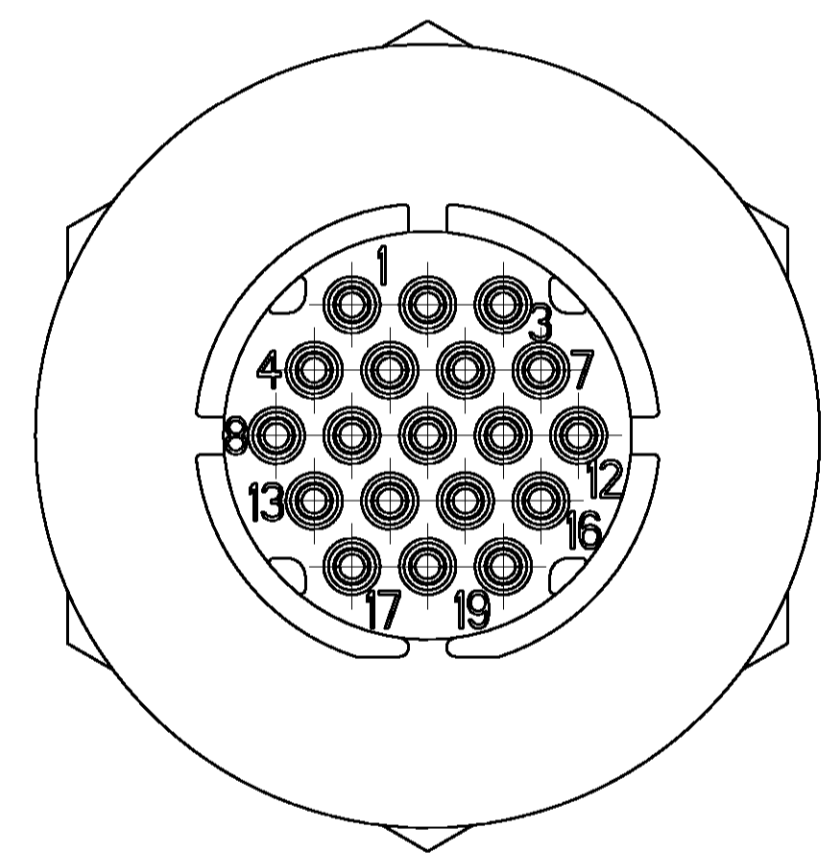
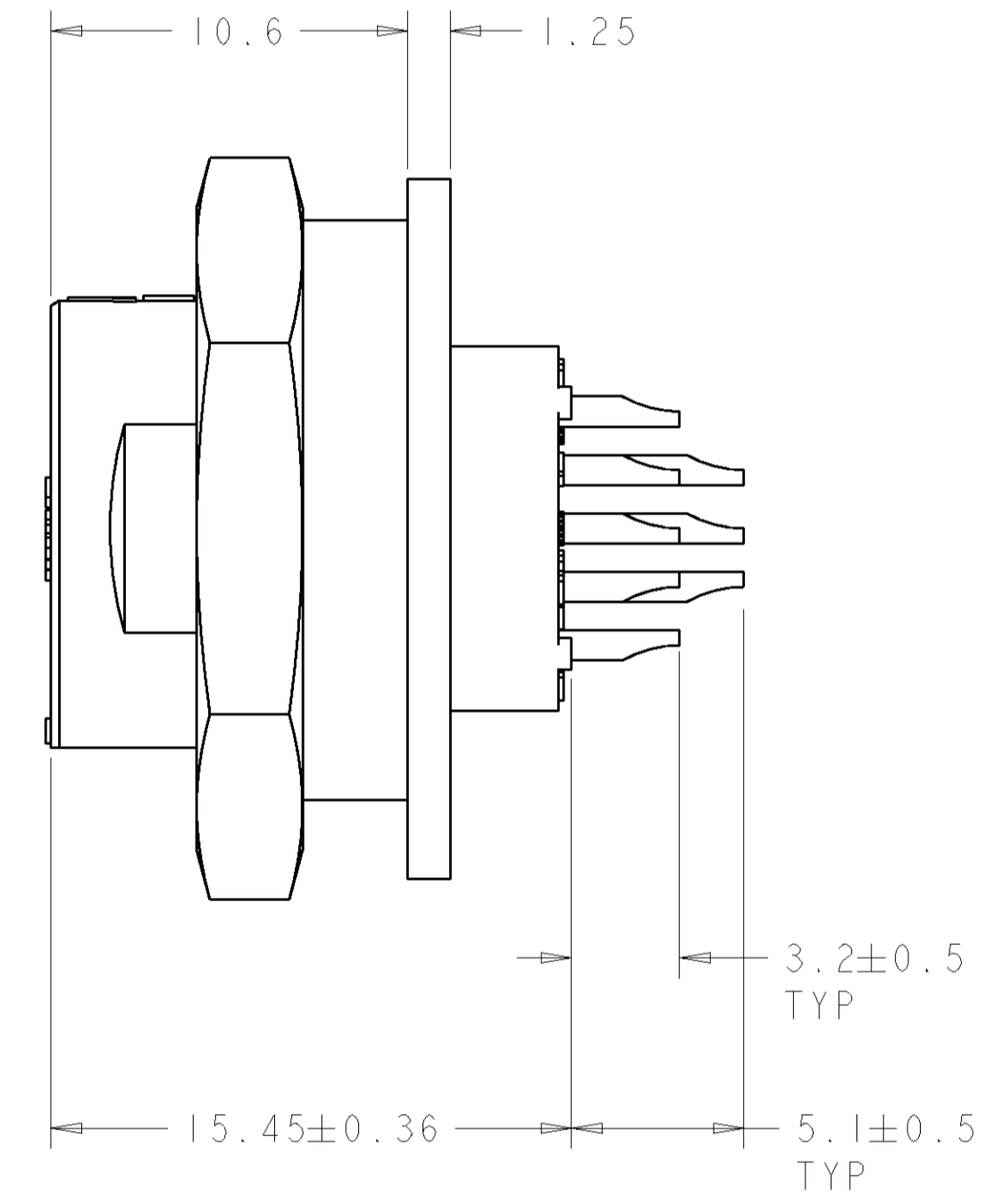
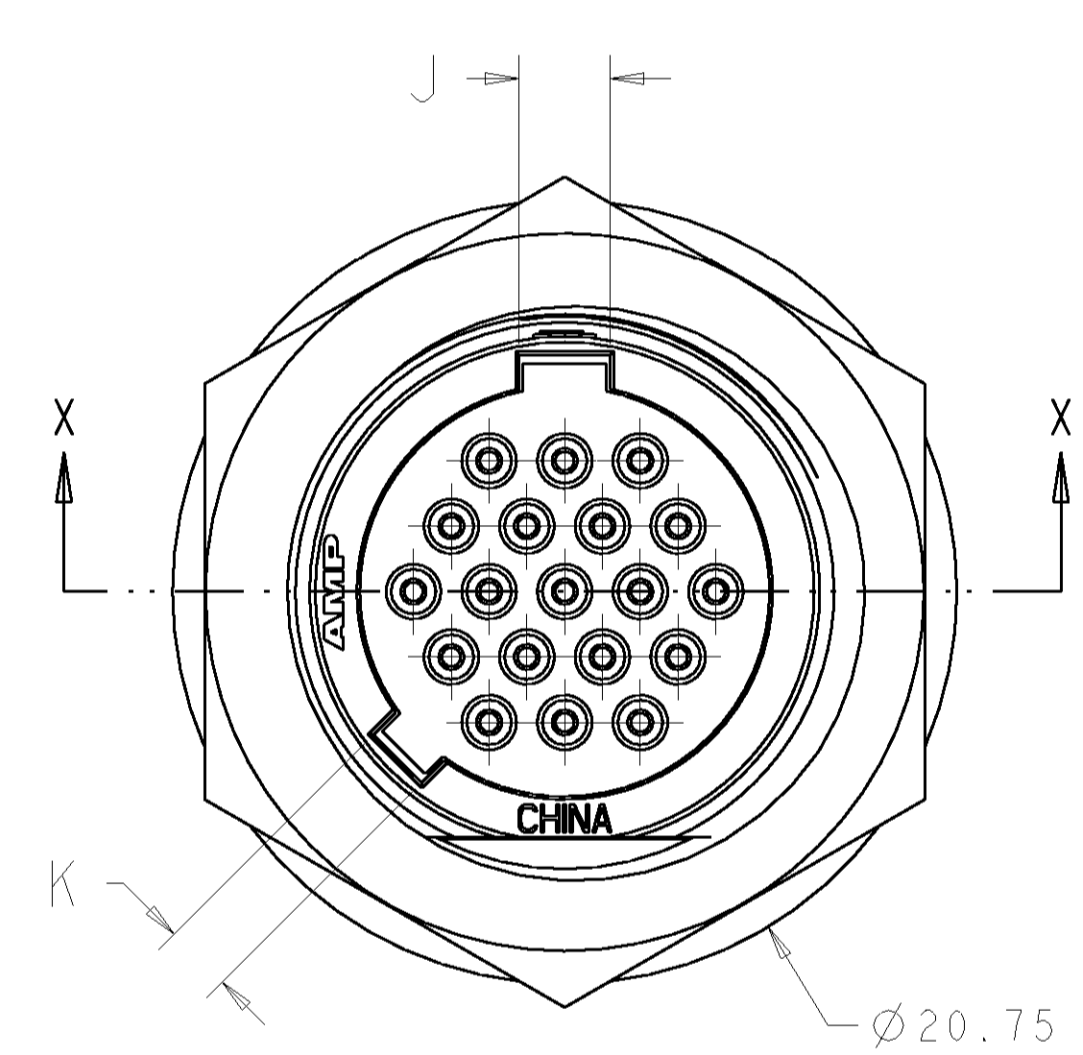
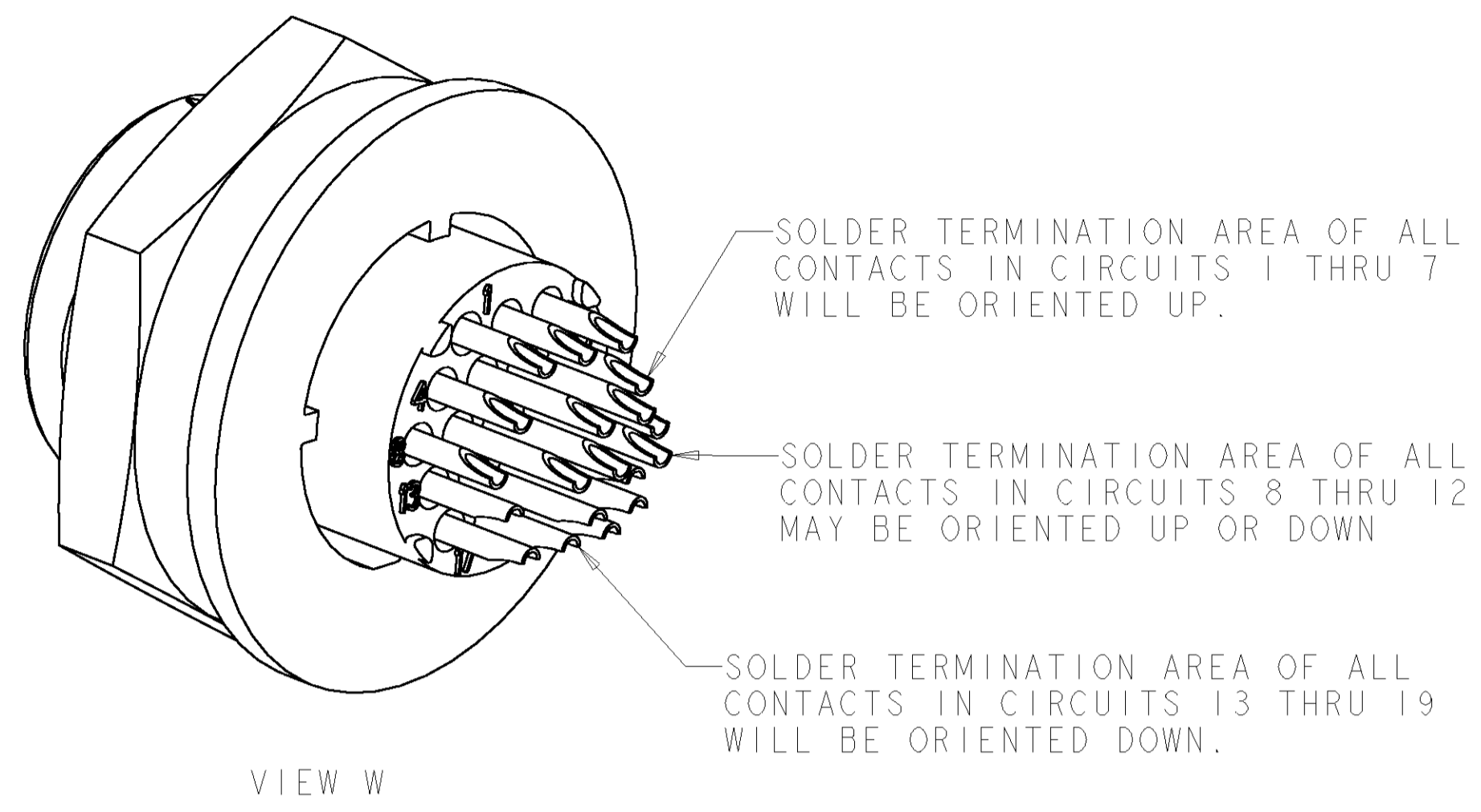
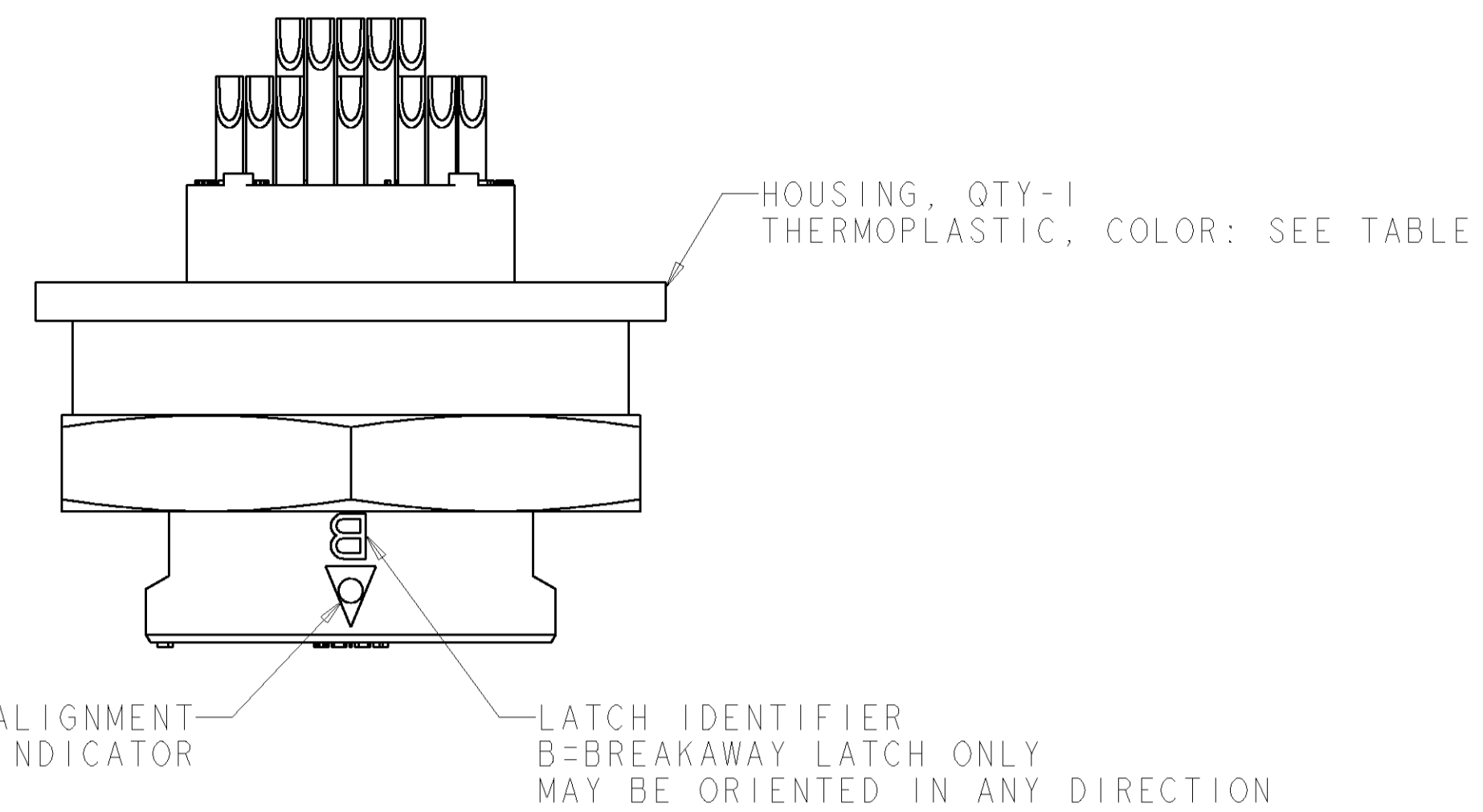


LOC		DIST		REVISIONS			
FT	0	P	LTR	DESCRIPTION	DATE	DWN	APVD
		F		REVISED EC 063B-1150-04	08DEC2004	SW	HW
		F1		REVISED ECO-06-029818	02JAN2007	SW	DC



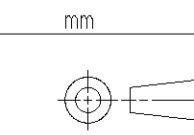
SUGGESTED PANEL CUTOUT
3.18 MAX PANEL THICKNESS

DIMENSIONS:		TOLERANCES UNLESS OTHERWISE SPECIFIED:		DWN SHANE WIEST 04SEP2001		tyco Tyco Electronics	
mm		0 PLC ±		ENR G DOUTY 04SEP2001		Harrisburg, PA 17105-3608	
Ø		1 PLC ±		APVD H WAKEEM 22JUN2004		NAME RECEPTACLE ASSY, 19 POSITION, FLANGE, SOLDER CUP, MICRO CPC	
H		2 PLC ±0.13		PRODUCT SPEC		SIZE CAGE CODE DRAWING NO RESTRICTED TO	
D		3 PLC ±		APPLICATION SPEC		A 100779 C=1445779	
R		4 PLC ±		WEIGHT		SCALE 5:1 SHEET 1 OF 2 REV F1	
ANGLES		FINISH		CUSTOMER DRAWING			
MATERIAL SEE CALLOUT		SEE CALLOUT					

LOC	DIST	REVISIONS					
FT	0	P	LTR	DESCRIPTION	DATE	DWN	APVD
-	-	-	-	SEE SHEET 1	-	-	-

△ PRELIMINARY PART NUMBER.

11	4-7,9,10,11,13-16	A	1.8	2.4	0°	POSITIVE	BLACK	4-1445779-3
10	4-7,9,11,13-16	A	1.8	2.4	0°	POSITIVE	BLACK	4-1445779-2
9	1,3,5,6,10,14,15,17,19	A	1.8	2.4	0°	POSITIVE	BLACK	4-1445779-1
8	1,3,5,6,14,15,17,19	A	1.8	2.4	0°	POSITIVE	BLACK	4-1445779-0
11	4-7,9,10,11,13-16	A	1.8	2.4	30°	BREAKAWAY	WHITE	2-1445779-1
10	4-7,9,11,13-16	A	1.8	2.4	30°	BREAKAWAY	WHITE	2-1445779-0
9	1,3,5,6,10,14,15,17,19	A	1.8	2.4	30°	BREAKAWAY	WHITE	1-1445779-9
8	1,3,5,6,14,15,17,19	A	1.8	2.4	30°	BREAKAWAY	WHITE	1-1445779-8
19	ALL	B	2.4	1.8	0°	POSITIVE	BLACK	1-1445779-7
12	1-4, 7,8,12,13, 16-19	A	1.8	2.4	30°	BREAKAWAY	WHITE	1-1445779-6 △
12	1-4, 7,8,12,13, 16-19	A	1.8	2.4	0°	POSITIVE	BLACK	1-1445779-5 △
13	1-4, 7,8,10,12,13, 16-19	A	1.8	2.4	30°	BREAKAWAY	WHITE	1-1445779-4 △
13	1-4, 7,8,10,12,13, 16-19	A	1.8	2.4	0°	POSITIVE	BLACK	1-1445779-3 △
14	1-4, 7-9, 11-13, 16-19	A	1.8	2.4	30°	BREAKAWAY	WHITE	1-1445779-2 △
14	1-4, 7-9, 11-13, 16-19	A	1.8	2.4	0°	POSITIVE	BLACK	1-1445779-1 △
15	1-4, 7-13, 16-19	A	1.8	2.4	30°	BREAKAWAY	WHITE	1-1445779-0 △
15	1-4, 7-13, 16-19	A	1.8	2.4	0°	POSITIVE	BLACK	1445779-9 △
16	1-8, 12-19	A	1.8	2.4	30°	BREAKAWAY	WHITE	1445779-8 △
16	1-8, 12-19	A	1.8	2.4	0°	POSITIVE	BLACK	1445779-7 △
17	1-8, 10, 12-19	A	1.8	2.4	30°	BREAKAWAY	WHITE	1445779-6 △
17	1-8, 10, 12-19	A	1.8	2.4	0°	POSITIVE	BLACK	1445779-5 △
18	1-9, 11-19	A	1.8	2.4	30°	BREAKAWAY	WHITE	1445779-4 △
18	1-9, 11-19	A	1.8	2.4	0°	POSITIVE	BLACK	1445779-3 △
19	ALL	A	1.8	2.4	30°	BREAKAWAY	WHITE	1445779-2
19	ALL	A	1.8	2.4	0°	POSITIVE	BLACK	1445779-1
QTY	SELECT LOADED IN CIRCUITS	CODE	K	J	A	DESCRIPTION	HOUSING COLOR	PART NUMBER
		KEYING CONFIGURATION			LATCH CONFIGURATION			

DIMENSIONS: mm 		TOLERANCES UNLESS OTHERWISE SPECIFIED: 0 PLC ± 1 PLC ±0.13 2 PLC ± 3 PLC ± 4 PLC ± ANGLES ± FINISH		DWN SHANE WIEST 04SEP2001 ENR G DOUTY 04SEP2001 APVD H WAKEEM 22JUN2004		tyco Tyco Electronics Harrisburg, PA 17105-3608	
MATERIAL		FINISH		WEIGHT		PRODUCT SPEC APPLICATION SPEC SIZE CAGE CODE DRAWING NO RESTRICTED TO A 100779 C=1445779	
CUSTOMER DRAWING				SCALE 4:1		SHEET 2 OF 2 REV F 1	