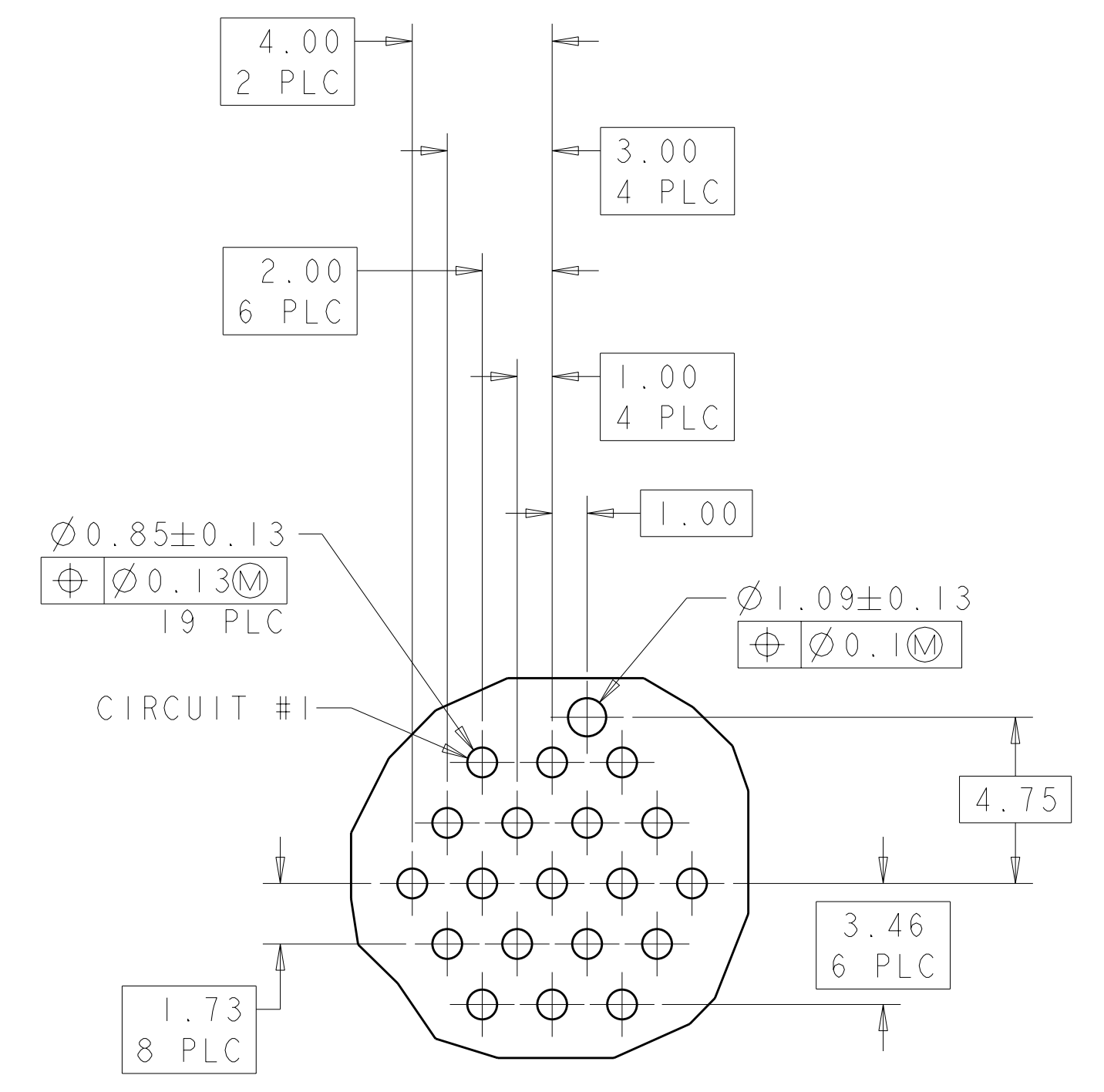
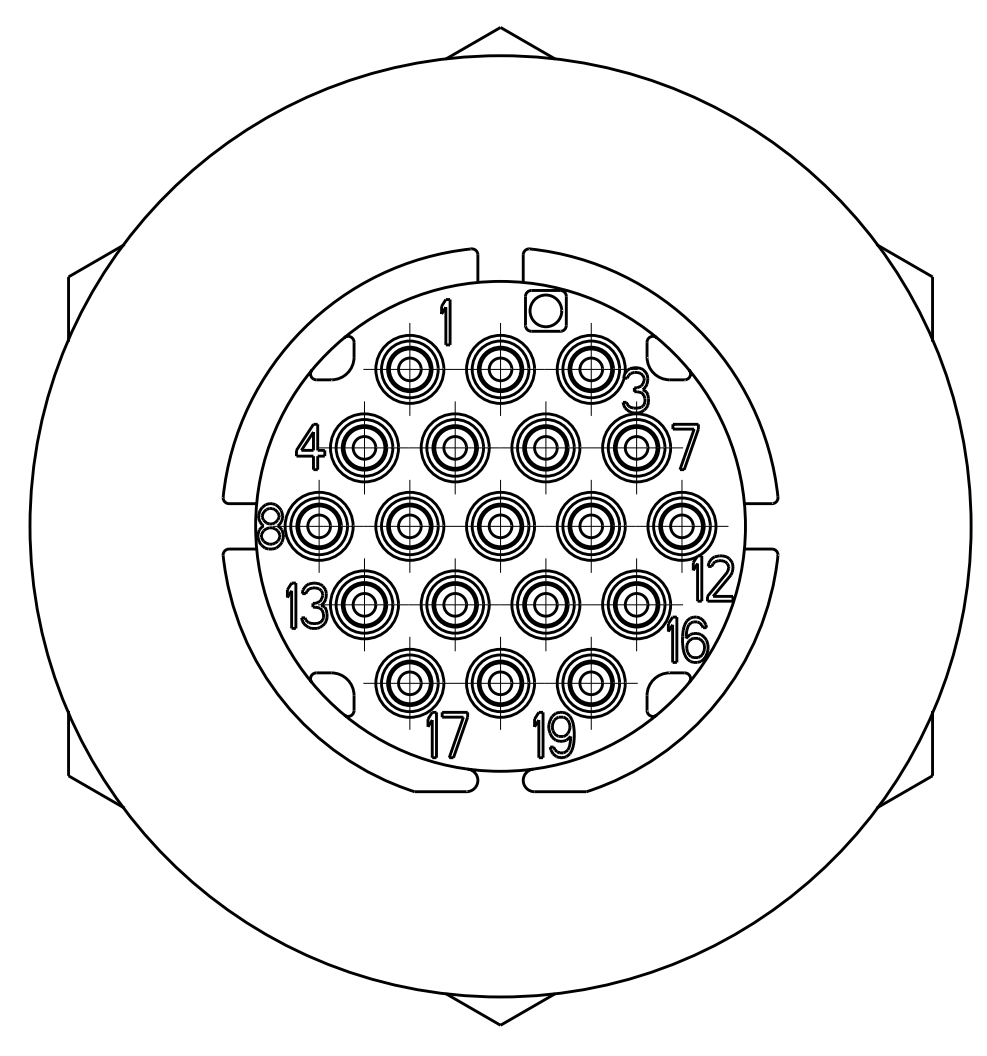
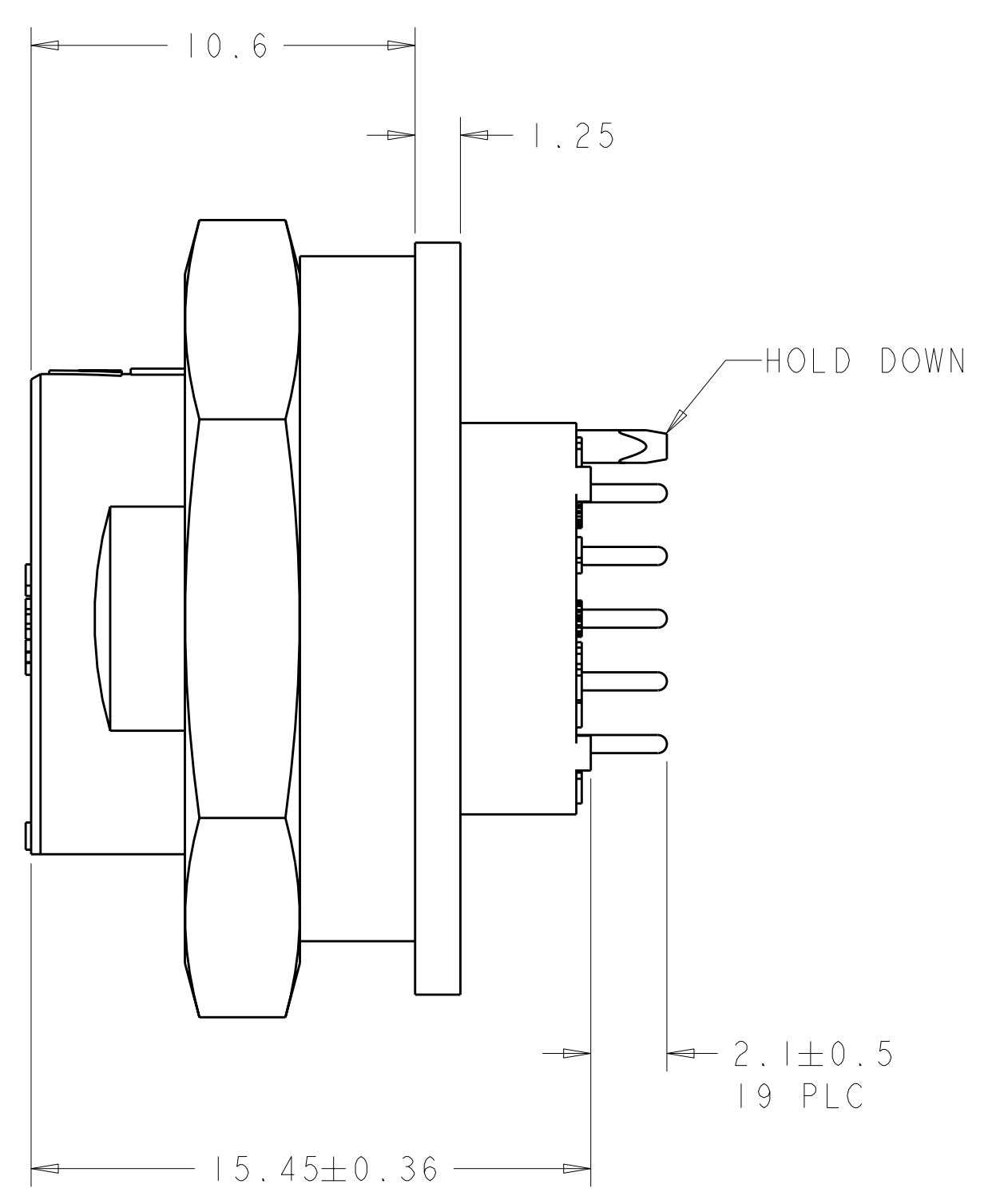
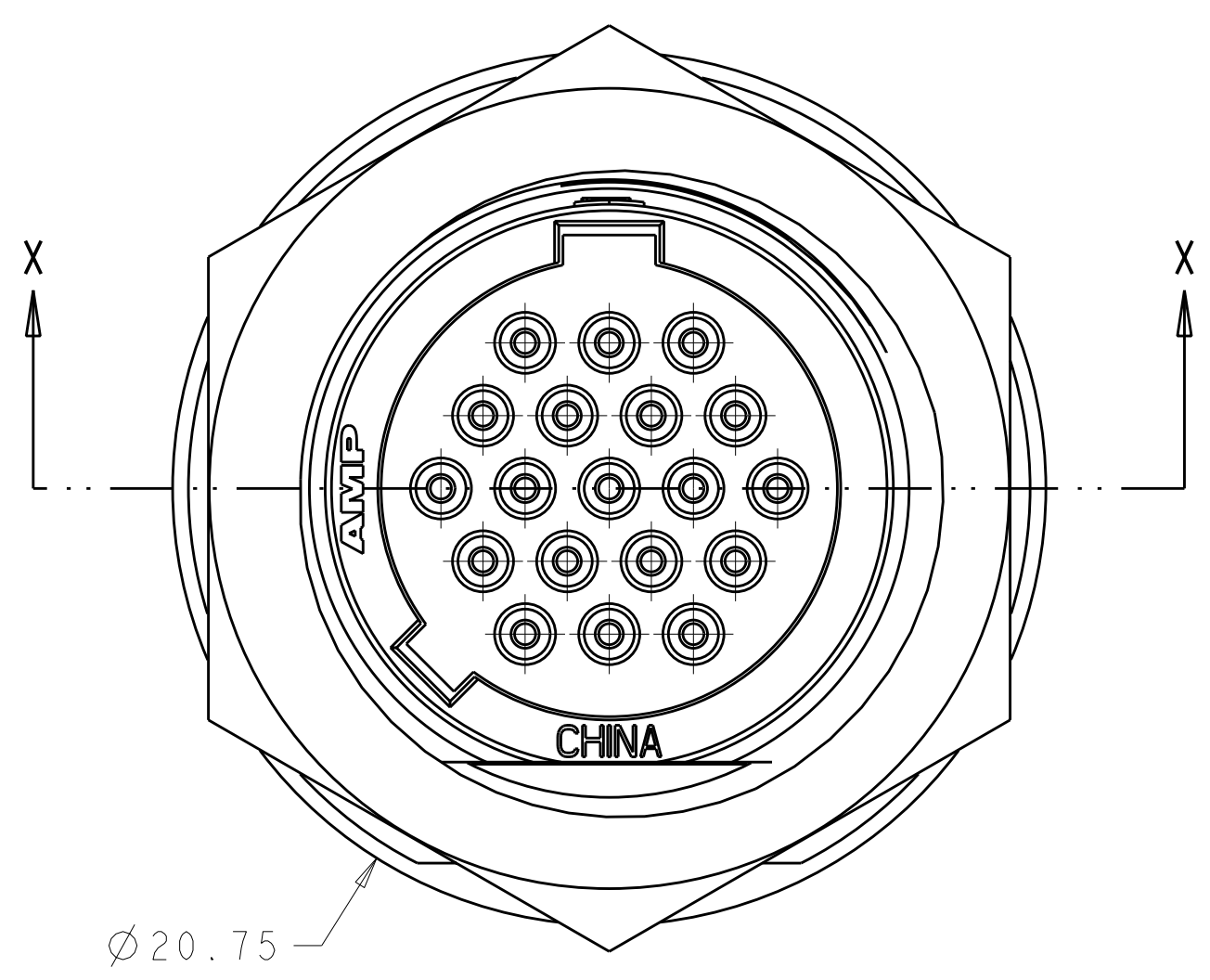
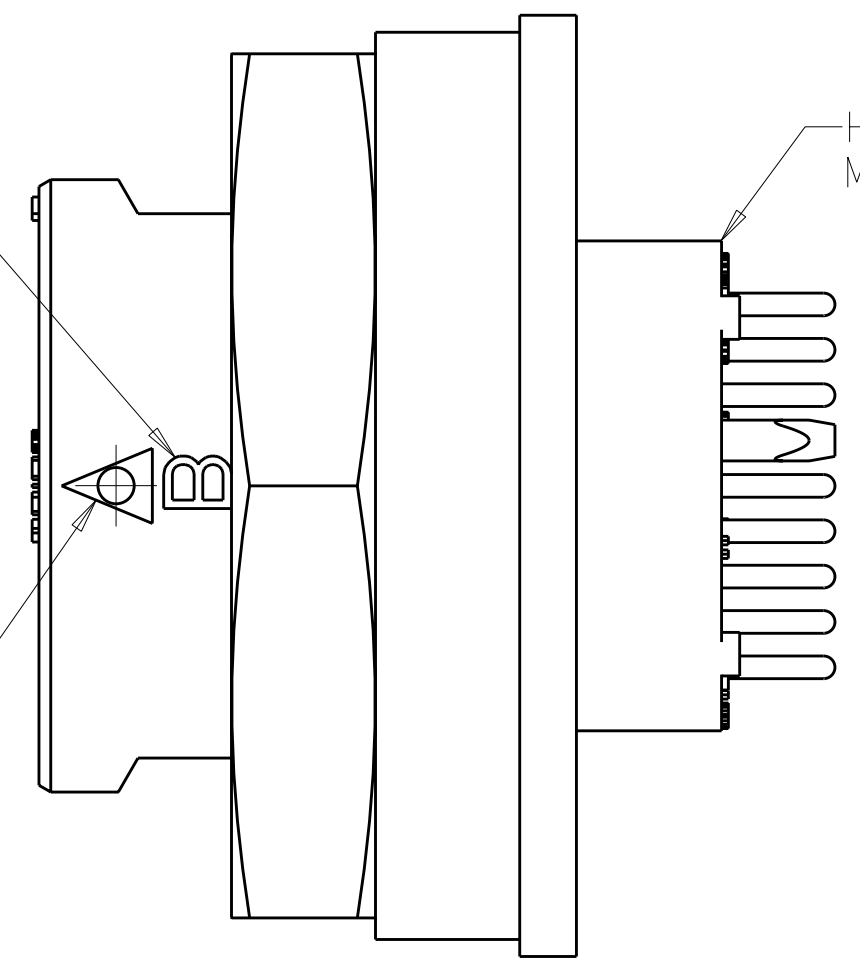


LOC	DIST	REV	DESCRIPTION	DATE	DWN	APVD
FT	0					
		D	REVISED ECO-06-013152	07JUN2006	SW	DC
		D1	REVISED ECO-06-029818	04JAN2007	SW	DC

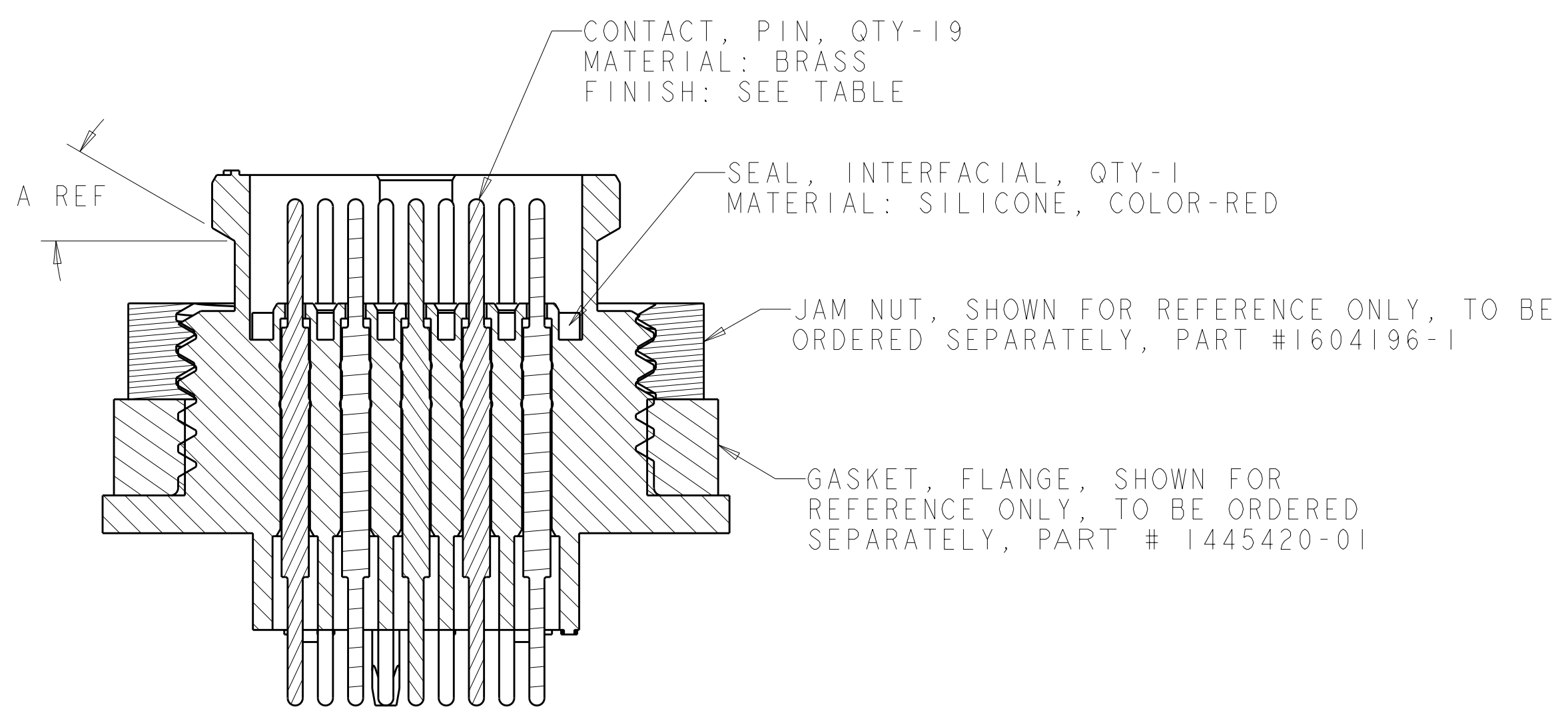
LATCH IDENTIFIER  
 B-BREAKAWAY LATCH  
 BREAKAWAY VERSION ONLY,  
 MAY BE ORIENTED IN ANY DIRECTION

HOUSING, QTY: 1  
 MATERIAL: THERMOPLASTIC, COLOR-SEE TABLE

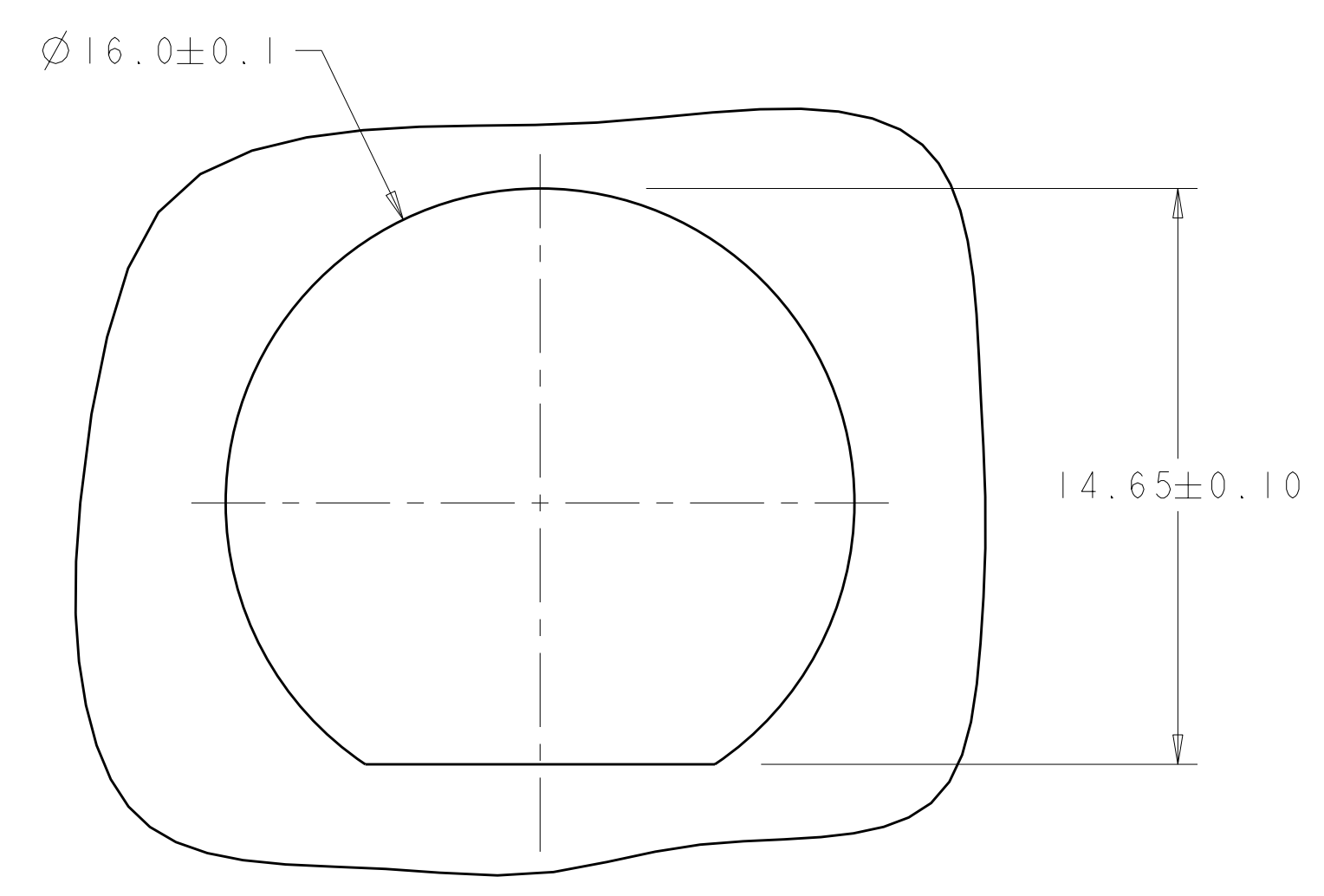
ALIGNMENT INDICATOR



SUGGESTED PRINTED CIRCUIT BOARD LAYOUT



SECTION X - X



SUGGESTED PANEL CUTOUT  
 3.18 MAX PANEL THICKNESS

DIMENSIONS: mm 		TOLERANCES UNLESS OTHERWISE SPECIFIED: 9 PLC ± 1 PLC ± 2 PLC ±0.13 3 PLC ± 4 PLC ± ANGLES ± FINISH SEE CALLOUT		DWN SHANE WUEST 24AUG2001 CHK G DOUTY 24AUG2001 APVD H WAKEEM 29JUL2004		Tyco Electronics Harrisburg, PA 17105-3608	
MATERIAL SEE CALLOUT		APPLY TO THIS DRAWING		NAME		RESTRICTED TO	
				PRODUCT SPEC APPLICATION SPEC		SIZE CAGE CODE DRAWING NO A100779C=1445778	
				WEIGHT		SCALE 6:1 SHEET 1 OF 2 REV D1	
				CUSTOMER DRAWING			

LOC	DIST	REVISIONS			
FT	0	REV	DATE	DWN	APVD
-	-	SEE SHEET 1	-	-	-

11	4-7,9,10,11,13-16	GOLD OVER NICKEL	30°	WHITE	BREAKAWAY	2-1445778-7
11	4-7,9,10,11,13-16	GOLD OVER NICKEL	0°	BLACK	POSITIVE	2-1445778-6
10	4-7,9,11,13-16	GOLD OVER NICKEL	30°	WHITE	BREAKAWAY	2-1445778-5
10	4-7,9,11,13-16	GOLD OVER NICKEL	0°	BLACK	POSITIVE	2-1445778-4
9	1,3,5,6,10,14,15,17,19	GOLD OVER NICKEL	30°	WHITE	BREAKAWAY	2-1445778-3
9	1,3,5,6,10,14,15,17,19	GOLD OVER NICKEL	0°	BLACK	POSITIVE	2-1445778-2
8	1,3,5,6,14,15,17,19	GOLD OVER NICKEL	30°	WHITE	BREAKAWAY	2-1445778-1
8	1,3,5,6,14,15,17,19	GOLD OVER NICKEL	0°	BLACK	POSITIVE	2-1445778-0
19	ALL	GOLD OVER NICKEL	0°	BLACK	POSITIVE	1-1445778-9
12	1-4,7,8,12,13,16-19	GOLD OVER NICKEL	30°	WHITE	BREAKAWAY	1-1445778-6
12	1-4,7,8,12,13,16-19	GOLD OVER NICKEL	0°	BLACK	POSITIVE	1-1445778-5
13	1-4,7,8,10,12,13,16-19	GOLD OVER NICKEL	30°	WHITE	BREAKAWAY	1-1445778-4
13	1-4,7,8,10,12,13,16-19	GOLD OVER NICKEL	0°	BLACK	POSITIVE	1-1445778-3
14	1-4,7-9,11-13,16-19	GOLD OVER NICKEL	30°	WHITE	BREAKAWAY	1-1445778-2
14	1-4,7-9,11-13,16-19	GOLD OVER NICKEL	0°	BLACK	POSITIVE	1-1445778-1
15	1-4,7-13,16-19	GOLD OVER NICKEL	30°	WHITE	BREAKAWAY	1-1445778-0
15	1-4,7-13,16-19	GOLD OVER NICKEL	0°	BLACK	POSITIVE	1445778-9
16	1-8,12-19	GOLD OVER NICKEL	30°	WHITE	BREAKAWAY	1445778-8
16	1-8,12-19	GOLD OVER NICKEL	0°	BLACK	POSITIVE	1445778-7
17	1-8,10,12-19	GOLD OVER NICKEL	30°	WHITE	BREAKAWAY	1445778-6
17	1-8,10,12-19	GOLD OVER NICKEL	0°	BLACK	POSITIVE	1445778-5
18	1-9,11-19	GOLD OVER NICKEL	30°	WHITE	BREAKAWAY	1445778-4
18	1-9,11-19	GOLD OVER NICKEL	0°	BLACK	POSITIVE	1445778-3
19	ALL	GOLD OVER NICKEL	30°	WHITE	BREAKAWAY	1445778-2
19	ALL	GOLD OVER NICKEL	0°	BLACK	POSITIVE	1445778-1
QTY	CIRCUITS LOADED	FINISH	A	COLOR	LATCH	PART NUMBER
CONTACTS			HOUSING			PART NUMBER

DIMENSIONS: mm 		TOLERANCES UNLESS OTHERWISE SPECIFIED: 9 PLC ± 1 PLC ±0.13 5 PLC ± 4 PLC ± ANGLES ± FINISH SEE CALLOUT		DWN SHANE WIESE 24AUG2001 CHK G DOUTY 24AUG2001 APVD H WAKEEM 29JUL2004		Tyco Electronics Harrisburg, PA 17105-3608	
MATERIAL SEE CALLOUT		WEIGHT		NAME ASSY, RECEPTACLE, FLANGE, SOLDER TAIL, 19 POSITIONS, MICRO CPC SIZE CAGE CODE DRAWING NO A100779C=1445778		RESTRICTED TO	
CUSTOMER DRAWING				SCALE 3:1		SHEET 2 OF 2 REV D1	