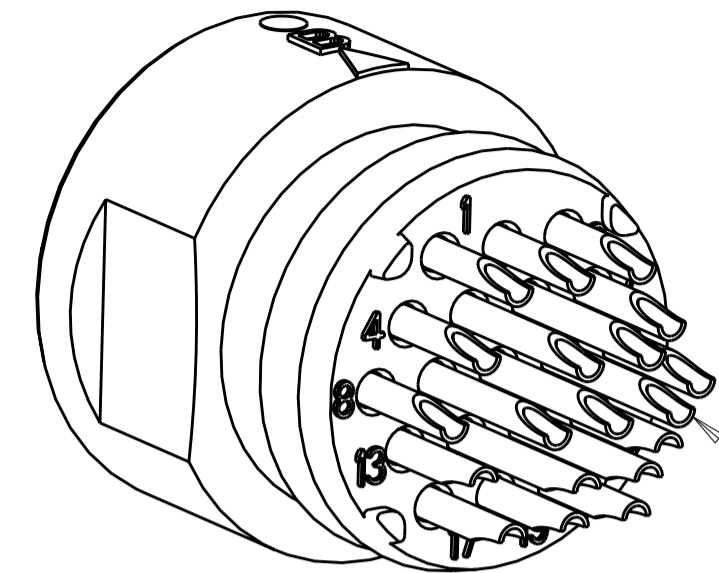
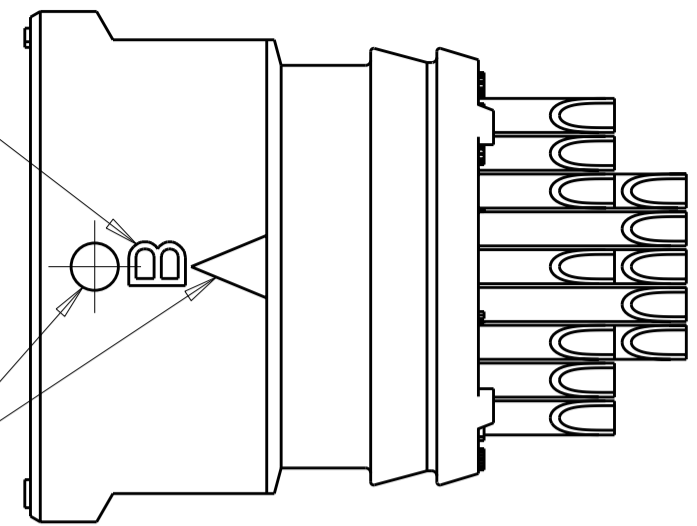


THIS DRAWING IS UNPUBLISHED. RELEASED FOR PUBLICATION 20
 © COPYRIGHT 20 BY TYCO ELECTRONICS CORPORATION. ALL RIGHTS RESERVED.

LOC	DIST	REVISIONS			
P	LTR	DESCRIPTION	DATE	DWN	APVD
FT	0				
	B	RELEASED EC 063B-0570-04	28JUL2004	SW	HW
	B1	REVISED ECO-06-013149	06JUN2006	SW	DC
	B2	REVISED ECO-06-029818	02JAN2007	SW	DC

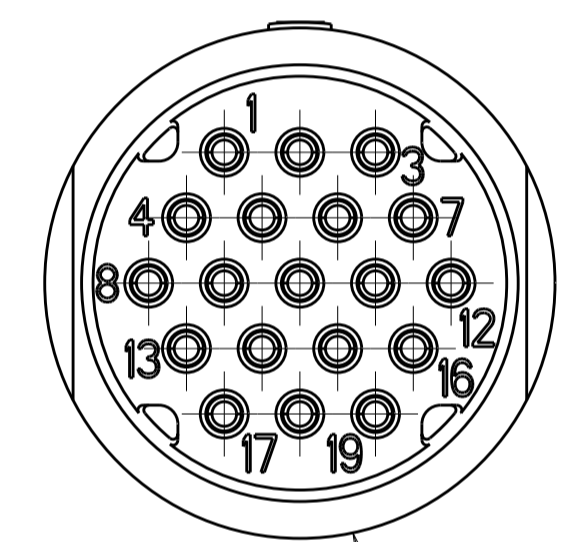
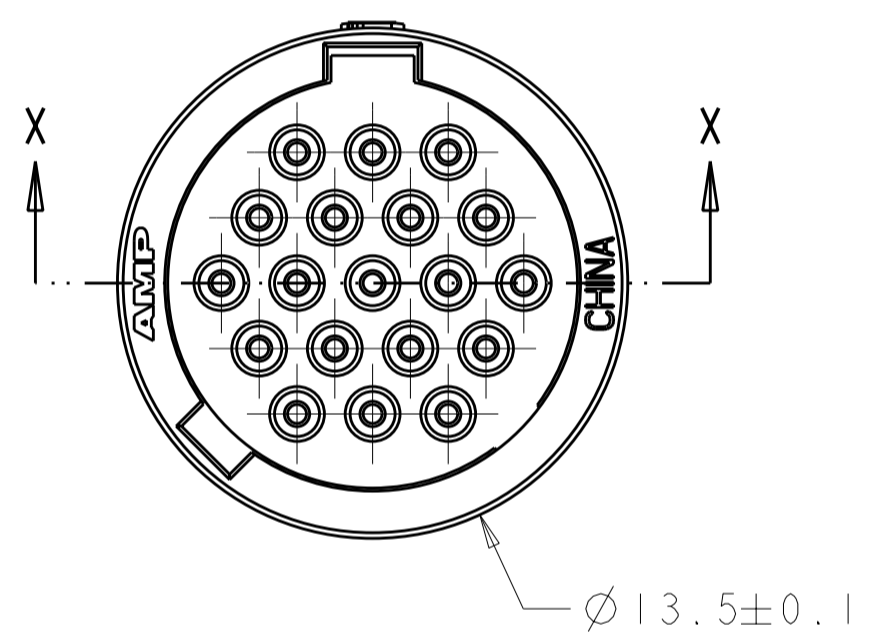
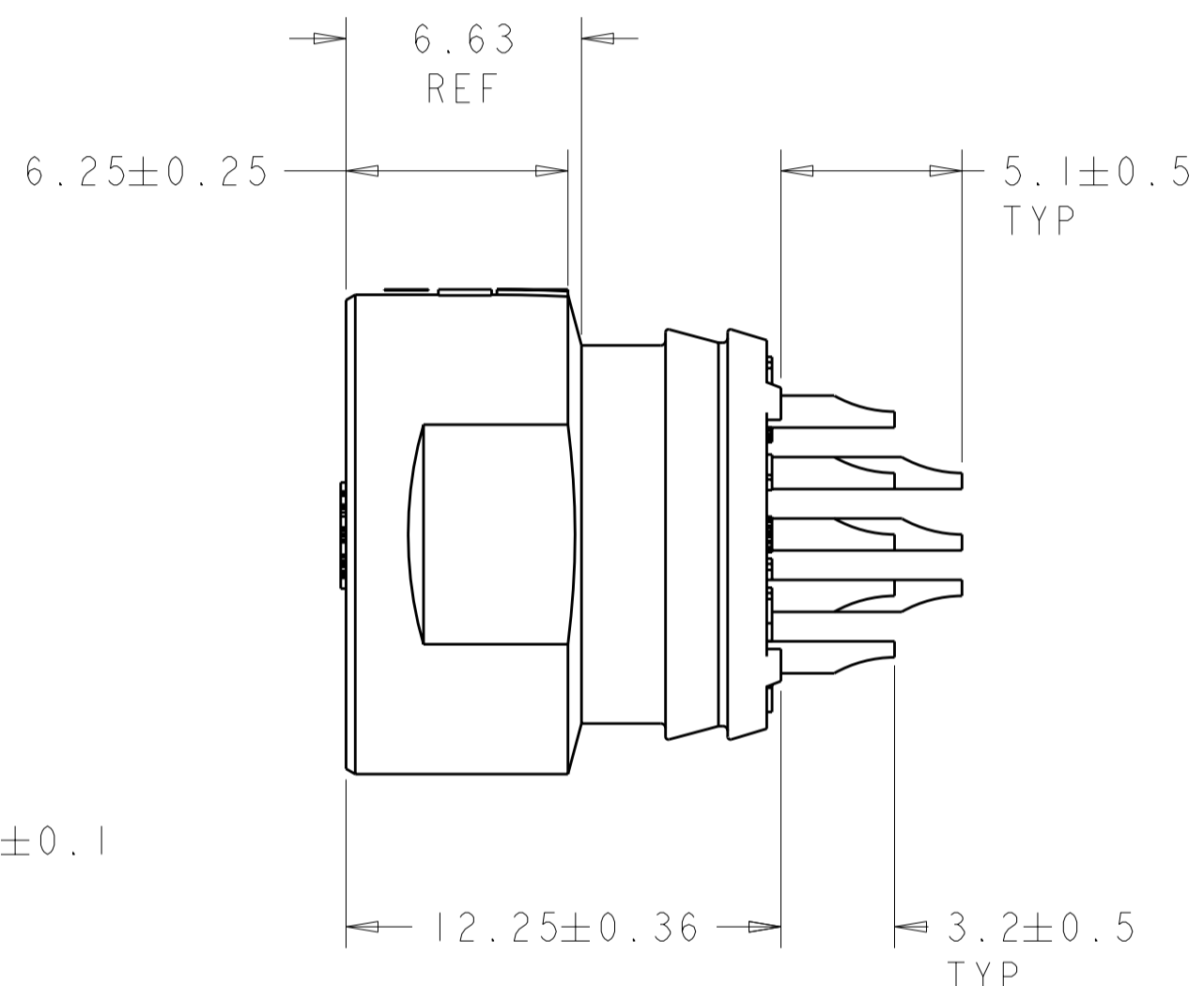
LATCH IDENTIFIER
 B-BREAKAWAY LATCH
 BREAKAWAY VERSION ONLY,
 MAY BE ORIENTED IN ANY DIRECTION

ALIGNMENT
 INDICATORS

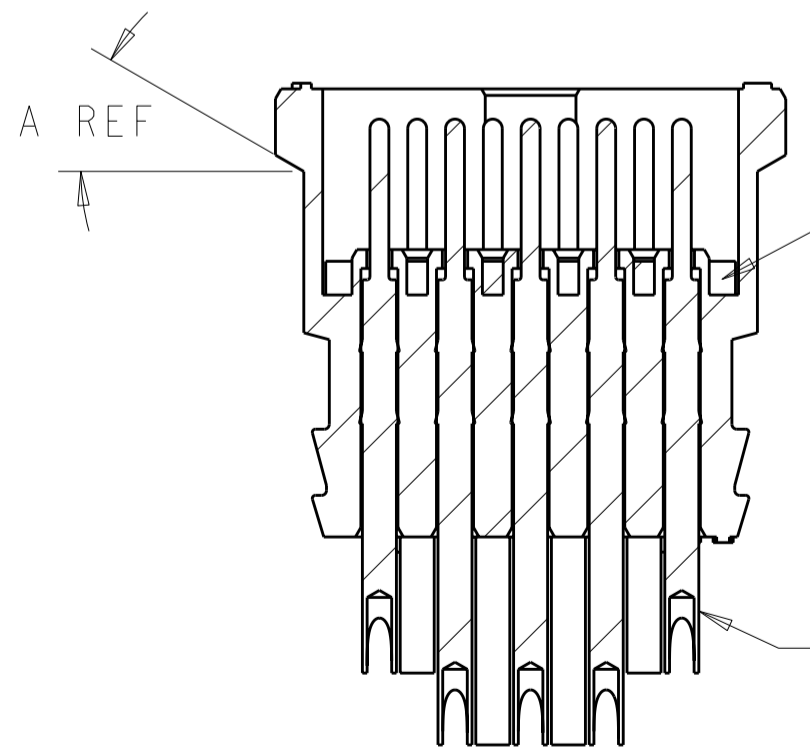


SOLDER TERMINATION AREA OF ALL
 CONTACTS IN CIRCUITS #8 THRU #12
 MAY BE ORIENTED UP OR DOWN

VIEW Z



HOUSING, QTY-1
 MATERIAL: THERMOPLASTIC, COLOR-SEE TABLE



SEAL, INTERFACIAL, QTY-1
 MATERIAL: SILICONE, COLOR-RED

CONTACT, SOLDER CUP, QTY-19
 MATERIAL: BRASS
 FINISH: SEE TABLE
 SEE VIEW Z FOR CONTACT ORIENTATION

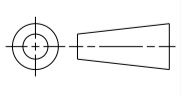
SECTION X-X

THIS DRAWING IS A CONTROLLED DOCUMENT FOR TYCO ELECTRONICS CORPORATION IT IS SUBJECT TO CHANGE AND THE CONTROLLING ENGINEERING ORGANIZATION SHOULD BE CONTACTED FOR THE LATEST REVISION.		DWN 23AUG2001 SHANE WIESE	tyco Tyco Electronics Harrisburg, PA 17105-3608	
DIMENSIONS: mm		CHK 23AUG2001 G. DOUTY	NAME ASSY, RECEPTACLE, VERTICLE, FREE HANGING, SOLDER CUP 19 POSITION, MICRO CPC	
TOLERANCES UNLESS OTHERWISE SPECIFIED:		APVD 28JUL2004 H. WAKEFEM	PRODUCT SPEC	RESTRICTED TO
0 PLC ± 1 PLC ± 2 PLC ±0.13 3 PLC ± 4 PLC ± ANGLES ± FINISH		APPLICATION SPEC	SCALE 5:1	SHEET 1 OF 2 REV B2
MATERIAL SEE CALLOUT	SEE CALLOUT	WEIGHT	SIZE A2	CAGE CODE 00779
		CUSTOMER DRAWING	DRAWING NO. 1445773	

THIS DRAWING IS UNPUBLISHED. RELEASED FOR PUBLICATION 20
 © COPYRIGHT 20 BY TYCO ELECTRONICS CORPORATION. ALL RIGHTS RESERVED.

LOC	DIST	REVISIONS			
P	LTR	DESCRIPTION	DATE	DWN	APVD
FT	0	-	SEE SHEET 1	-	-

11	4-7,9,10,11,13-16	GOLD OVER NICKEL	30°	WHITE	BREAKAWAY	2-1445773-4
11	4-7,9,10,11,13-16	GOLD OVER NICKEL	0°	BLACK	POSITIVE	2-1445773-3
10	4-7,9,11,13-16	GOLD OVER NICKEL	30°	WHITE	BREAKAWAY	2-1445773-2
10	4-7,9,11,13-16	GOLD OVER NICKEL	0°	BLACK	POSITIVE	2-1445773-1
9	1,3,5,6,10,14,15,17,19	GOLD OVER NICKEL	30°	WHITE	BREAKAWAY	2-1445773-0
9	1,3,5,6,10,14,15,17,19	GOLD OVER NICKEL	0°	BLACK	POSITIVE	1-1445773-9
8	1,3,5,6,14,15,17,19	GOLD OVER NICKEL	30°	WHITE	BREAKAWAY	1-1445773-8
8	1,3,5,6,14,15,17,19	GOLD OVER NICKEL	0°	BLACK	POSITIVE	1-1445773-7
12	1-4,7,8,12,13,16-19	GOLD OVER NICKEL	30°	WHITE	BREAKAWAY	1-1445773-6
12	1-4,7,8,12,13,16-19	GOLD OVER NICKEL	0°	BLACK	POSITIVE	1-1445773-5
13	1-4,7,8,10,12,13,16-19	GOLD OVER NICKEL	30°	WHITE	BREAKAWAY	1-1445773-4
13	1-4,7,8,10,12,13,16-19	GOLD OVER NICKEL	0°	BLACK	POSITIVE	1-1445773-3
14	1-4,7-9,11-13,16-19	GOLD OVER NICKEL	30°	WHITE	BREAKAWAY	1-1445773-2
14	1-4,7-9,11-13,16-19	GOLD OVER NICKEL	0°	BLACK	POSITIVE	1-1445773-1
15	1-4,7-13,16-19	GOLD OVER NICKEL	30°	WHITE	BREAKAWAY	1-1445773-0
15	1-4,7-13,16-19	GOLD OVER NICKEL	0°	BLACK	POSITIVE	1445773-9
16	1-8,12-19	GOLD OVER NICKEL	30°	WHITE	BREAKAWAY	1445773-8
16	1-8,12-19	GOLD OVER NICKEL	0°	BLACK	POSITIVE	1445773-7
17	1-8,10,12-19	GOLD OVER NICKEL	30°	WHITE	BREAKAWAY	1445773-6
17	1-8,10,12-19	GOLD OVER NICKEL	0°	BLACK	POSITIVE	1445773-5
18	1-9,11-19	GOLD OVER NICKEL	30°	WHITE	BREAKAWAY	1445773-4
18	1-9,11-19	GOLD OVER NICKEL	0°	BLACK	POSITIVE	1445773-3
19	ALL	GOLD OVER NICKEL	30°	WHITE	BREAKAWAY	1445773-2
19	ALL	GOLD OVER NICKEL	0°	BLACK	POSITIVE	1445773-1
QTY	CIRCUITS LOADED	FINISH	A	COLOR	LATCH	PART NUMBER
CONTACTS			HOUSING			PART NUMBER

<small>THIS DRAWING IS A CONTROLLED DOCUMENT FOR TYCO ELECTRONICS CORPORATION. IT IS SUBJECT TO CHANGE AND THE CONTROLLING ENGINEERING ORGANIZATION SHOULD BE CONTACTED FOR THE LATEST REVISION.</small>		DWN 23AUG2001 SHANE WIESE CHK 23AUG2001 G. DOUITY APVD 28JUL2004 H. WAKEFEM	tyco Electronics Tyco Electronics Harrisburg, PA 17105-3608
DIMENSIONS: mm 	TOLERANCES UNLESS OTHERWISE SPECIFIED: 0 PLC ± 1 PLC ± 2 PLC ±0.13 3 PLC ± 4 PLC ± ANGLES ± FINISH	PRODUCT SPEC APPLICATION SPEC WEIGHT	NAME ASSY, RECEPTACLE, VERTICLE, FREE HANGING, SOLDER CUP 19 POSITION, MICRO CPC SIZE A2 CAGE CODE 00779 DRAWING NO. 1445773 RESTRICTED TO
MATERIAL		CUSTOMER DRAWING	SCALE 5:1 SHEET 2 OF 2 REV B2