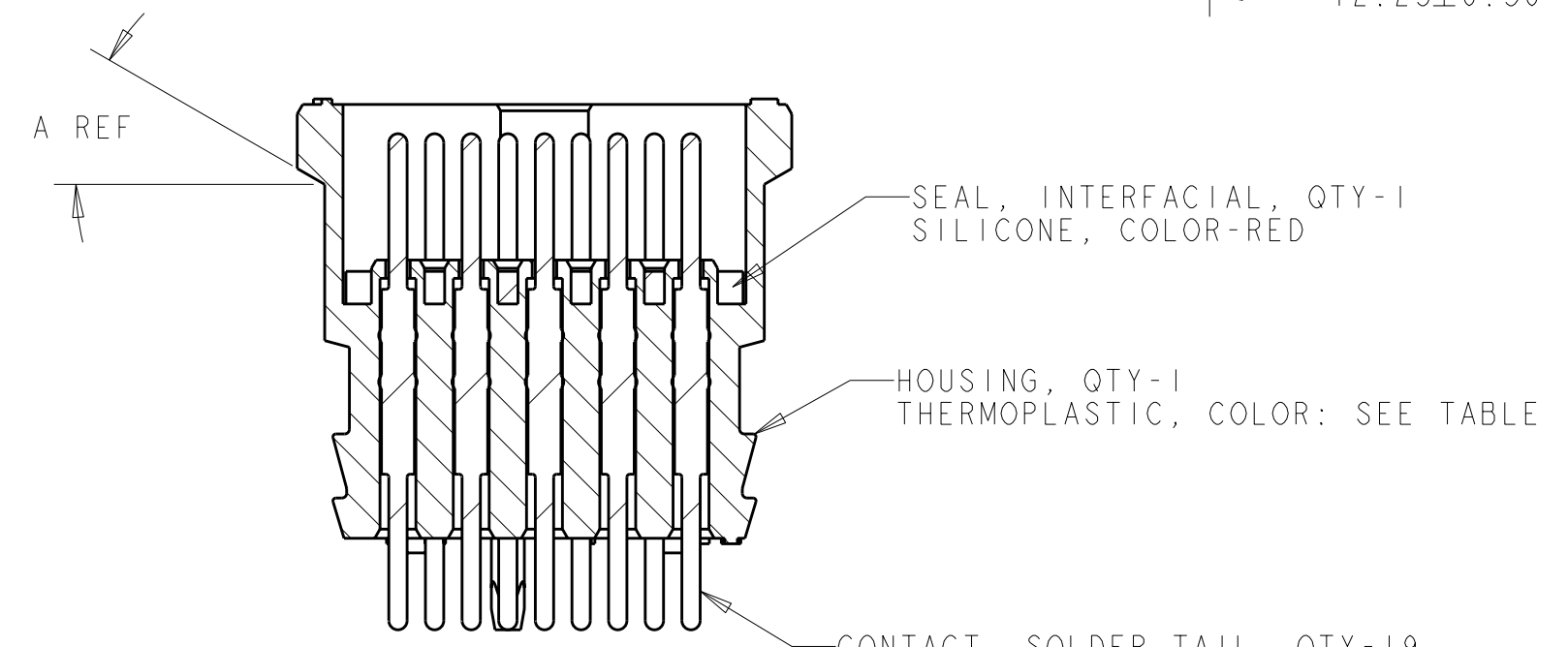
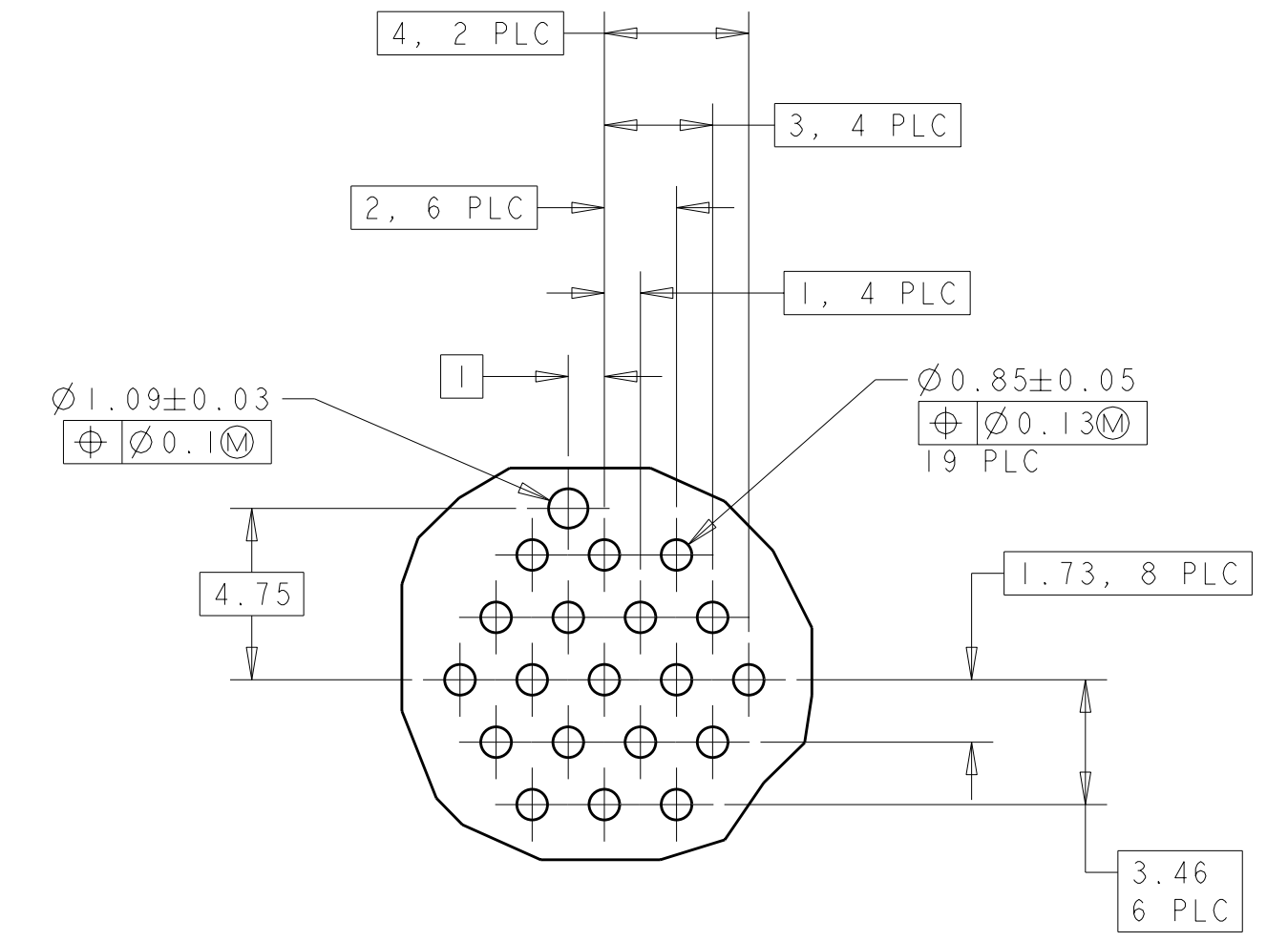
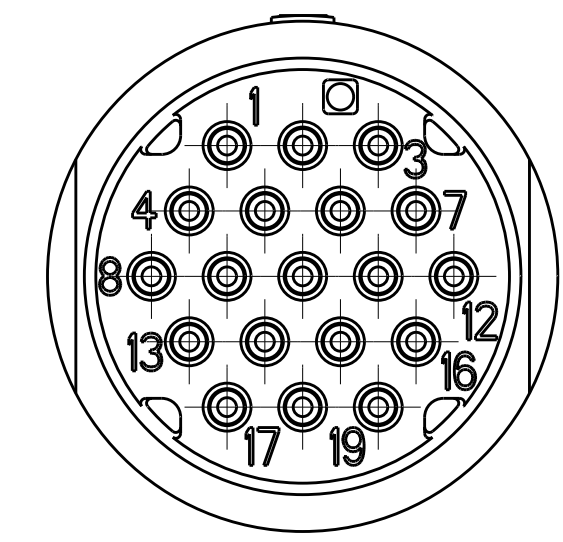
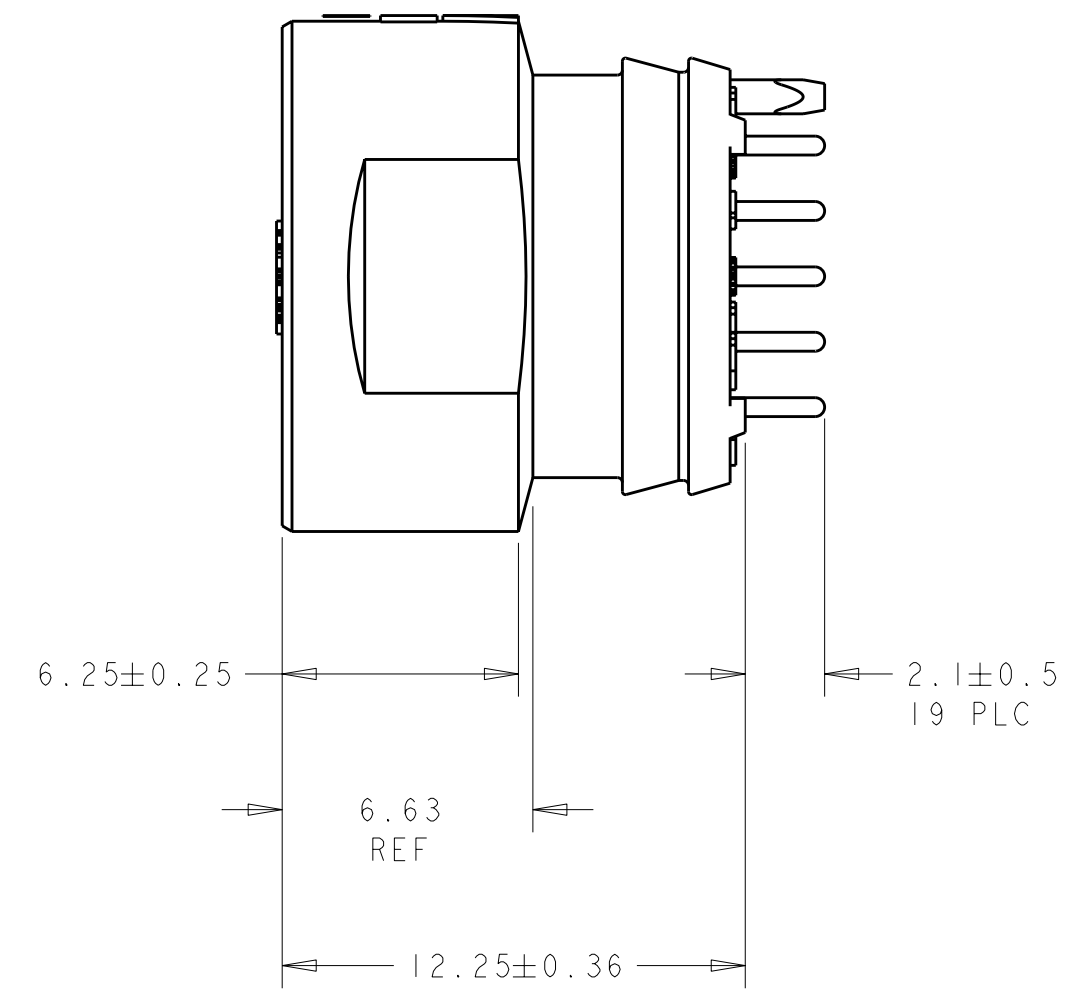
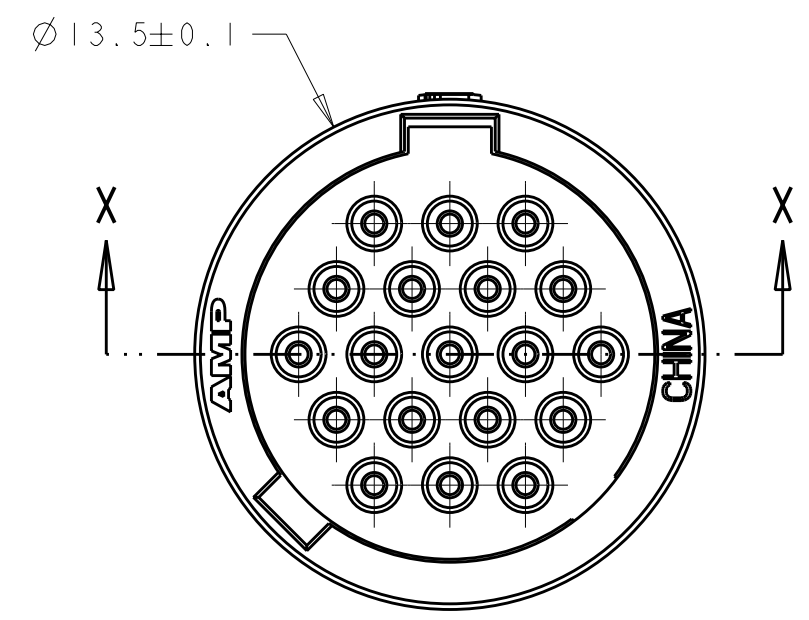
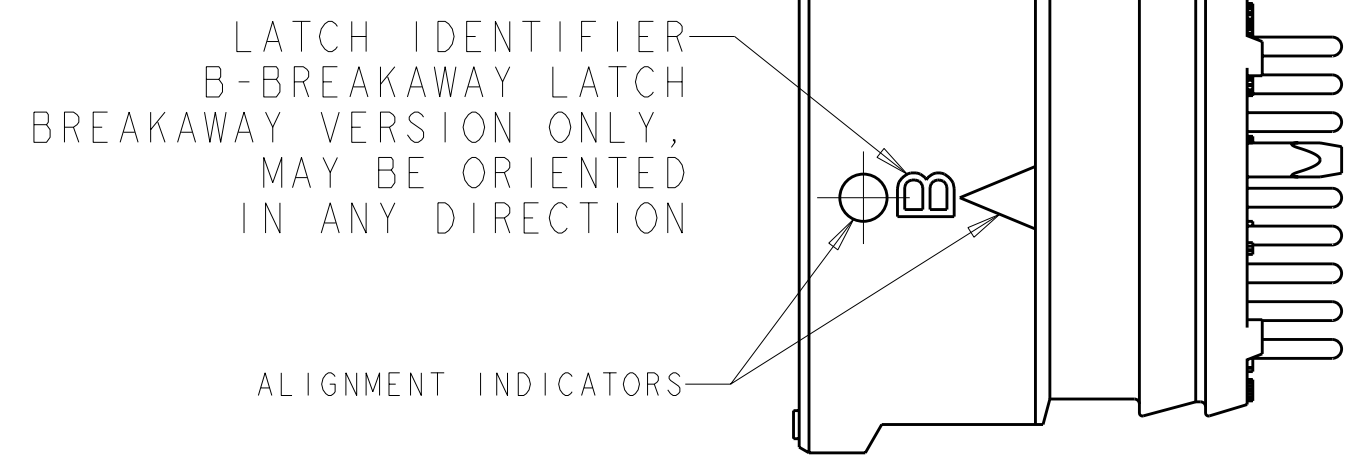


THIS DRAWING IS UNPUBLISHED. RELEASED FOR PUBLICATION 20  
 © COPYRIGHT 20 BY TYCO ELECTRONICS CORPORATION. ALL RIGHTS RESERVED.

LOC		DIST		REVISIONS			
P	LTR	DESCRIPTION	DATE	DWN	APVD		
	A	RELEASED EC 063B-0570-04	28JUL2004	SW	HW		
	A1	REVISED ECO-06-013149	06JUN2006	SW	DC		
	A2	REVISED ECO-06-029818	02JAN2007	SW	DC		


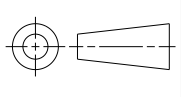


THIS DRAWING IS A CONTROLLED DOCUMENT FOR TYCO ELECTRONICS CORPORATION. IT IS SUBJECT TO CHANGE AND THE CONTROLLING ENGINEERING ORGANIZATION SHOULD BE CONTACTED FOR THE LATEST REVISION.		DWN: SHANE WIESE 23AUG2001	Tyco Electronics Harrisburg, PA 17105-3608	
DIMENSIONS: mm		CHK: G. DOUITY 23AUG2001	NAME: ASSEMBLY, RECEPTACLE, VERTICLE, FREE HANGING, SCREW MACHINE, SOLDER TAIL, 19 POSITION, MICRO CPC	
TOLERANCES UNLESS OTHERWISE SPECIFIED:		APVD: H. WAKEFEM 28JUL2004	SIZE: A2 CAGE CODE: 00779 DRAWING NO: 1445772	
0 PLC ±		PRODUCT SPEC: -	RESTRICTED TO: -	
1 PLC ±		APPLICATION SPEC: -	SCALE: 5:1 SHEET 1 OF 2 REV: A2	
2 PLC ±0.13		WEIGHT: -		
3 PLC ±		CUSTOMER DRAWING		
4 PLC ±				
ANGLES ±				
FINISH				
MATERIAL: SEE CALLOUT				
TOLERANCES UNLESS OTHERWISE SPECIFIED:				

THIS DRAWING IS UNPUBLISHED. RELEASED FOR PUBLICATION 20  
 © COPYRIGHT 20 BY TYCO ELECTRONICS CORPORATION. ALL RIGHTS RESERVED.

LOC	DIST	REVISIONS			
P	LTR	DESCRIPTION	DATE	DWN	APVD
		SEE SHEET 1			

11	4-7,9,10,11,13-16	GOLD OVER NICKEL	30°	WHITE	BREAKAWAY	2-1445772-4
11	4-7,9,10,11,13-16	GOLD OVER NICKEL	0°	BLACK	POSITIVE	2-1445772-3
10	4-7,9,11,13-16	GOLD OVER NICKEL	30°	WHITE	BREAKAWAY	2-1445772-2
10	4-7,9,11,13-16	GOLD OVER NICKEL	0°	BLACK	POSITIVE	2-1445772-1
9	1,3,5,6,10,14,15,17,19	GOLD OVER NICKEL	30°	WHITE	BREAKAWAY	2-1445772-0
9	1,3,5,6,10,14,15,17,19	GOLD OVER NICKEL	0°	BLACK	POSITIVE	1-1445772-9
8	1,3,5,6,14,15,17,19	GOLD OVER NICKEL	30°	WHITE	BREAKAWAY	1-1445772-8
8	1,3,5,6,14,15,17,19	GOLD OVER NICKEL	0°	BLACK	POSITIVE	1-1445772-7
12	1-4,7,8,12,13,16-19	GOLD OVER NICKEL	30°	WHITE	BREAKAWAY	1-1445772-6
12	1-4,7,8,12,13,16-19	GOLD OVER NICKEL	0°	BLACK	POSITIVE	1-1445772-5
13	1-4,7,8,10,12,13,16-19	GOLD OVER NICKEL	30°	WHITE	BREAKAWAY	1-1445772-4
13	1-4,7,8,10,12,13,16-19	GOLD OVER NICKEL	0°	BLACK	POSITIVE	1-1445772-3
14	1-4,7-9,11-13,16-19	GOLD OVER NICKEL	30°	WHITE	BREAKAWAY	1-1445772-2
14	1-4,7-9,11-13,16-19	GOLD OVER NICKEL	0°	BLACK	POSITIVE	1-1445772-1
15	1-4,7-13,16-19	GOLD OVER NICKEL	30°	WHITE	BREAKAWAY	1-1445772-0
15	1-4,7-13,16-19	GOLD OVER NICKEL	0°	BLACK	POSITIVE	1445772-9
16	1-8,12-19	GOLD OVER NICKEL	30°	WHITE	BREAKAWAY	1445772-8
16	1-8,12-19	GOLD OVER NICKEL	0°	BLACK	POSITIVE	1445772-7
17	1-8,10,12,13-19	GOLD OVER NICKEL	30°	WHITE	BREAKAWAY	1445772-6
17	1-8,10,12,13-19	GOLD OVER NICKEL	0°	BLACK	POSITIVE	1445772-5
18	1-9,11-19	GOLD OVER NICKEL	30°	WHITE	BREAKAWAY	1445772-4
18	1-9,11-19	GOLD OVER NICKEL	0°	BLACK	POSITIVE	1445772-3
19	ALL	GOLD OVER NICKEL	30°	WHITE	BREAKAWAY	1445772-2
19	ALL	GOLD OVER NICKEL	0°	BLACK	POSITIVE	1445772-1
QTY	CIRCUITS LOADED	FINISH	A	COLOR	LATCH	PART NUMBER
CONTACTS			HOUSING			PART NUMBER

<small>THIS DRAWING IS A CONTROLLED DOCUMENT FOR TYCO ELECTRONICS CORPORATION. IT IS SUBJECT TO CHANGE AND THE CONTROLLING ENGINEERING ORGANIZATION SHOULD BE CONTACTED FOR THE LATEST REVISION.</small>		DWN 23AUG2001 SHANE WIESE	 Tyco Electronics Harrisburg, PA 17105-3608
DIMENSIONS: mm 		CHK 23AUG2001 G. DOUITY APVD 28JUL2004 H. WAKEFEM	
TOLERANCES UNLESS OTHERWISE SPECIFIED: 0 PLC ± 1 PLC ± 2 PLC ±0.13 3 PLC ± 4 PLC ± ANGLES ± FINISH		PRODUCT SPEC APPLICATION SPEC WEIGHT	NAME ASSEMBLY, RECEPTACLE, VERTICLE, FREE HANGING, SCREW MACHINE, SOLDER TAIL, 19 POSITION, MICRO CPC SIZE A2 CAGE CODE 00779 DRAWING NO. 1445772 RESTRICTED TO CUSTOMER DRAWING SCALE 5:1 SHEET 2 OF 2 REV A2