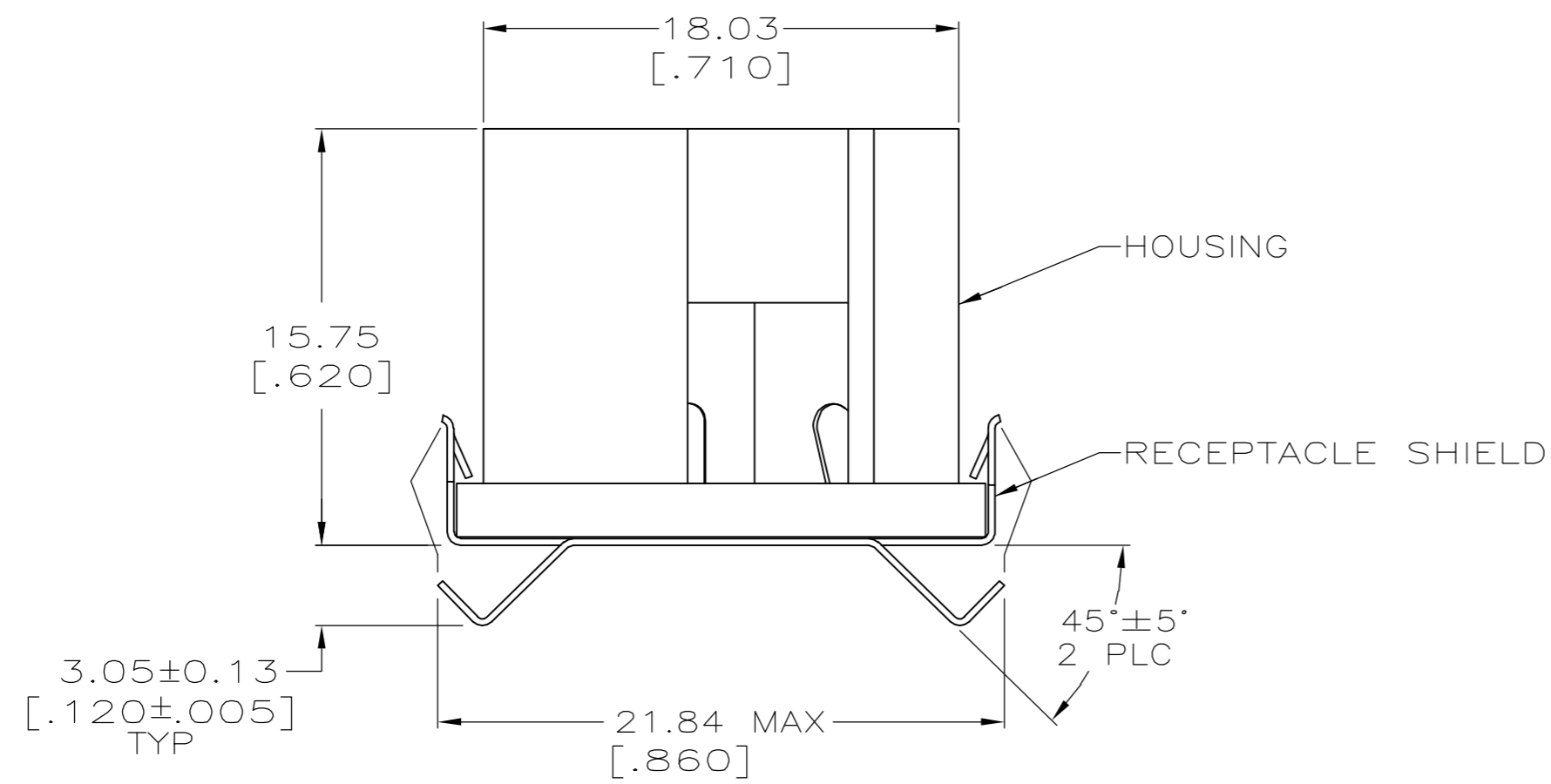
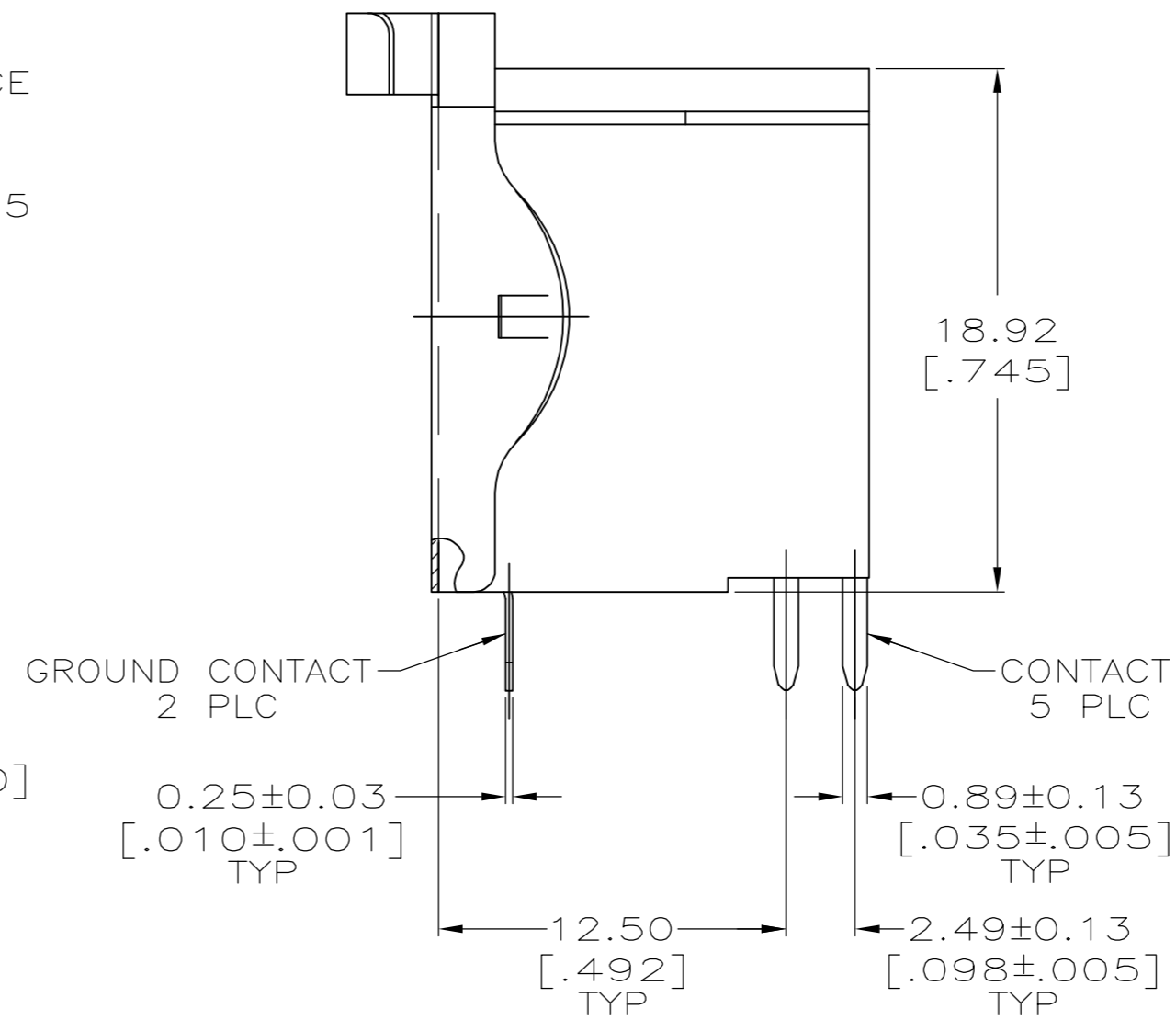
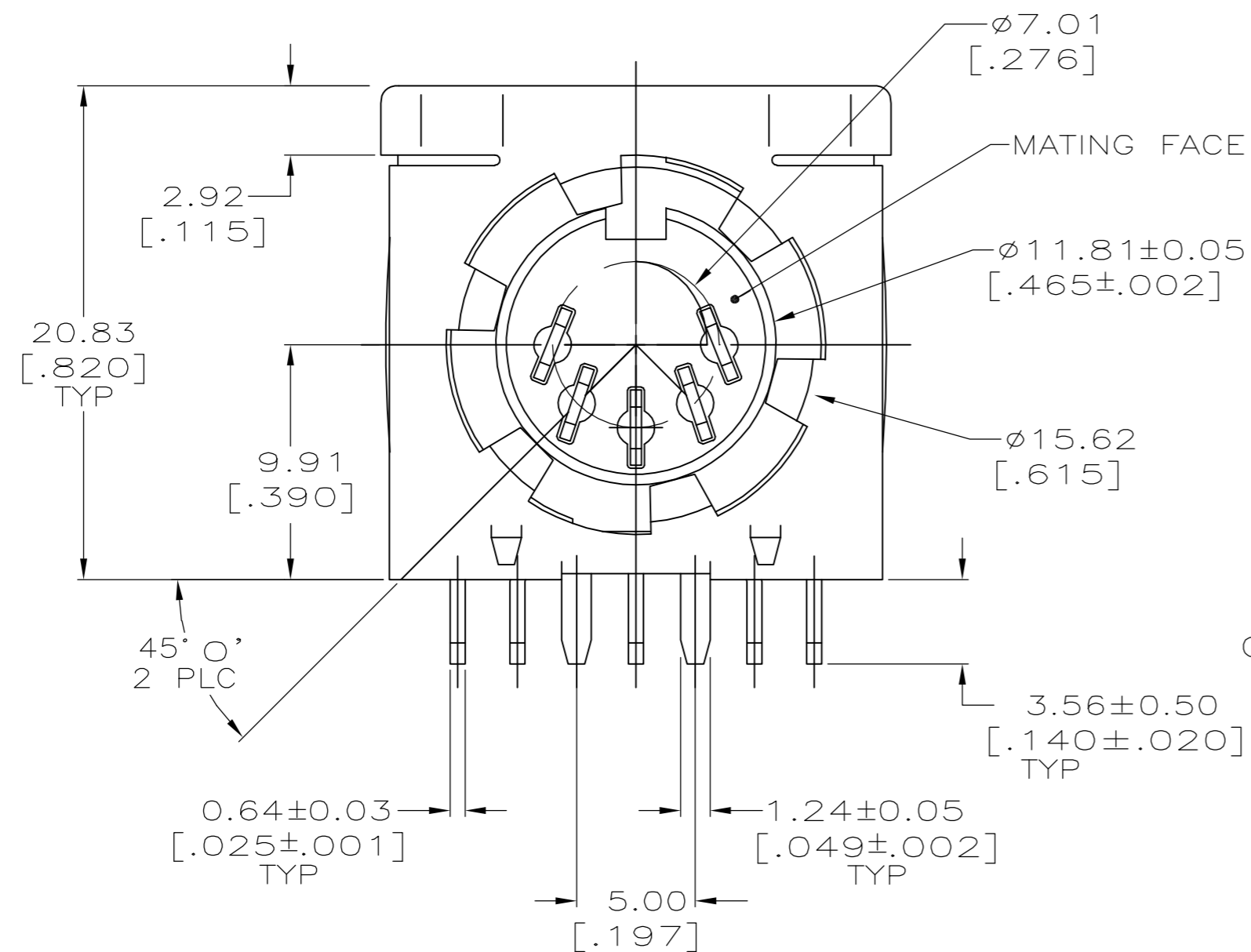


THIS DRAWING IS UNPUBLISHED. RELEASED FOR PUBLICATION  
 © COPYRIGHT BY TYCO ELECTRONICS CORPORATION. ALL RIGHTS RESERVED.

LOC		DIST		REVISIONS			
P	LTR	DESCRIPTION	DATE	DWN	APVD		
GP	00						
	01	REVISED PER ECO-07-008008	10APR07	JDP	CWR		



- ① HOUSING: NYLON, UL 94V-0 RATED, BLACK.
- ② CONTACTS & RECEPTACLE SHIELD: 2.54 μm [.000100] MIN TIN OVER 1.27 μm [.000050] MIN NICKEL.
- 3. MATING FACE CONFORMS TO DIN SPEC 41524.
- ④ CONTACTS & RECEPTACLE SHIELD: BRASS.



5750477-1  
 PART NO

THIS DRAWING IS A CONTROLLED DOCUMENT.		DWN	L. VARELA - DOCK5	11-12-04	 Tyco Electronics Corporation Harrisburg, PA 17105-3608							
DIMENSIONS: mm [INCHES]		CHK	C. ROHDE	11-12-04								
TOLERANCES UNLESS OTHERWISE SPECIFIED:		APVD	M. WALMSLEY	11-12-04								
0 PLC ± - 1 PLC ± - 2 PLC ± 0.25 [.010] 3 PLC ± - 4 PLC ± - ANGLES ± 0° 30' FINISH		PRODUCT SPEC	108-10047	APPLICATION SPEC		114-40025						
MATERIAL		WEIGHT	-		SIZE	A2	CAGE CODE	00779	DRAWING NO	C=5750477	RESTRICTED TO	-
① ④		②		CUSTOMER DRAWING		SCALE	4:1	SHEET	1 of 1	REV	01	

5750477