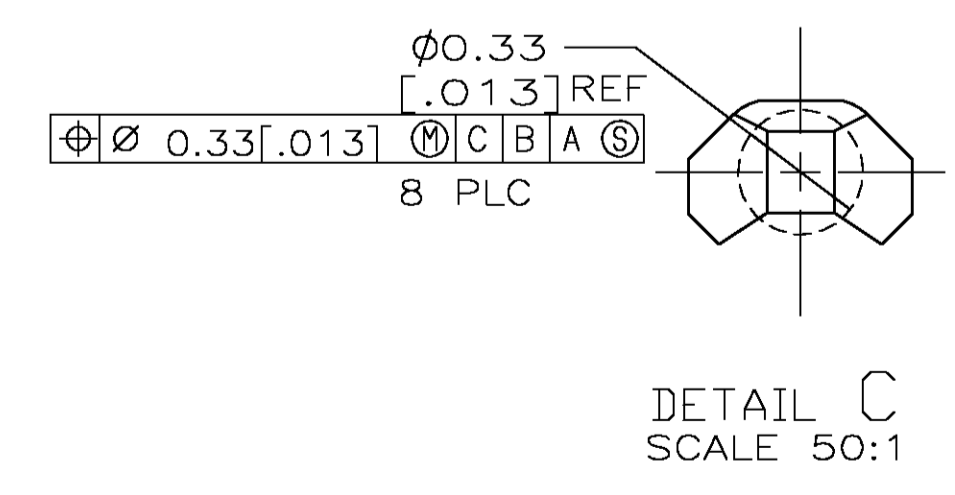
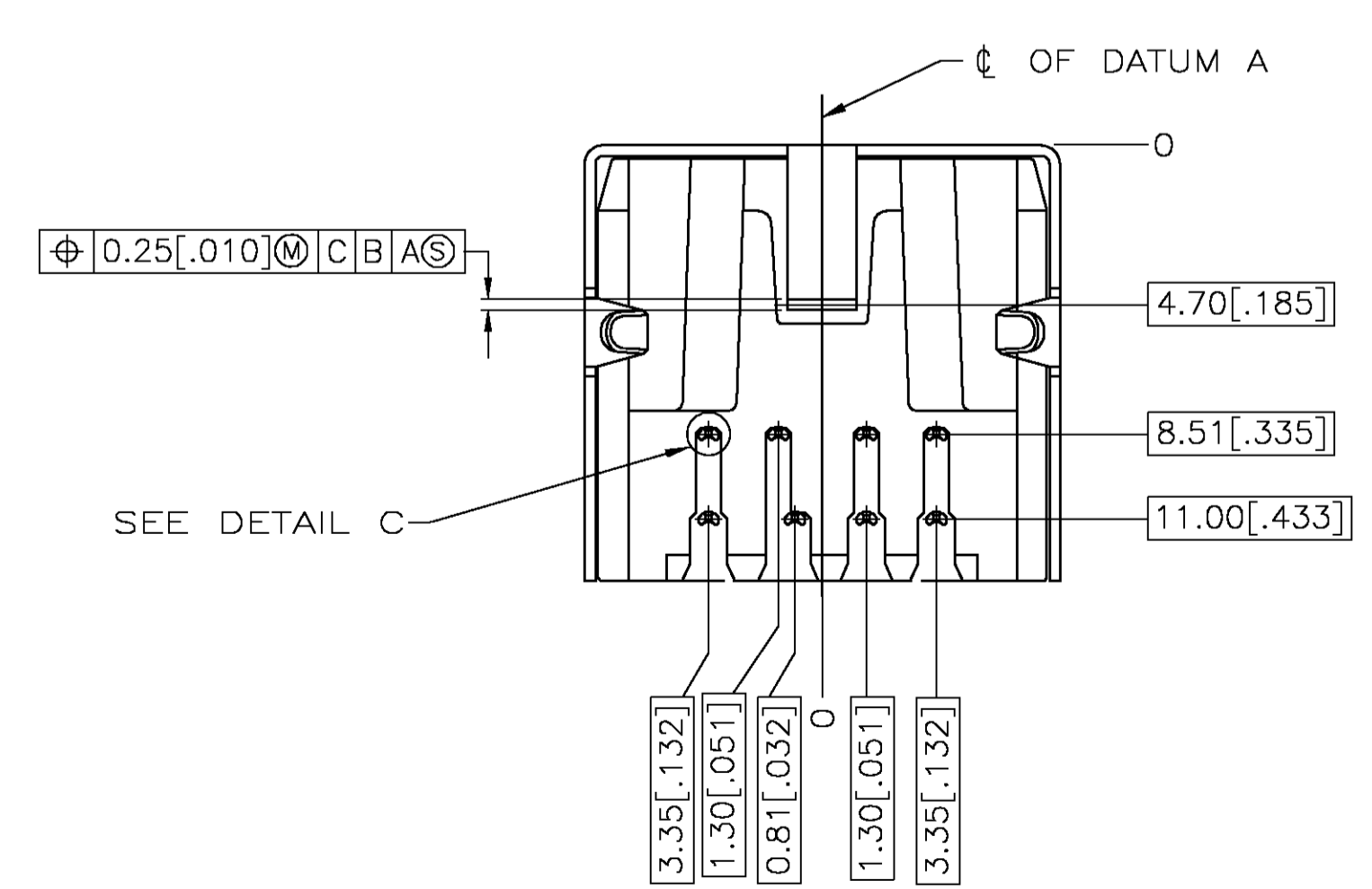
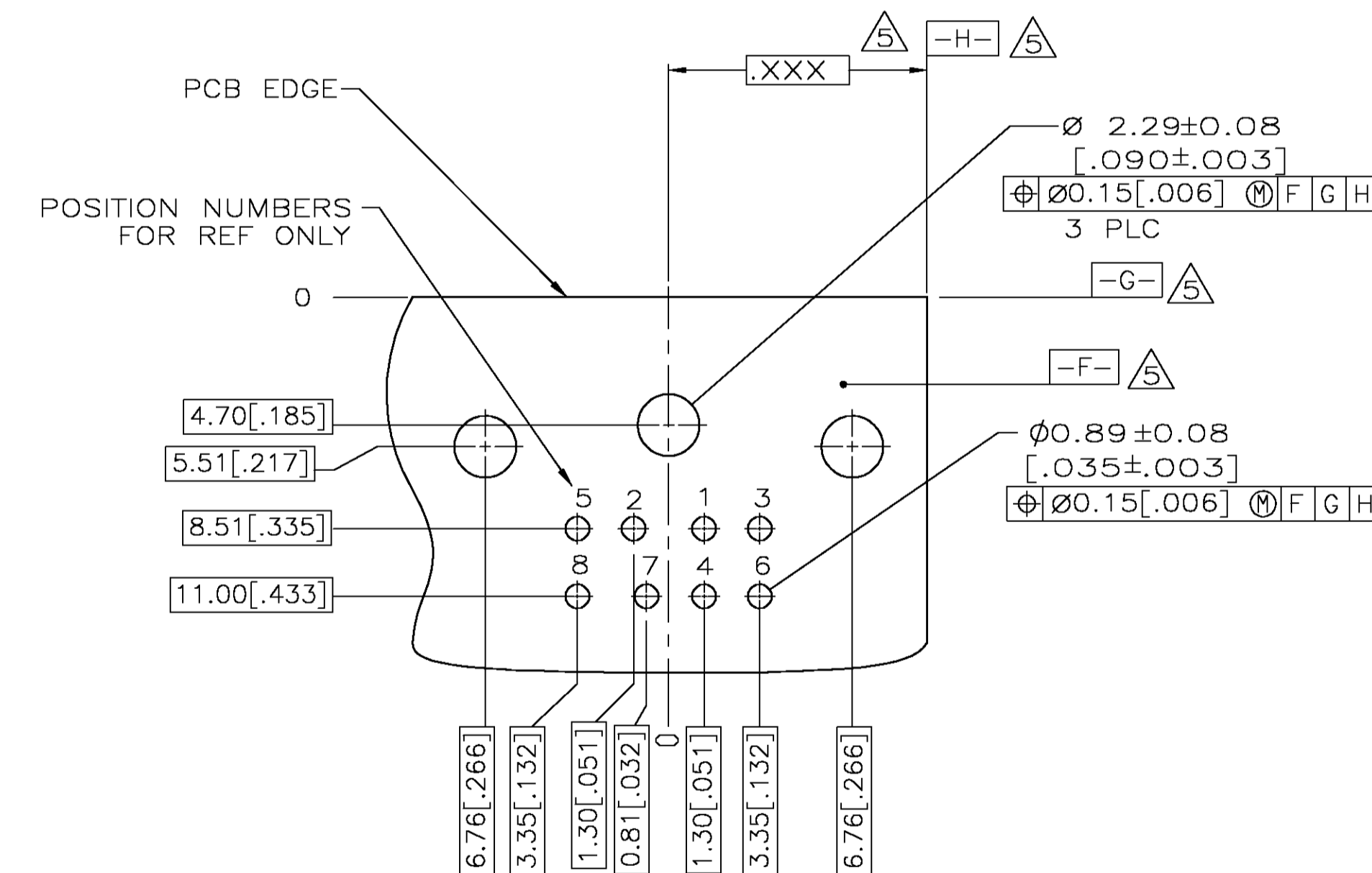
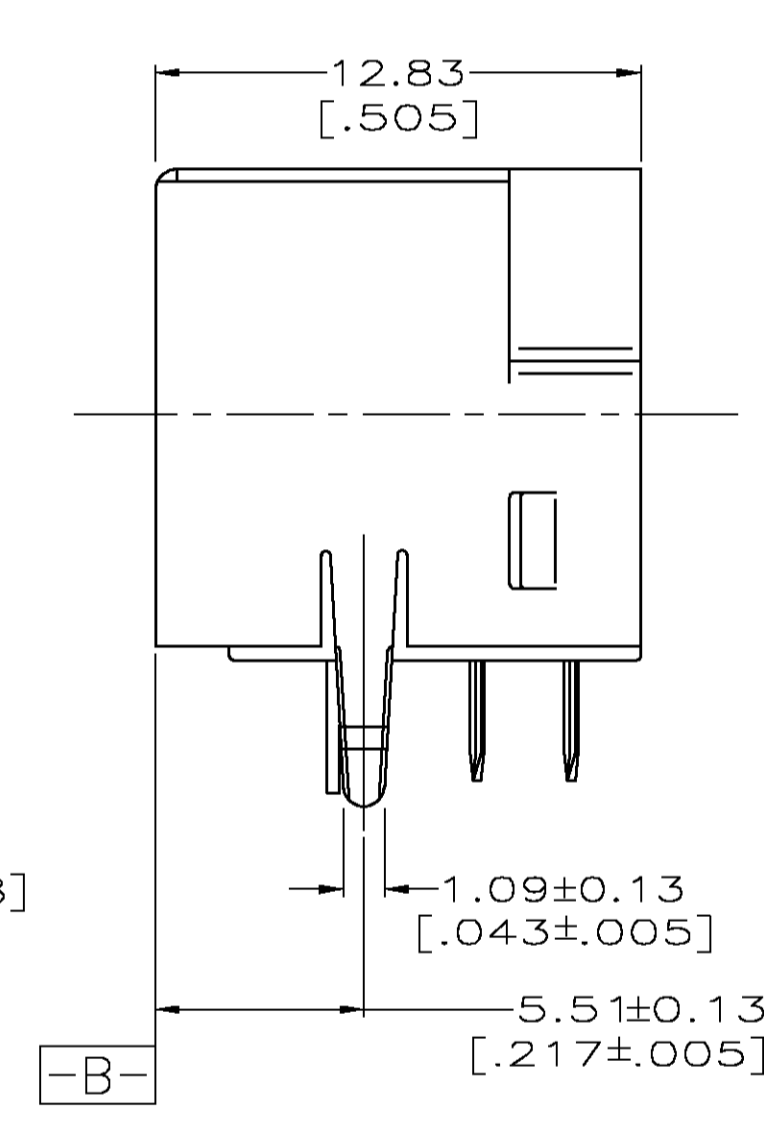
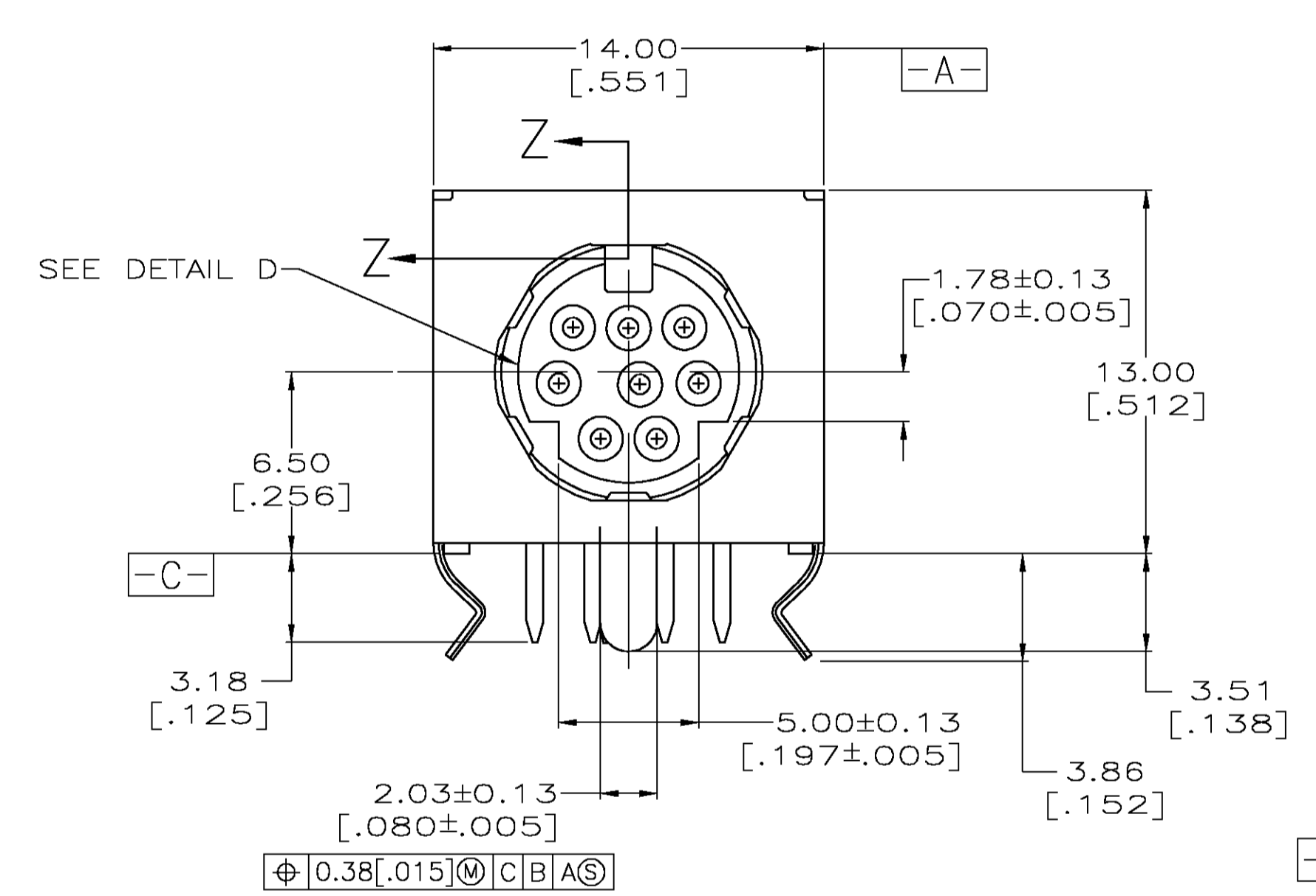


- △ RECEPTACLE CONTACTS: COPPER ALLOY.
 RECEPTACLE SHIELD: COPPER ALLOY.
 HOUSING: LCP, COLOR; BLACK, UL 94V-0 RATED.
- △ PLATING:
 RECEPTACLE CONTACTS - GOLD PLATED 0.00076 [.000030] MIN
 ON MATING END, TIN PLATED 0.0030 [.000120] MIN
 ON SOLDER TAIL, ALL OVER 0.0013 [.000050] MIN NICKEL.
- △ PLATING:
 SHIELD: 0.0015-0.004 [.000059-.000158] BRIGHT TIN.
- 4. RECEPTACLE ASSEMBLY MATES WITH 8 PIN 9.00± 0.10 [.354±.004] DIAMETER PLUG.
- △ DATUMS AND BASIC DIMENSION DETERMINED BY CUSTOMER.



1658998-1
 PART NUMBER

THIS DRAWING IS A CONTROLLED DOCUMENT.		DMN B. MCMASTER 13FEB2004	Tyco Electronics Corporation Harrisburg, Pa 17105-3608
DIMENSIONS: mm [INCHES]		CHK C. ROHDFE 13FEB04	
TOLERANCES UNLESS OTHERWISE SPECIFIED:		APVD W. WALMSLEY 13FEB04	NAME
0 PLC ± -			RECEPTACLE ASSY W/HOLD DOWN, 8 POS
1 PLC ± -			RIGHT ANGLE, MINIATURE CIRCULAR DIN
2 PLC ± -			PRODUCT SPEC
3 PLC ± 0.38 [.015]			108-1225
4 PLC ± -			APPLICATION SPEC
ANGLES ± 0.30°			SIZE
MATERIAL	FINISH	WEIGHT	CAGE CODE
1	2 3	-	A1 00779
CUSTOMER DRAWING		DRAWING NO	RESTRICTED TO
		C=1658998	SCALE 5:1 SHEET 1 OF 1 REV 0