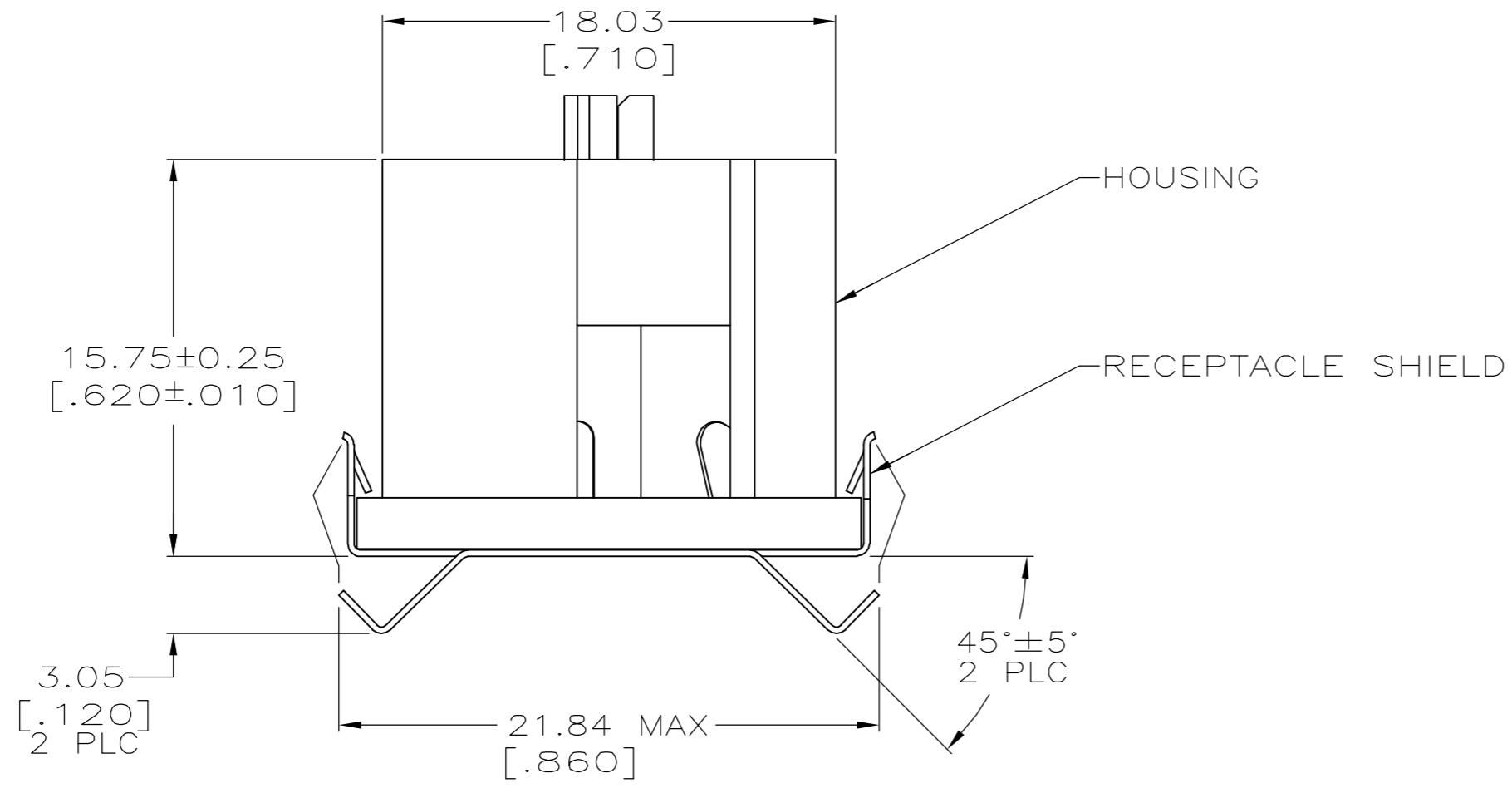
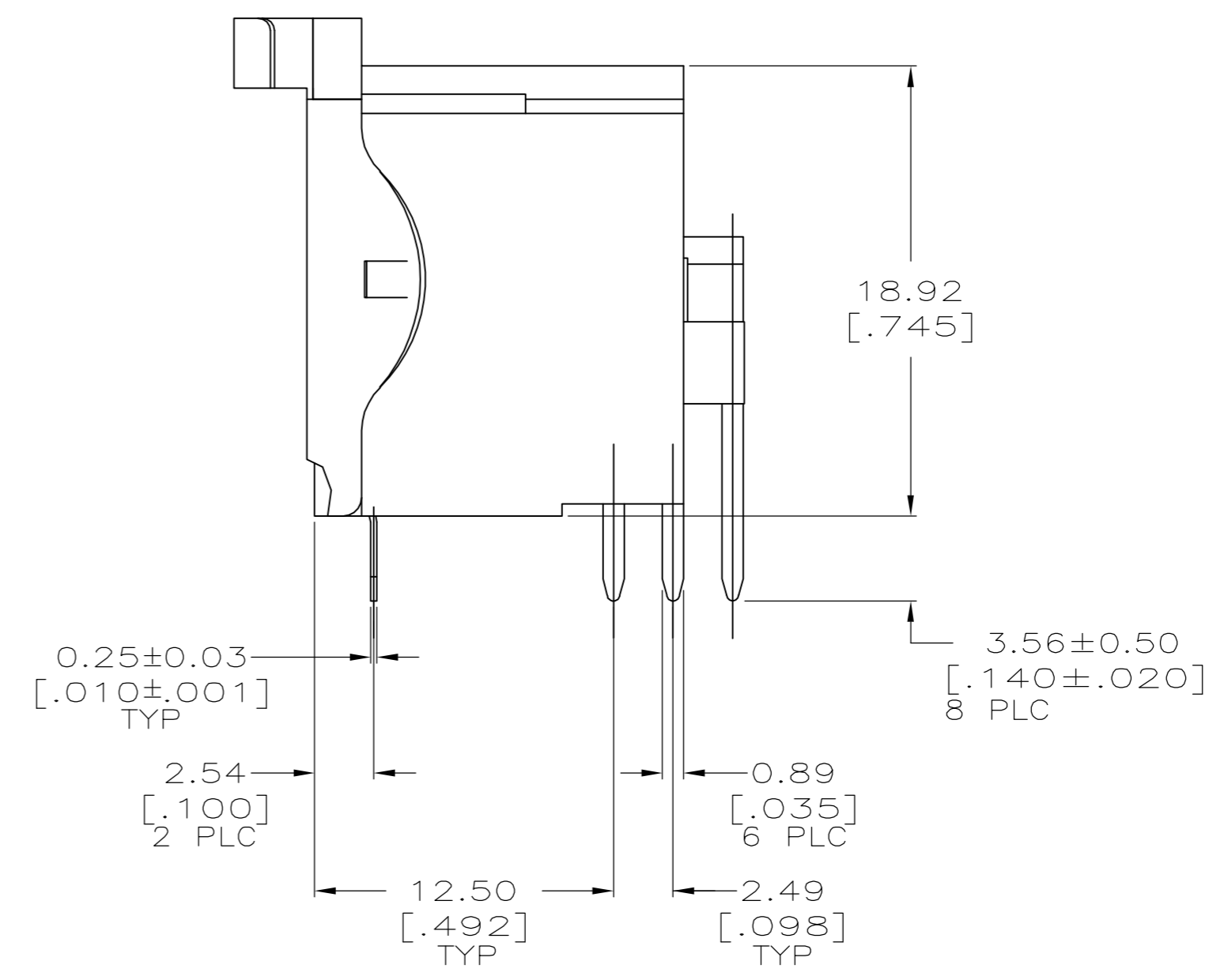
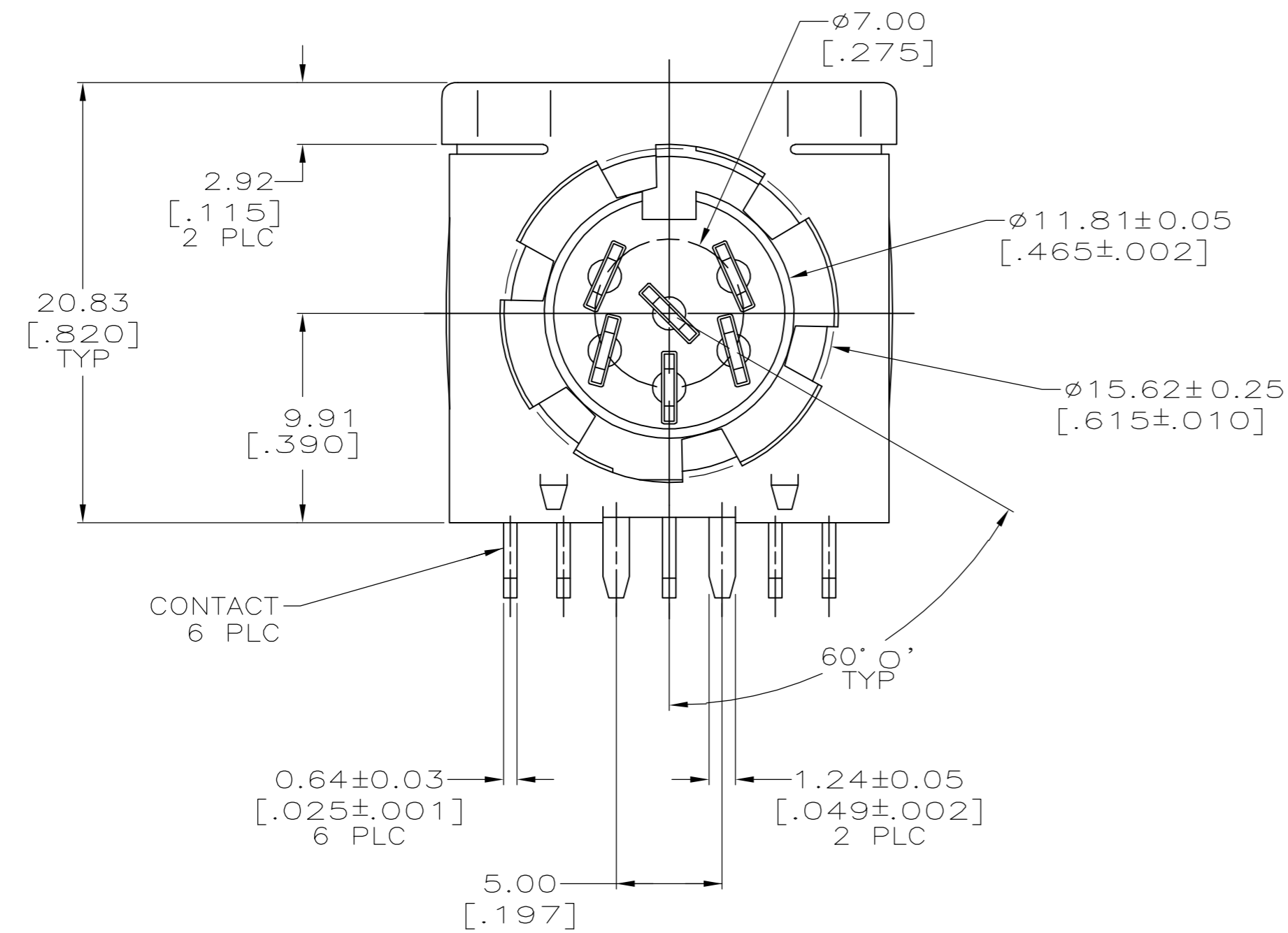


THIS DRAWING IS UNPUBLISHED. RELEASED FOR PUBLICATION
 © COPYRIGHT BY TYCO ELECTRONICS CORPORATION. ALL RIGHTS RESERVED.

LOC		DIST		REVISIONS			
P	LTR	DESCRIPTION		DATE	DWN	APVD	
GP	00	01		REVISED PER ECO-07-008008	10APR07	JDP/CWR	



- 1 HOUSING: NYLON, UL 94V-0 RATED, BLACK.
- 2 CONTACTS & RECEPTACLE SHIELD: BRASS.
- 3 CONTACTS & RECEPTACLE SHIELD: 2.54µm [.000100] MIN TIN OVER 1.27µm [.000050] MIN NICKEL.



5786676
 5786676-1
 PART NO

THIS DRAWING IS A CONTROLLED DOCUMENT.		DWN L. VARELA - DOCK5 11-12-04	Tyco Electronics Corporation Harrisburg, PA 17105-3608	
DIMENSIONS: mm [INCHES]		CHK C. ROHDE 11-12-04	NAME RECEPTACLE ASSEMBLY, 6 POSN, RIGHT ANGLE, W/FRONT PANEL GROUNDING FINGERS, CIRCULAR DIN	
TOLERANCES UNLESS OTHERWISE SPECIFIED:		APVD M. WALMSLEY 11-12-04	PRODUCT SPEC 108-10047	
0 PLC ± - 1 PLC ± - 2 PLC ± 0.13 [.005] 3 PLC ± - 4 PLC ± - ANGLES ± 0° 30'		APPLICATION SPEC 114-40025		
MATERIAL		WEIGHT -	SIZE A2	CAGE CODE 00779
FINISH		DRAWING NO C=5786676		RESTRICTED TO -
1 2 3		CUSTOMER DRAWING		SCALE 4:1
		SHEET 1 of 1		REV 01