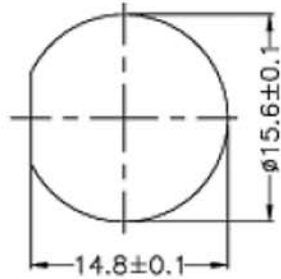
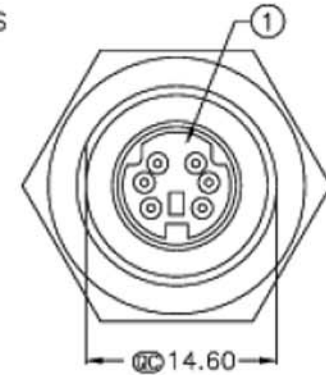
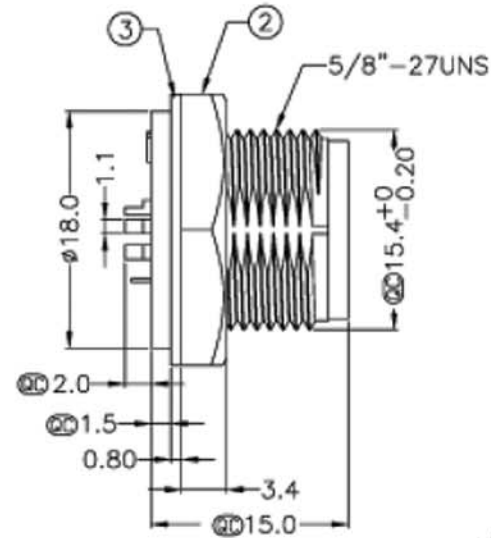
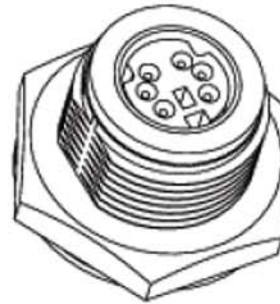




Pin Assignments  
Front View



Recommended Panel Cut-Out



**Notes:**

- Connector: Mini Din Jack
- Gasket: Black, EPDM
- Nut: Black, Nylon+GF



ITEM NO  
A-MD-06PMFS-WP-R

TITLE  
Waterproof Mini Din Connector, 6 Pin

**ASSMANN**  
Electronics, Inc.

1840 W. Drake Drive, Suite 101 - Tempe, AZ 85283  
Toll Free: 1-877-277-6266 Email: info@usa-assmann.com

THIS DRAWING IS UNPUBLISHED  
© Copyright 2008 by Assmann Electronic Components  
All International Rights Reserved