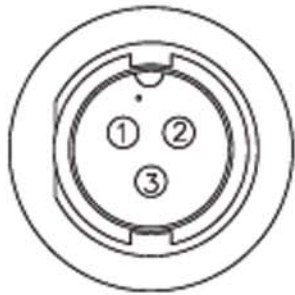
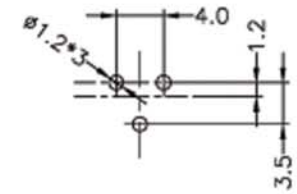
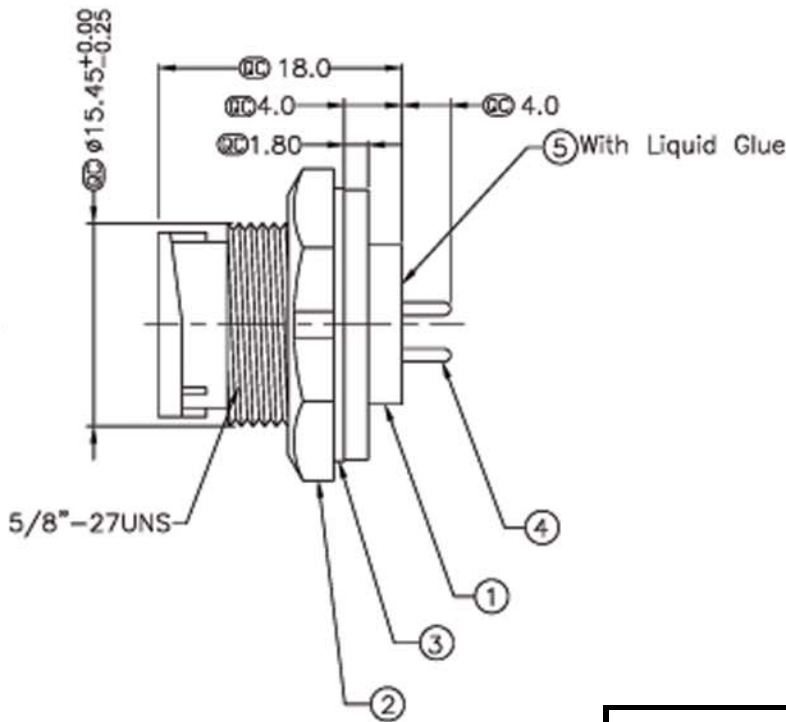
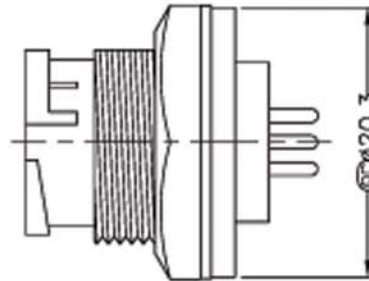
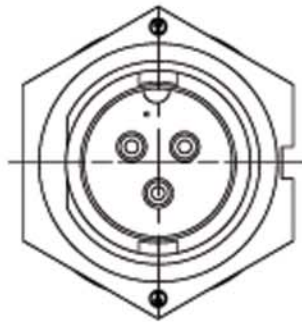


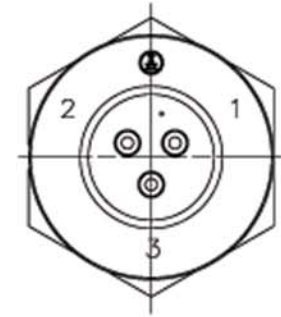
Recommended Panel Cut-Out



Pin Assignments  
Front View



3Pin Male Connector  
Male Pin PCB Layout  
3 Pin  
PCB



**Notes:**

- Waterproof Rate: IP67
- Connector: Black, Nylon+GF
- Pin: Copper Alloy, Gold Plated



ITEM NO  
A-CR-03PMMP-LC-WP-R (Male, 3 Pin)

TITLE  
Waterproof Circular Connector (5A), Solder Type, Panel Mount

**ASSMANN**  
Electronics, Inc.  
1840 W. Drake Drive, Suite 101 - Tempe, AZ 85283  
Toll Free: 1-877-277-6266 Email: info@usa-assmann.com

THIS DRAWING IS UNPUBLISHED  
© Copyright 2008 by Assmann Electronic Components  
All International Rights Reserved