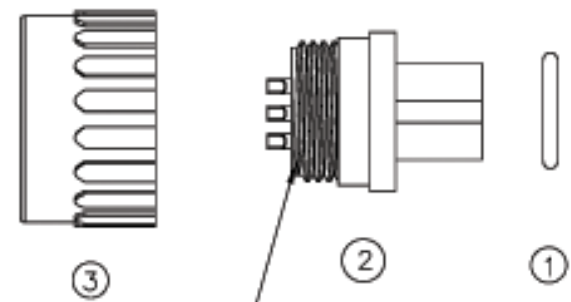
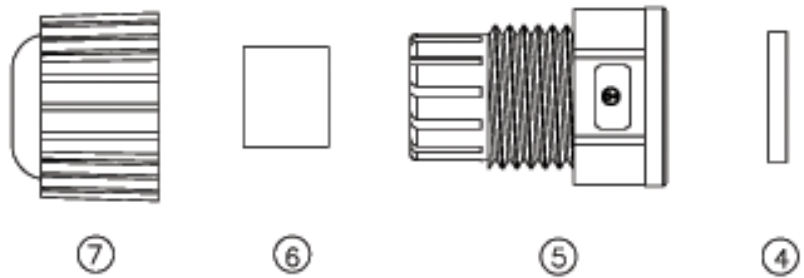
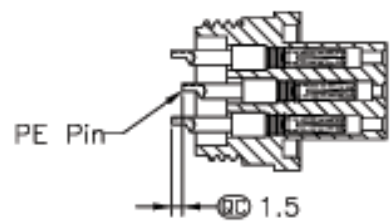
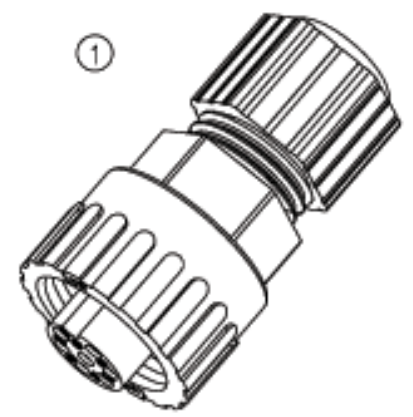


REV.	REV. NO.	DATE	SEEN	DESCRIPTION



With Liquid Glue
點防水膠

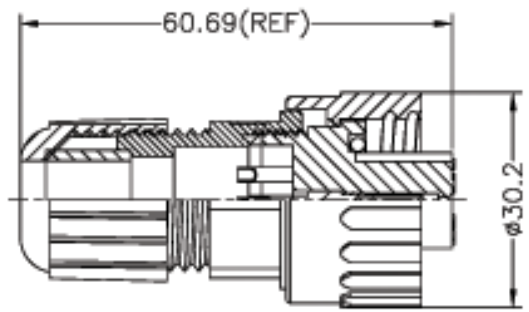


APPROVED
SIGNATURE _____
DATE _____

- Note:
- * @D Important Dimension.
(@D 為重點尺寸)
 - * Waterproof Rate: IP67
 - * Connector: Black, Nylon+GF
 - * Pin: Copper Alloy, Gold Plated
 - * Seals for Cable OD: $\phi 5.5\text{mm} \sim \phi 10.8\text{mm}$
(防水墊圈限用線徑: $\phi 5.5\text{mm} \sim \phi 10.8\text{mm}$)
 - * One Set Unassembled in One PE Bag
(每一組未組裝, 放置於一個PE袋, 并封口)



Pin Assignments
Front View 前視圖



UNIT : mm		TITLE	6+PE Power Connector(8A)	
TOLERANCE		SCALE	Free	SHEET 1 of 1
X ±0.25		REV.	01	SIZE A4
.XX ±0.1				: Inspection Item
.XXX ±0.05				
ANGLES ±1°				



ITEM NO	A-P07BFFA-S180-WP-R	DRAWN BY	Lin Li Qing	DATE	2006/06/19
DWG NO	A-P07BFFA-S180-WP-R	CHECKED BY	Ling	DATE	2006/06/24
		APPROVED BY	Robert Hsu	DATE	2006/06/28

THIS INFORMATION IS CONFIDENTIAL AND IS DISCLOSED TO YOU ON THE CONDITION THAT NO FURTHER DISCLOSURE IS MADE BY YOU TO OTHER THAN THE PERSONNEL WHO HAVE BEEN AUTHORIZED BY YOU TO RECEIVE IT.