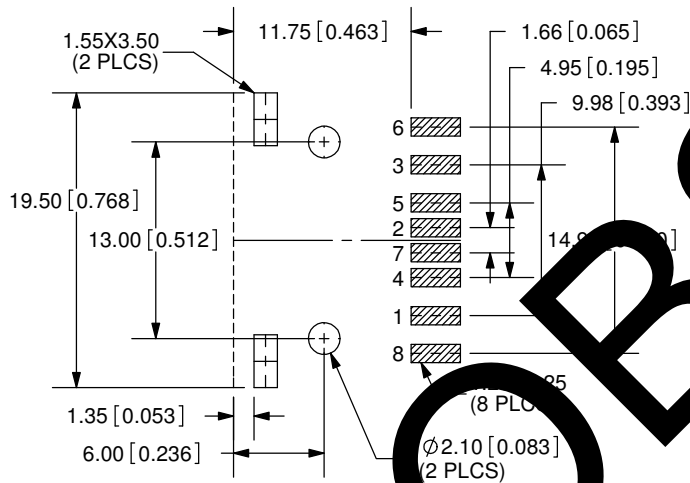
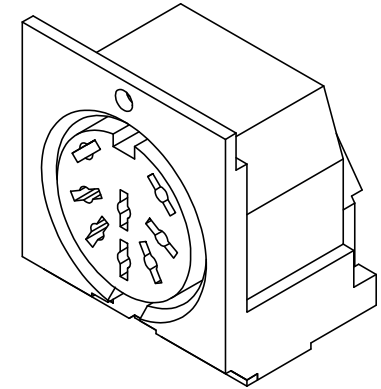
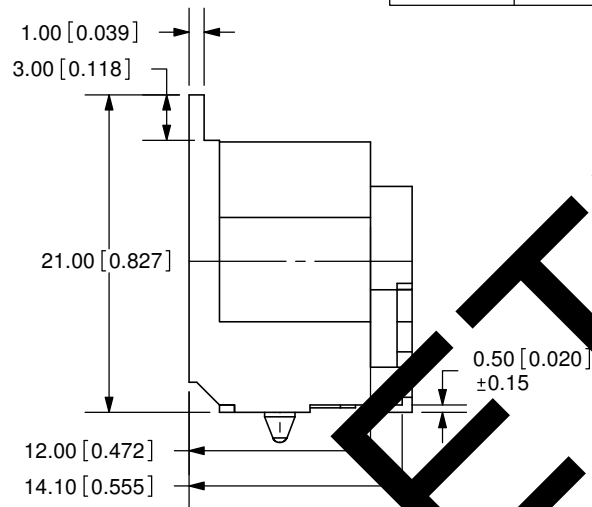
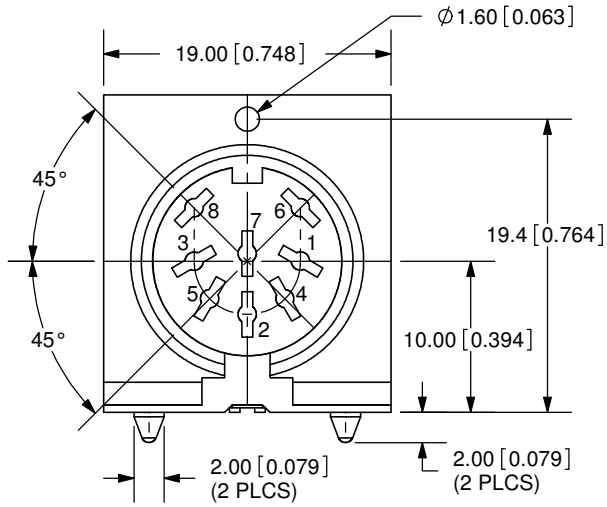


| | | |
|------|-------------|------------|
| REV. | DESCRIPTION | DATE |
| A | NEW DRAWING | 12/19/2005 |



PCB LAYOUT
TOP VIEW

SPECIFICATIONS:
 RATING: 24V DC @ 1A; 100V AC @ 2A
 CONTACT RESISTANCE: 30m OHMS MAX
 INSULATION RESISTANCE: 100M OHMS MIN; 500V DC
 VOLTAGE WITHSTAND: 500V AC R.M.S. FOR 1 MINUTE
 LIFE: 5,000 CYCLES

TOLERANCE:
 X.X ±0.2mm
 X.XX ±0.1mm
 X.XXX ±0.05mm



20050 SW 112th Ave.
 Tualatin, OR 97062
 Phone: 503-612-2300
 800-275-4899
 Fax: 503-612-2383
 Website: www.cui.com

| | MATERIAL | PLATING |
|-----------------|-----------------|---------|
| TERMINALS (1-8) | Brass | Tin |
| EARTH TERMINAL | Phosphor Bronze | Tin |
| HOUSING | PBT | |

| | |
|--|--------------------|
| TITLE: CIRCULAR DIN RECEPTACLE, SMT, 8 PIN | REV: A |
| PART NO. SDS-80J-SMT | UNITS: MM [INCHES] |
| DRAWN BY: ZRJ | APPROVED BY: |
| | SCALE: 2:1 |

PC FILE NAME:
 SDS-80J-SMT

COPYRIGHT 2007 BY CUI INC.