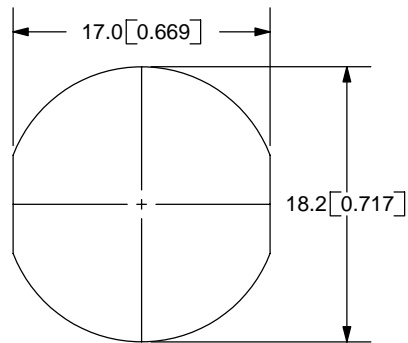
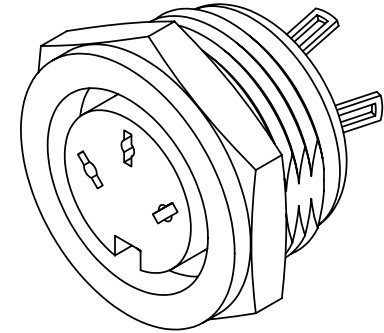
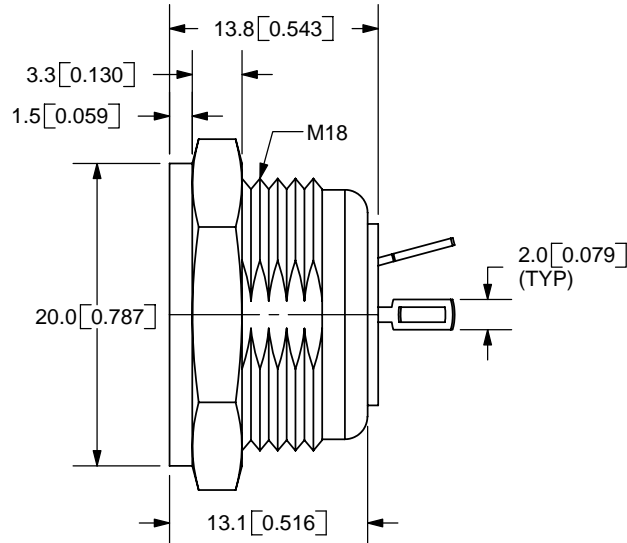
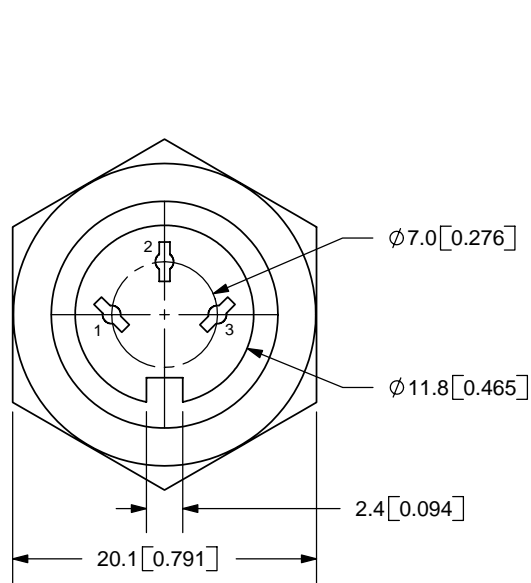


REV.	DESCRIPTION	DATE
A	NEW DRAWING	4/6/2006



Panel Cutout

TOLERANCE:
X.X ±0.2mm
X.XX ±0.1mm
X.XXX ±0.05mm



SPECIFICATIONS:
RATING: 100V AC @ 2A
CONTACT RESISTANCE: 20m OHMS MAX
INSULATION RESISTANCE: 100M OHMS MIN: 500V DC
VOLTAGE WITHSTAND: 1000V AC R.M.S. FOR 1 MINUTE
LIFE: 5,000 CYCLES



9615 SW Allen Blvd., Ste. 103
Beaverton, OR 97005
Phone: 503-643-4899
800-275-4899
Fax: 503-372-1266
Website: www.cui.com

	MATERIAL	PLATING	TITLE: DIN RECEPTACLE, PANEL MOUNT	REV: A
CONTACT TERMINALS	Brass	Silver	PART NO. SD-30LS	UNITS: MM [INCHES]
HEX NUT	Brass	Nickel		
COVER	Brass	Nickel	DRAWN BY: ZRJ	APPROVED BY:
HOUSING	Nylon			

PC FILE NAME:
SD-30LS

COPYRIGHT 2006 BY CUI INC.