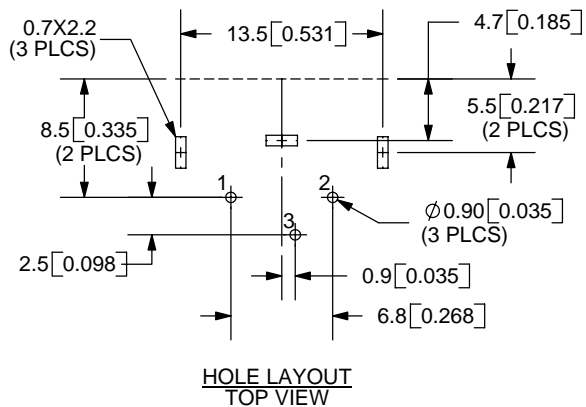
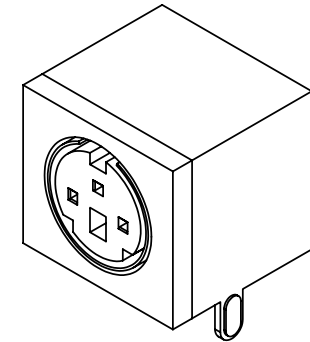
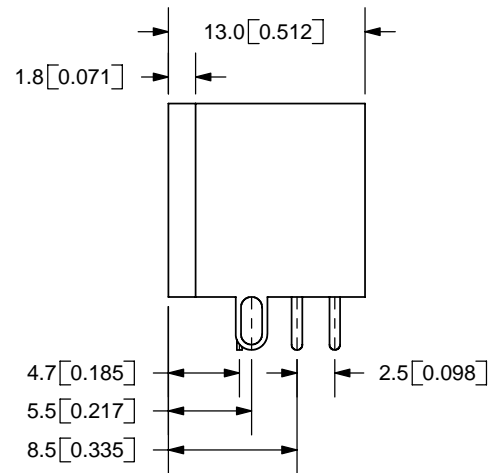
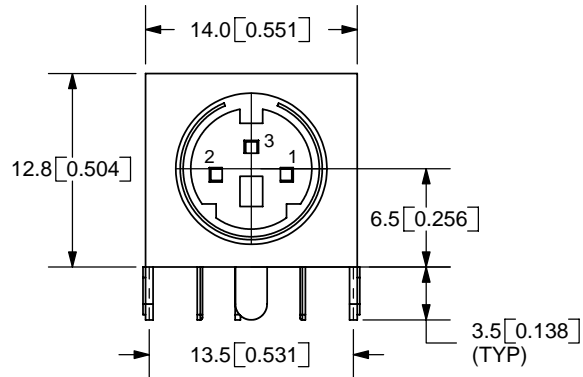


REV.	DESCRIPTION	DATE
A	NEW DRAWING	10/20/2005
B	Added dimensions	3/3/2006



SPECIFICATIONS:
RATING: 12V DC @ 2A; 100V AC @ 1A
INSULATION RESISTANCE: 10M OHMS MIN: 250V DC
VOLTAGE WITHSTAND: 250V AC R.M.S. FOR 1 MINUTE
CONTACT RESISTANCE: 30m OHMS MAX
INSERTION FORCE: 5KG MAX
WITHDRAWAL FORCE: 0.8KG~3.5KG
LIFE: 5,000 CYCLES

TOLERANCE:
±0.2mm UNLESS OTHERWISE
SPECIFIED



20050 SW 112th Ave.
Tualatin, OR 97062
Phone: 503-643-4899
800-275-4899
Fax: 503-372-1266
Website: www.cui.com

	MATERIAL	PLATING	TITLE: MINIATURE CIRCULAR DIN CONNECTOR	REV: B
SHIELDING PLATE	Steel	Tin	PART NO. MD-30SM	UNITS: MM [INCHES]
CONTACT TERMINALS (1-3)	Phosphor Bronze	Silver		
EARTH TERMINALS	Brass	Tin	DRAWN BY: ZRJ	APPROVED BY:
HOUSING	PBT			

PC FILE NAME:
MD-30SM

COPYRIGHT 2006 BY CUI INC.