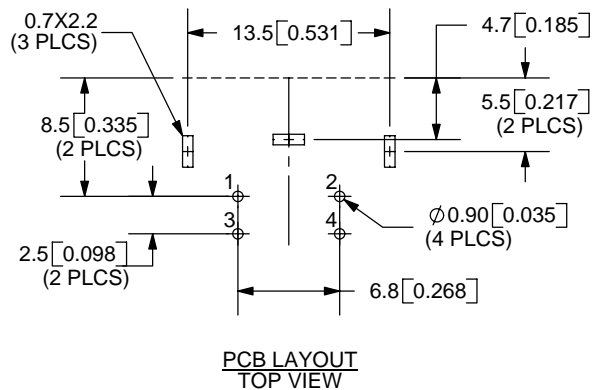
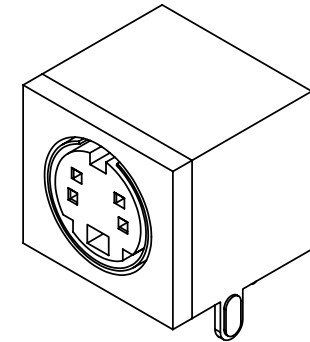
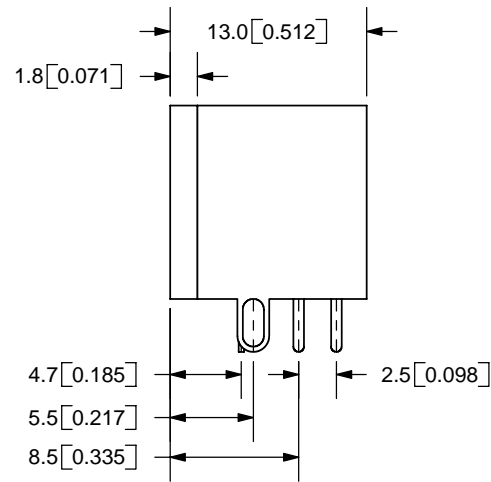
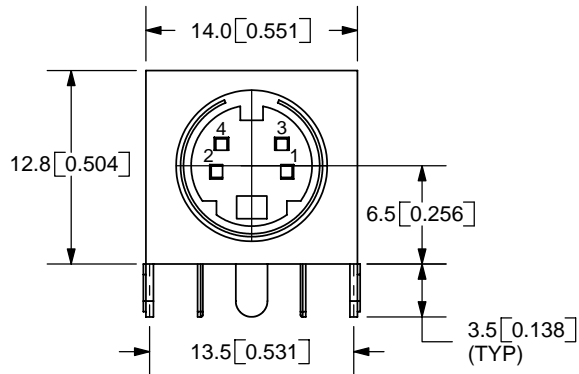


REV.	DESCRIPTION	DATE
A	NEW DRAWING	10/20/2005
B	Added dimensions	3/3/2006



**SPECIFICATIONS:**  
 RATING: 12V DC @ 2A; 100V AC @ 1A  
 INSULATION RESISTANCE: 10M OHMS MIN: 250V DC  
 VOLTAGE WITHSTAND: 250V AC R.M.S. FOR 1 MINUTE  
 CONTACT RESISTANCE: 30m OHMS MAX  
 INSERTION FORCE: 5KG MAX  
 WITHDRAWAL FORCE: 0.8KG~3.5KG  
 LIFE: 5,000 CYCLES

TOLERANCE:  
 ±0.2mm UNLESS OTHERWISE  
 SPECIFIED



20050 SW 112th Ave.  
 Tualatin, OR 97062  
 Phone: 503-643-4899  
 800-275-4899  
 Fax: 503-372-1266  
 Website: www.cui.com

	MATERIAL	PLATING	TITLE: MINIATURE CIRCULAR DIN CONNECTOR	REV: B
SHIELDING PLATE	Steel	Tin	PART NO. MD-40SM	UNITS: MM [INCHES]
CONTACT TERMINALS (1-4)	Phosphor Bronze	Silver		
EARTH TERMINALS	Brass	Tin	DRAWN BY: ZRJ	APPROVED BY:
HOUSING	PBT			

PC FILE NAME:  
 MD-40SM

COPYRIGHT 2006 BY CUI INC.