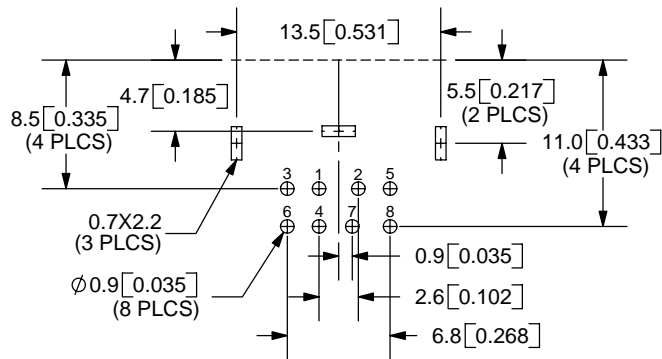
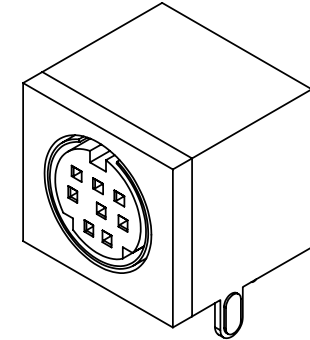
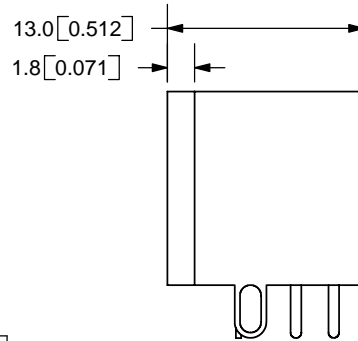
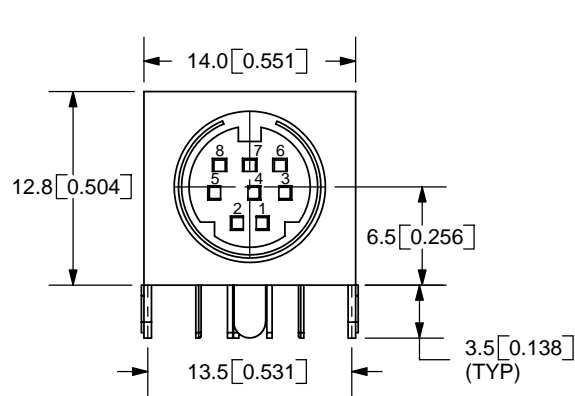


REV.	DESCRIPTION	DATE
A	NEW DRAWING	12/5/2005
B	Added dimensions	3/3/2006



HOLE LAYOUT  
TOP VIEW

**SPECIFICATIONS:**

RATING: 12V DC @ 2A; 100V AC @ 1A  
 INSULATION RESISTANCE: 50M OHMS MIN; 250V DC  
 VOLTAGE WITHSTAND: 250V AC R.M.S. FOR 1 MINUTE  
 CONTACT RESISTANCE: 30m OHMS MAX  
 INSERTION FORCE: 5KG MAX  
 WITHDRAWAL FORCE: 0.8KG~3.5KG  
 LIFE: 5,000 CYCLES

TOLERANCE:  
±0.2mm UNLESS OTHERWISE  
SPECIFIED



**CUI INC**

20050 SW 112th Ave.  
 Tualatin, OR 97062  
 Phone: 503-643-4899  
 800-275-4899  
 Fax: 503-372-1266  
 Website: www.cui.com

PC FILE NAME:  
MD-80SM

COPYRIGHT 2006 BY CUI INC.

	MATERIAL	PLATING	TITLE: MINIATURE CIRCULAR DIN CONNECTOR	REV: B
SHIELDING PLATE	Steel	Tin	PART NO. MD-80SM	UNITS: MM [INCHES]
CONTACTOR	Phosphor Bronze	Silver		
TERMINAL	Brass	Tin	DRAWN BY: ZRJ	APPROVED BY:
HOUSING	PBT			