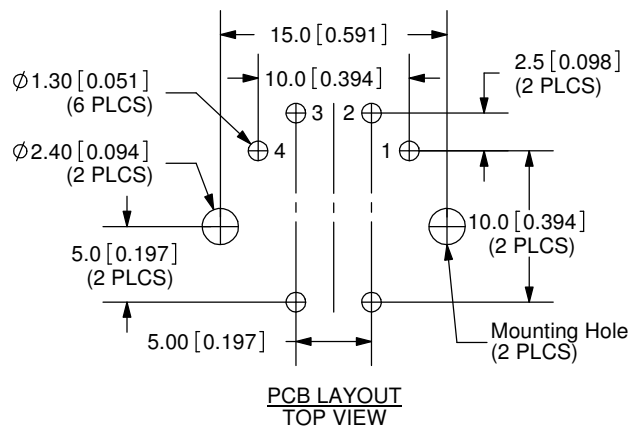
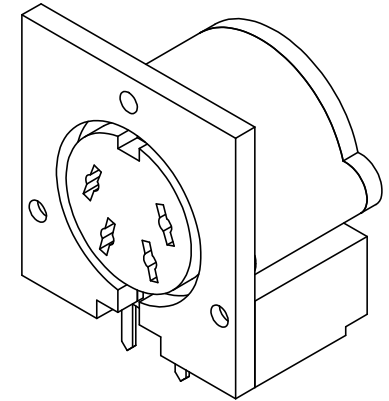
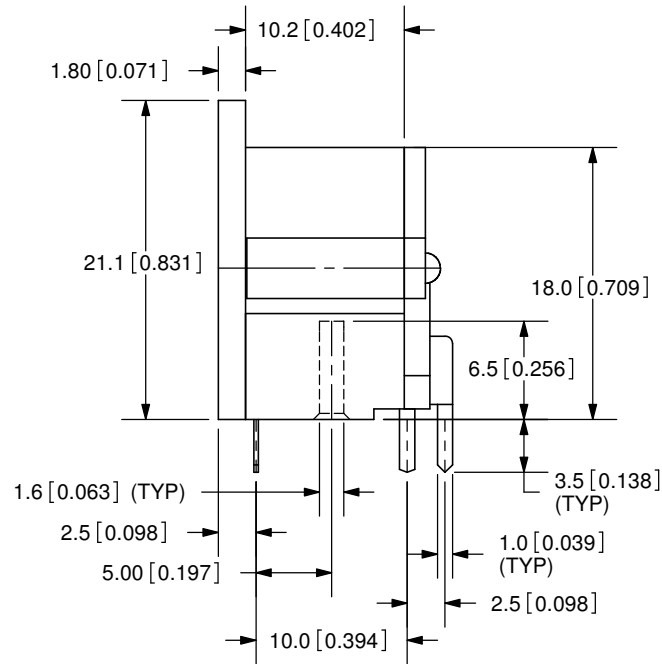
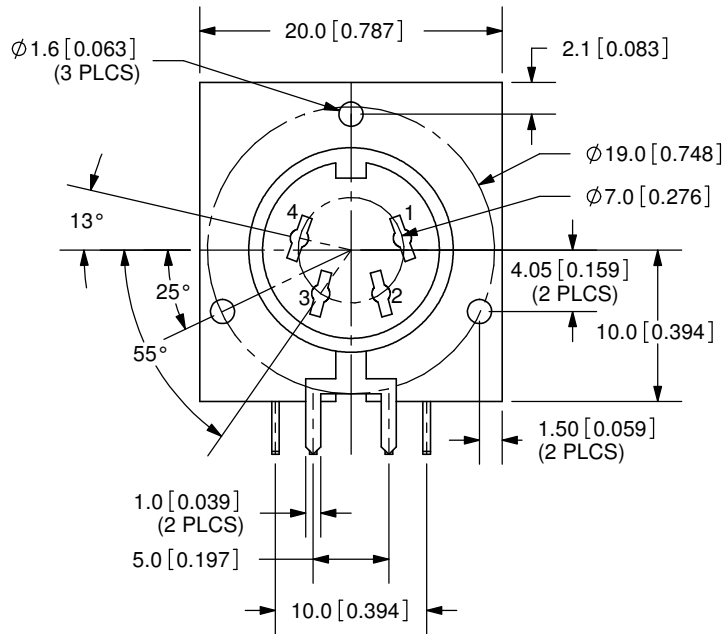


REV.	DESCRIPTION	DATE
A	NEW DRAWING	12/27/2005
B	Added dimensions	4/3/2006
C	Updated material list	5/15/2006



**SPECIFICATIONS:**  
RATING: 24V DC @ 1A; 100V AC @ 2A  
CONTACT RESISTANCE: 20m OHMS MAX  
INSULATION RESISTANCE: 100M OHMS MIN; 500V DC  
VOLTAGE WITHSTAND: 500V AC R.M.S. FOR 1 MINUTE  
INSERTION FORCE: 5.0KG MAX  
WITHDRAWAL FORCE: 0.6KG~3.0KG  
LIFE: 5,000 CYCLES

**TOLERANCE:**  
X.X ±0.2mm  
X.XX ±0.1mm  
X.XXX ±0.05mm



20050 SW 112th Ave.  
Tualatin, OR 97062  
Phone: 503-612-2300  
800-275-4899  
Fax: 503-612-2383  
Website: www.cui.com

	MATERIAL	PLATING
EARTH TERMINAL	Phosphor Bronze	Tin
TERMINALS (1-4)	Brass	Tin
HOUSING	PBT	

TITLE: STANDARD CIRCULAR CONN. w/o SHIELD		REV: C
PART NO. SDS-40J		UNITS: MM [INCHES]
DRAWN BY: ZRJ	APPROVED BY:	SCALE: 2:1

PC FILE NAME:  
SDS-40J

COPYRIGHT 2007 BY CUI INC.