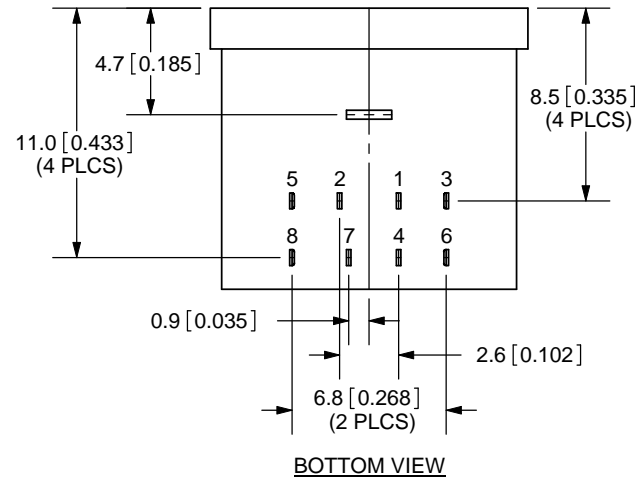
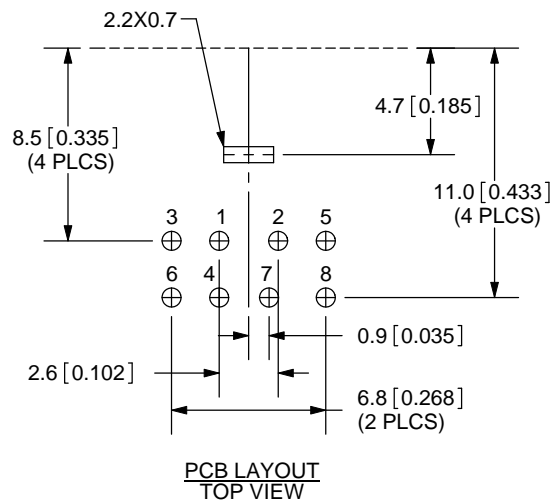
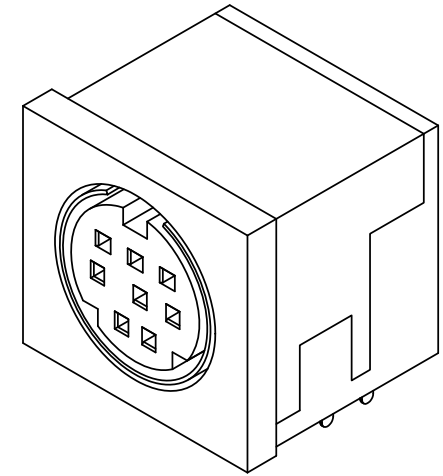
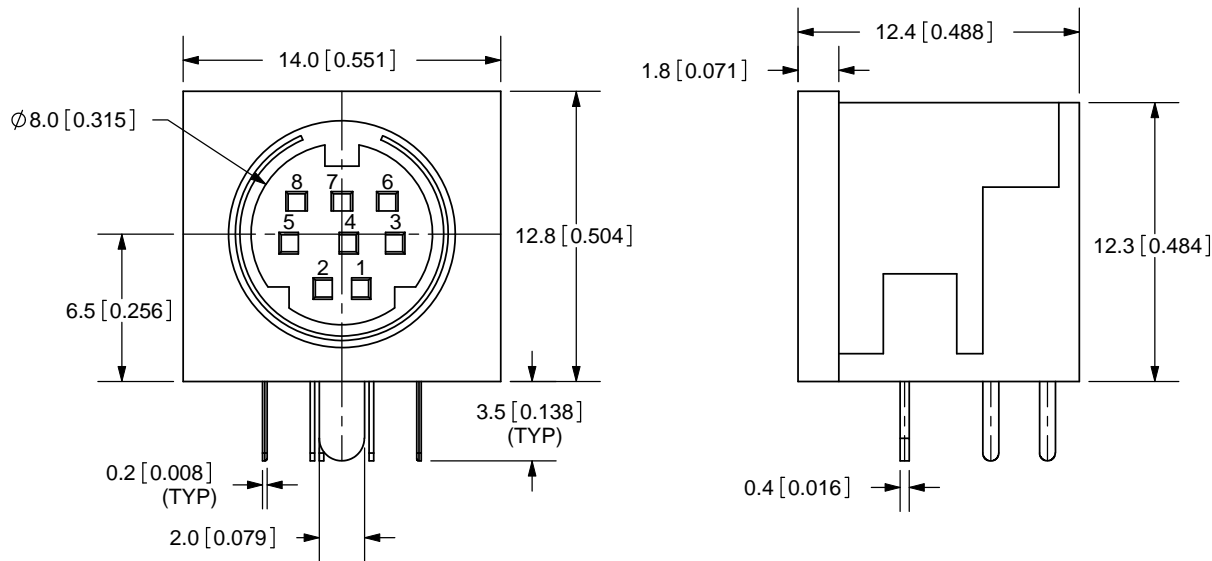


REV.	DESCRIPTION	DATE
A	NEW DRAWING	12/21/2005
B	updated drawing	6/10/2008



BOTTOM VIEW

SPECIFICATIONS:
 RATING: 12V DC @ 2A; 100V AC @ 1A
 CONTACT RESISTANCE: 30m OHMS MAX
 INSULATION RESISTANCE: 50M OHMS MIN; 250V DC
 VOLTAGE WITHSTAND: 250V AC R.M.S. FOR 1 MINUTE
 INSERTION FORCE: 4.5KG MAX
 WITHDRAWAL FORCE: 0.8KG~3.0KG
 LIFE: 5,000 CYCLES

TOLERANCE:
 ±0.3mm UNLESS OTHERWISE
 SPECIFIED



20050 SW 112th Ave.
 Tualatin, OR 97062
 Phone: 503-612-2300
 800-275-4899
 Fax: 503-612-2383
 Website: www.cui.com

PC FILE NAME:
 MD-80S

COPYRIGHT 2008 BY CUI INC.

	MATERIAL	PLATING
CONTACT TERMINALS (1-8)	Phosphor Bronze	Silver
EARTH TERMINAL	Brass	Tin
HOUSING	PBT	

TITLE: MINIATURE CIRCULAR DIN CONNECTOR		REV: B
PART NO. MD-80S		UNITS: MM [INCHES]
DRAWN BY: ZRJ	APPROVED BY:	SCALE: 3:1