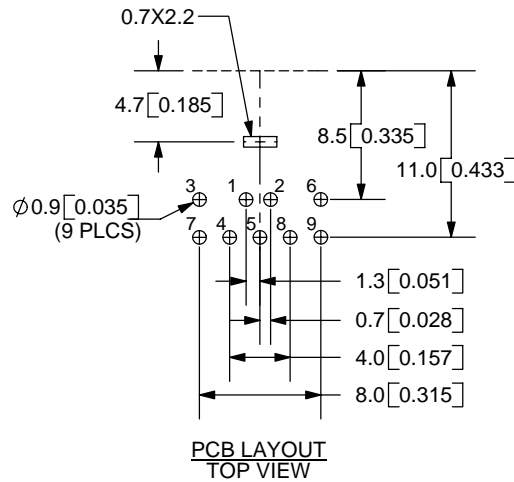
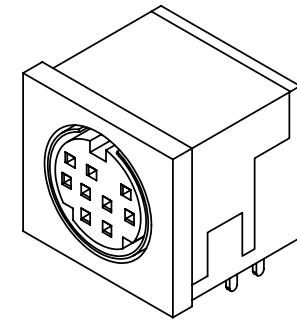
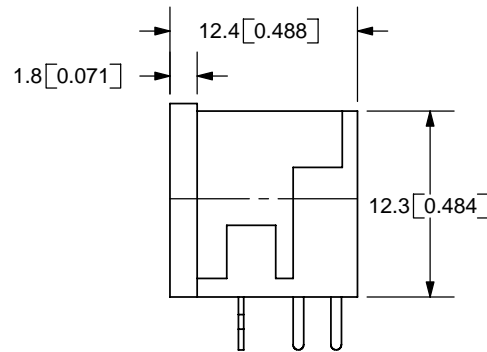
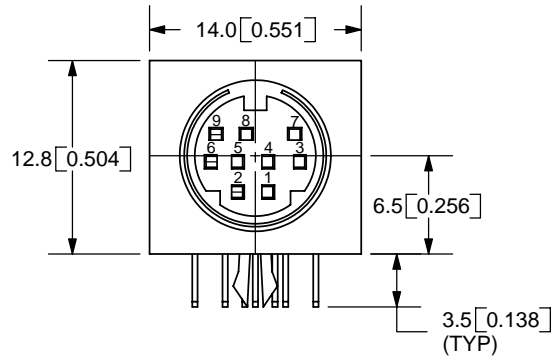


REV.	DESCRIPTION	DATE
A	NEW DRAWING	12/21/2005



**SPECIFICATIONS:**  
 RATING: 12V DC @ 2A; 100V AC @ 1A  
 INSULATION RESISTANCE: 50M OHMS MIN; 250V DC  
 VOLTAGE WITHSTAND: 250V AC R.M.S. FOR 1 MINUTE  
 CONTACT RESISTANCE: 30m OHMS MAX  
 INSERTION FORCE: 5.0KG MAX  
 WITHDRAWAL FORCE: 0.8KG~3.5KG  
 LIFE: 5,000 CYCLES



TOLERANCE:  
±0.2mm



20050 SW 112th Ave.  
 Tualatin, OR 97062  
 Phone: 503-643-4899  
 800-275-4899  
 Fax: 503-372-1266  
 Website: www.cui.com

TITLE: MINIATURE CIRCULAR DIN CONNECTOR		REV: A
PART NO. MD-90S		UNITS: MM [INCHES]
DRAWN BY: ZRJ	APPROVED BY:	SCALE: 2:1

	MATERIAL	PLATING
TERMINAL 1	Phosphor Bronze	Silver
TERMINAL 2	Brass	Tin
HOUSING	PBT	

PC FILE NAME:  
MD-90S

COPYRIGHT 2006 BY CUI INC.