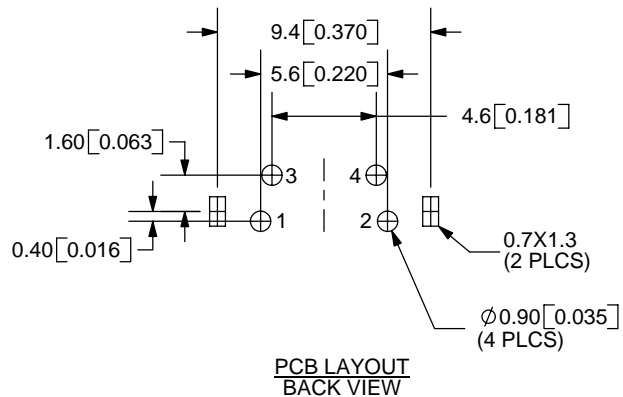
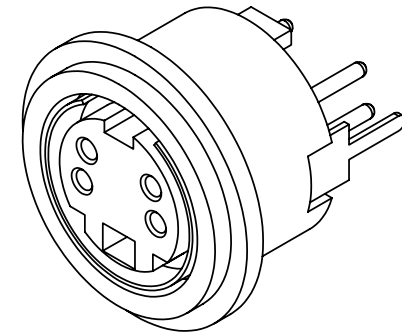
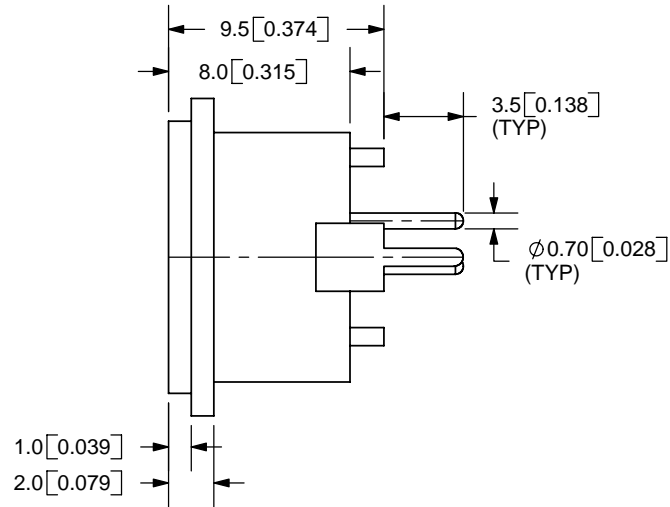
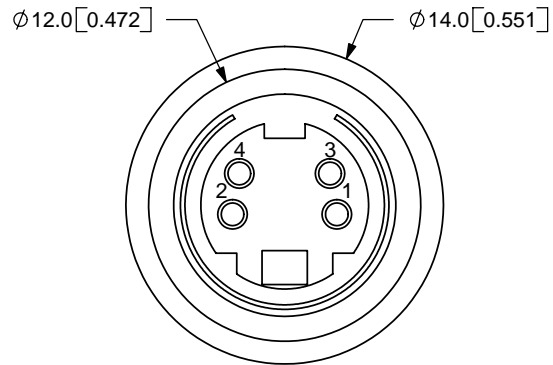


REV.	DESCRIPTION	DATE
A	NEW DRAWING	12/2/2005



TOLERANCE:  
±0.2mm



20050 SW 112th Ave.  
Tualatin, OR 97062  
Phone: 503-643-4899  
800-275-4899  
Fax: 503-372-1266  
Website: www.cui.com

**SPECIFICATIONS:**

RATING: 12V DC @ 2A; 100V AC @ 1A  
INSULATION RESISTANCE: 50M OHMS MIN; 250V DC  
VOLTAGE WITHSTAND: 250V AC R.M.S. FOR 1 MINUTE  
CONTACT RESISTANCE: 30m OHMS MAX  
INSERTION FORCE: 4.5KG MAX  
WITHDRAWAL FORCE: 0.8KG~3KG  
LIFE: 5,000 CYCLES

	MATERIAL	PLATING
TERMINALS (1-4)	Phosphor Bronze	Silver
EARTH TERMINAL	Brass	Tin
HOUSING	PBT	

TITLE: MINI CIRCULAR CON.-VERTICAL MOUNT	REV: A
PART NO. MD-40SV	UNITS: MM [INCHES]
DRAWN BY: ZRJ	APPROVED BY:
	SCALE: 3:1

PC FILE NAME:  
MD-40SV

COPYRIGHT 2006 BY CUI INC.