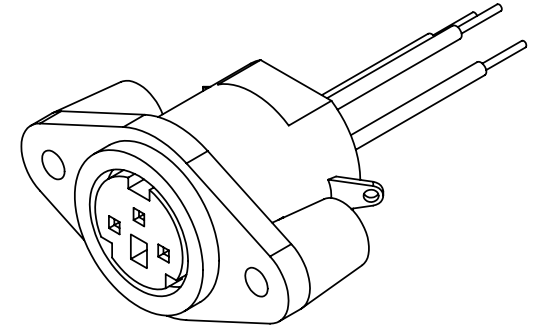
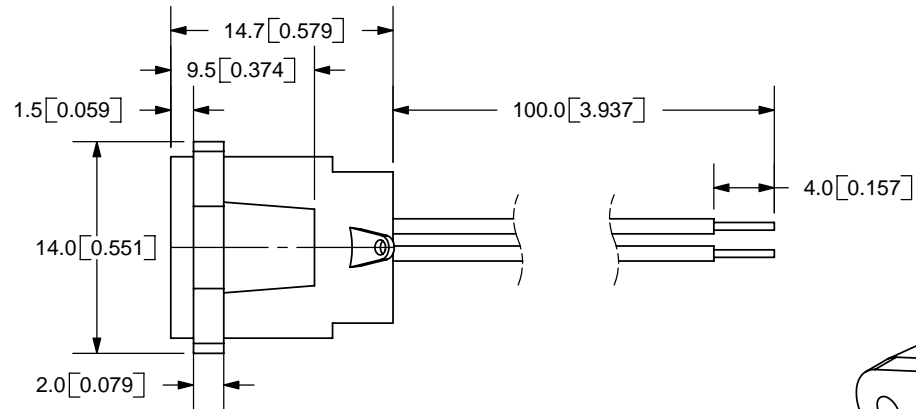
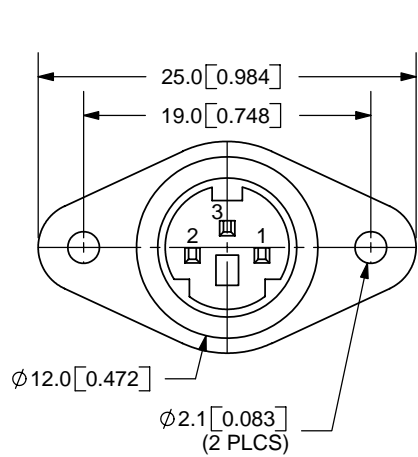
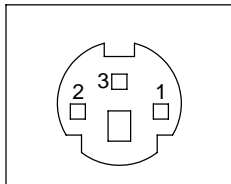


REV.	DESCRIPTION	DATE
A	NEW DRAWING	12/12/2005



TOLERANCE:
±0.2mm



1	BLACK
2	GREEN
3	ORANGE

SPECIFICATIONS:

RATING: 12V DC @ 2A; 100V AC @ 1A
 INSULATION RESISTANCE: 50M OHMS MIN; 250V DC
 VOLTAGE WITHSTAND: 250V AC R.M.S. FOR 1 MINUTE
 CONTACT RESISTANCE: 30m OHMS MAX
 INSERTION FORCE: 4.5KG MAX
 WITHDRAWAL FORCE: 0.8KG~3.0KG
 LIFE: 5,000 CYCLES



20050 SW 112th Ave.
 Tualatin, OR 97062
 Phone: 503-643-4899
 800-275-4899
 Fax: 503-372-1266
 Website: www.cui.com

TERMINAL	MATERIAL	PLATING	TITLE:	REV:
TERMINAL 1	Brass	Tin	MINI-DIN RECEPTACLE, PANEL MT, 3P	A
TERMINAL 2	Phosphor Bronze	Tin	PART NO. MD-30PL100 UNITS: MM [INCHES]	
WIRE	AWG #26			
HOUSING	PBT		DRAWN BY: ZRJ	APPROVED BY:
			SCALE: 2:1	

PC FILE NAME:
MD-30PL100

COPYRIGHT 2006 BY CUI INC.