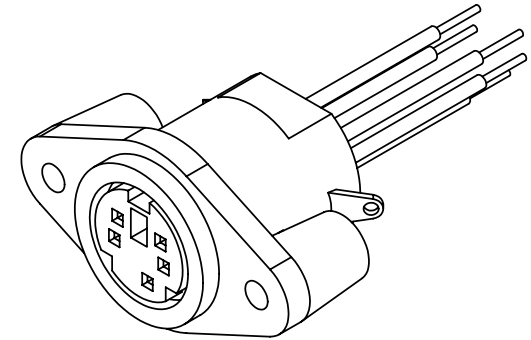
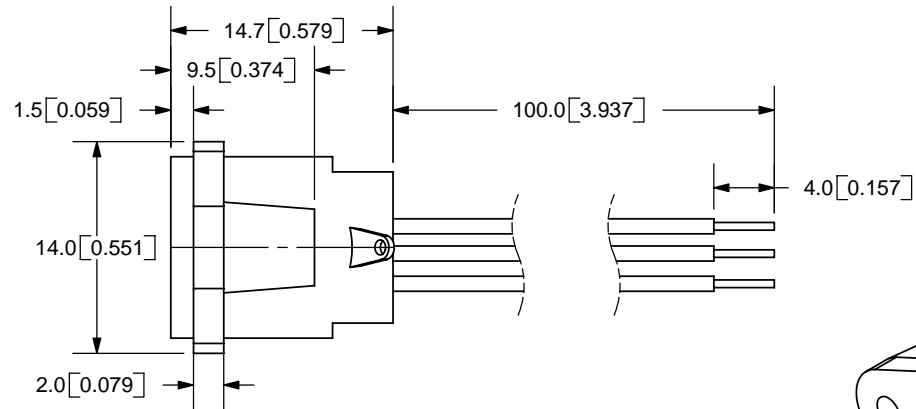
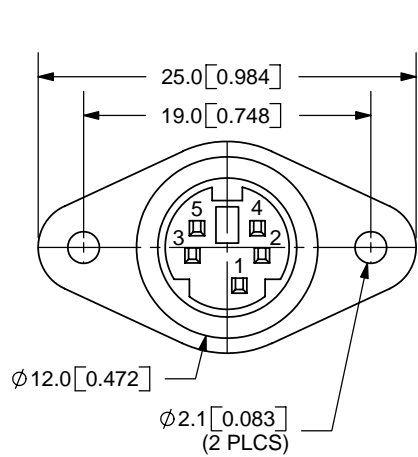


REV.	DESCRIPTION	DATE
A	NEW DRAWING	12/12/2005



TOLERANCE:
±0.2mm

1	BROWN
2	BLACK
3	GREEN
4	YELLOW
5	RED

SPECIFICATIONS:
 RATING: 12V DC @ 2A; 100V AC @ 1A
 INSULATION RESISTANCE: 50M OHMS MIN; 250V DC
 VOLTAGE WITHSTAND: 250V AC R.M.S. FOR 1 MINUTE
 CONTACT RESISTANCE: 30m OHMS MAX
 INSERTION FORCE: 4.5KG MAX
 WITHDRAWAL FORCE: 0.8KG~3.0KG
 LIFE: 5,000 CYCLES



20050 SW 112th Ave.
 Tualatin, OR 97062
 Phone: 503-643-4899
 800-275-4899
 Fax: 503-372-1266
 Website: www.cui.com

	MATERIAL	PLATING	TITLE: MINI-DIN RECEPTACLE, PANEL MT, 5P	REV: A
TERMINAL 1	Brass	Tin	PART NO. MD-50PL100	UNITS: MM [INCHES]
TERMINAL 2	Phosphor Bronze	Tin		
WIRE	AWG #26		DRAWN BY: ZRJ	APPROVED BY:
HOUSING	PBT			

PC FILE NAME:
MD-50PL100

COPYRIGHT 2006 BY CUI INC.