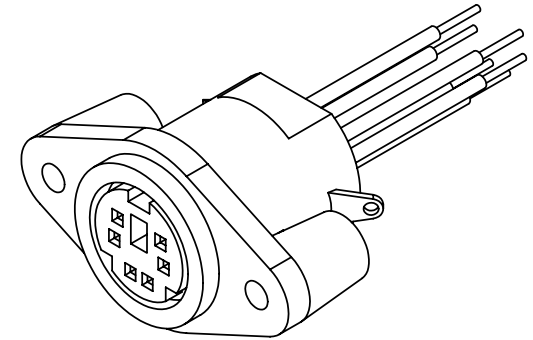
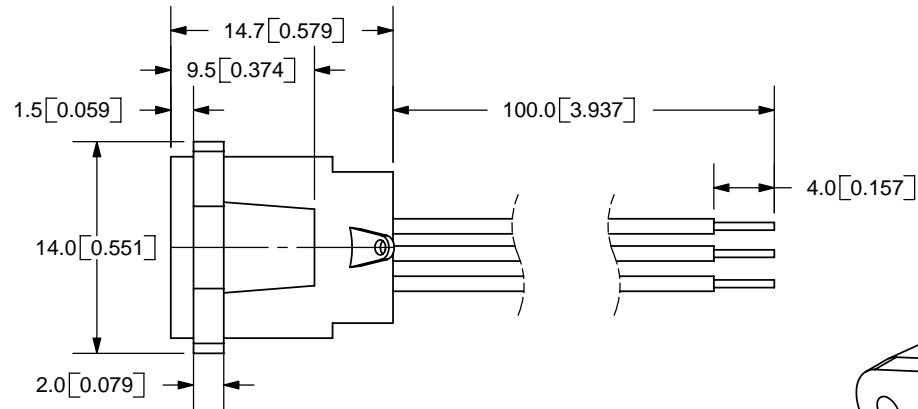
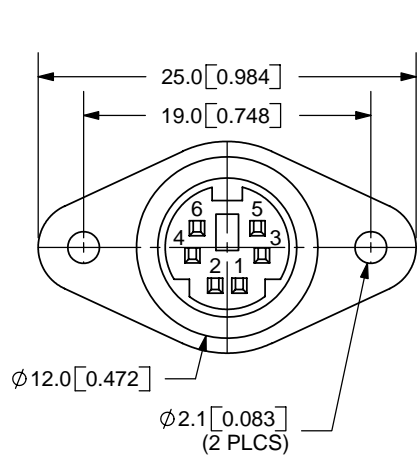


REV.	DESCRIPTION	DATE
A	NEW DRAWING	12/12/2005



TOLERANCE:  
±0.2mm

1	BROWN
2	WHITE
3	BLACK
4	GREEN
5	YELLOW
6	RED

**SPECIFICATIONS:**

RATING: 12V DC @ 2A; 100V AC @ 1A  
 INSULATION RESISTANCE: 50M OHMS MIN; 250V DC  
 VOLTAGE WITHSTAND: 250V AC R.M.S. FOR 1 MINUTE  
 CONTACT RESISTANCE: 30m OHMS MAX  
 INSERTION FORCE: 4.5KG MAX  
 WITHDRAWAL FORCE: 0.8KG~3.0KG  
 LIFE: 5,000 CYCLES



**CUI INC**

20050 SW 112th Ave.  
 Tualatin, OR 97062  
 Phone: 503-643-4899  
 800-275-4899  
 Fax: 503-372-1266  
 Website: www.cui.com

PC FILE NAME:  
MD-60PL100

COPYRIGHT 2006 BY CUI INC.

	MATERIAL	PLATING	TITLE: MINI-DIN RECEPTACLE, PANEL MT, 6P	REV: A
TERMINAL 1	Brass	Tin	PART NO. MD-60PL100	UNITS: MM [INCHES]
TERMINAL 2	Phosphor Bronze	Tin		
WIRE	AWG #26		DRAWN BY: ZRJ	APPROVED BY:
HOUSING	PBT			