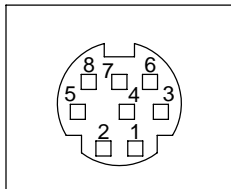
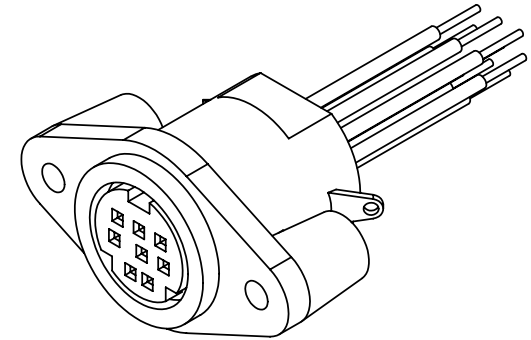
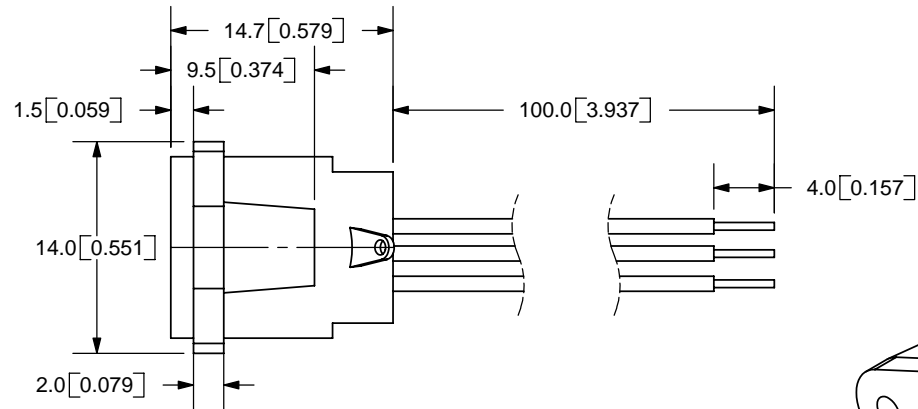
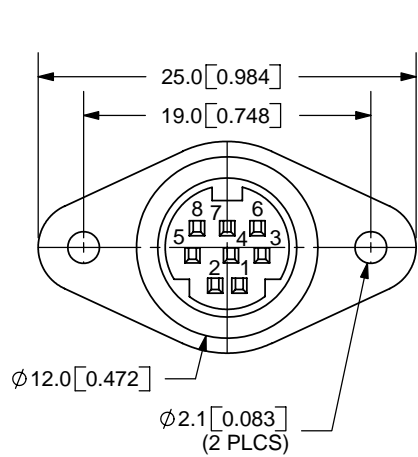


REV.	DESCRIPTION	DATE
A	NEW DRAWING	12/12/2005



1	BROWN
2	WHITE
3	BLACK
4	BLUE
5	GREEN
6	YELLOW
7	ORANGE
8	RED

SPECIFICATIONS:

RATING: 12V DC @ 2A; 100V AC @ 1A
 INSULATION RESISTANCE: 50M OHMS MIN; 250V DC
 VOLTAGE WITHSTAND: 250V AC R.M.S. FOR 1 MINUTE
 CONTACT RESISTANCE: 30m OHMS MAX
 INSERTION FORCE: 4.5KG MAX
 WITHDRAWAL FORCE: 0.8KG~3.0KG
 LIFE: 5,000 CYCLES

	MATERIAL	PLATING
TERMINAL 1	Brass	Tin
TERMINAL 2	Phosphor Bronze	Tin
WIRE	AWG #26	
HOUSING	PBT	

TOLERANCE:
±0.2mm



20050 SW 112th Ave.
 Tualatin, OR 97062
 Phone: 503-643-4899
 800-275-4899
 Fax: 503-372-1266
 Website: www.cui.com

PC FILE NAME:
MD-80PL100

COPYRIGHT 2006 BY CUI INC.

TITLE:	MINI-DIN RECEPTACLE, PANEL MT, 8P	REV:	A
PART NO.	MD-80PL100	UNITS:	MM [INCHES]
DRAWN BY:	ZRJ	APPROVED BY:	
		SCALE:	2:1