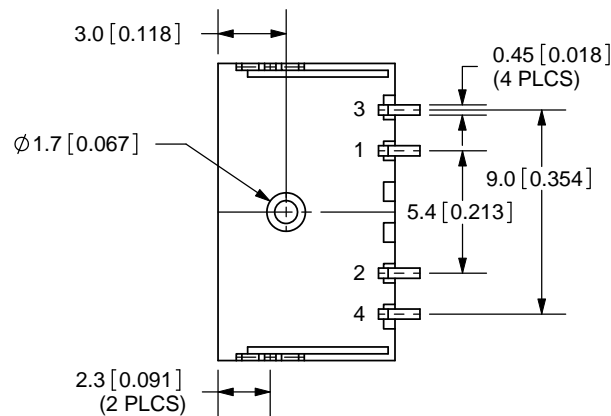
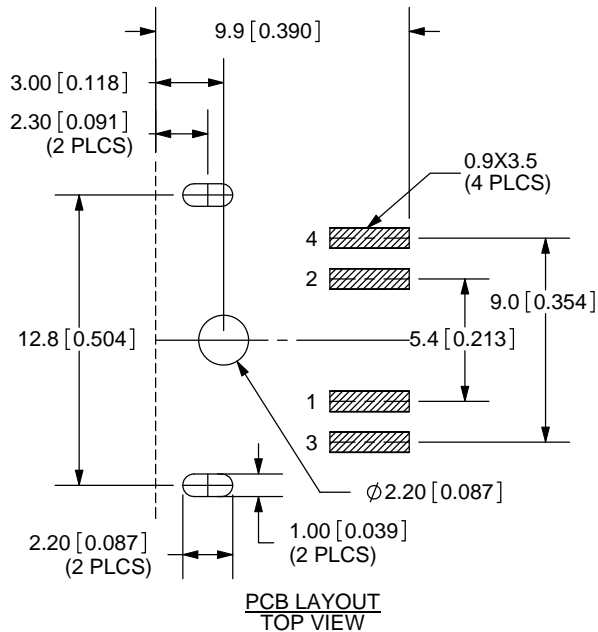
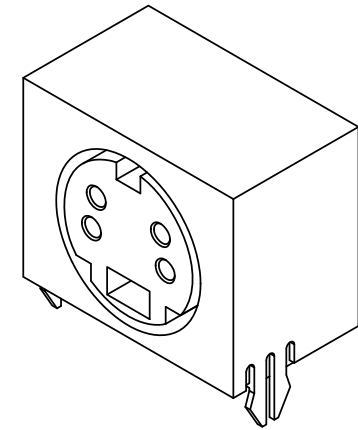
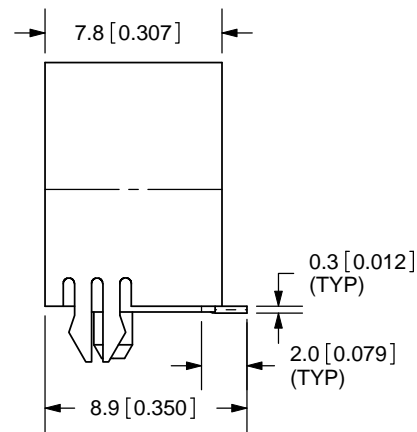
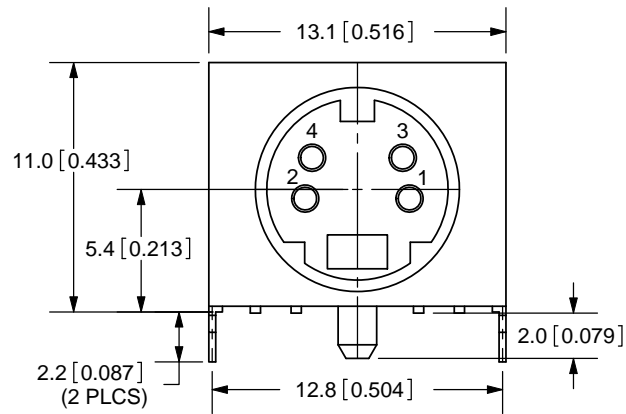


REV.	DESCRIPTION	DATE
A	NEW DRAWING	4/11/2005
B	Added pin dimensions	5/4/2006
C	PCB layout clarification	12/14/2007



TOLERANCE:  
X.X  $\pm 0.2$ mm  
X.XX  $\pm 0.1$ mm  
X.XXX  $\pm 0.05$ mm



**SPECIFICATIONS:**  
RATING: 12V DC @ 2A; 100V AC @ 1A  
CONTACT RESISTANCE: 30m OHMS MAX  
INSULATION RESISTANCE: 50M OHMS MIN; 250V DC  
VOLTAGE WITHSTAND: 250V AC R.M.S. FOR 1 MINUTE  
INSERTION FORCE: 4.5KG MAX  
WITHDRAWAL FORCE: 0.8KG~3.5KG  
LIFE: 5,000 CYCLES

	MATERIAL	PLATING
TERMINALS (1-4)	Phosphor Bronze	Silver
EARTH TERMINAL	Brass	Tin
HOUSING	PBT	



20050 SW 112th Ave.  
Tualatin, OR 97062  
Phone: 503-612-2300  
800-275-4899  
Fax: 503-612-2383  
Website: www.cui.com

TITLE:	MINIATURE CIRCULAR DIN CONNECTOR, SMT		REV:	C
PART NO.	MD2-40ST-SMT	UNITS:	MM [INCHES]	
DRAWN BY:	ZRJ	APPROVED BY:		SCALE:
				3:1

PC FILE NAME:  
MD2-40ST-SMT

COPYRIGHT 2007 BY CUI INC.