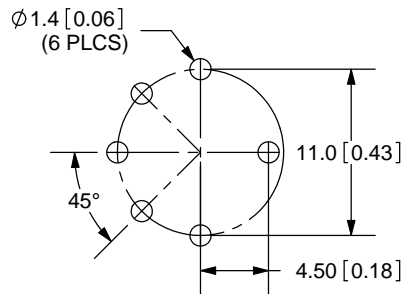
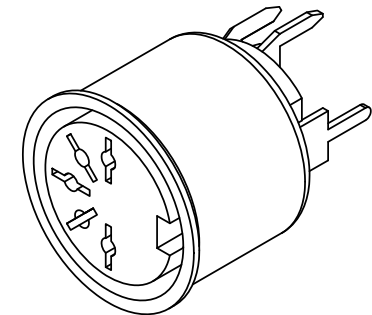
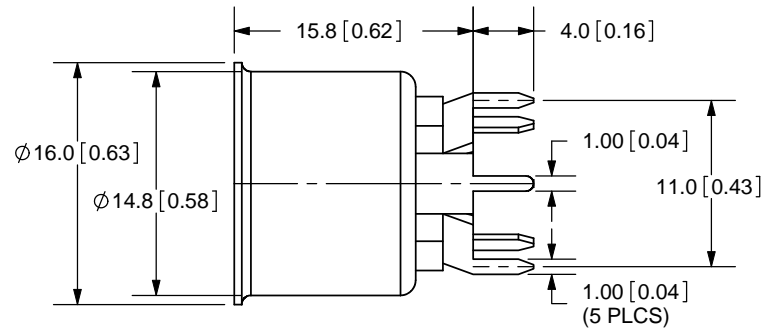
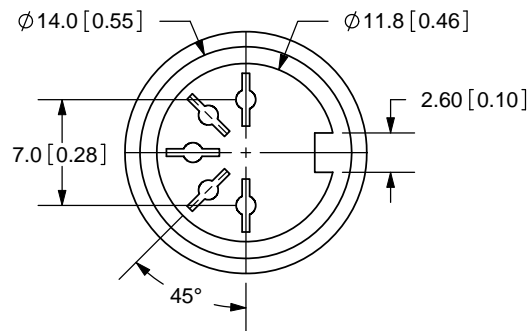


REV.	DESCRIPTION	DATE
A	NEW DRAWING	12/5/2005
B	rating update	8/28/2008



PCB LAYOUT
FRONT VIEW

TOLERANCE:
X. ±0.5
X.X ±0.3mm
X.XX ±0.15mm



CUI INC

20050 SW 112th Ave.
Tualatin, OR 97062
Phone: 503-612-2300
800-275-4899
Fax: 503-612-2383
Website: www.cui.com

SPECIFICATIONS:
RATING: 24V DC @ 1A PER PIN
CONTACT RESISTANCE: 50m OHMS MAX
INSULATION RESISTANCE: 100M OHMS MIN: 500V DC
VOLTAGE WITHSTAND: 500V AC R.M.S. FOR 1 MINUTE
LIFE: 5,000 CYCLES

	MATERIAL	PLATING	TITLE: DIN RECEPTACLE, VERTICAL, PCB 5P	REV: B
CONTACTOR	Brass	Silver	PART NO. SD-50BV	UNITS: MM [INCHES]
SLEEVE	Phosphor Bronze	Silver		
COVER	Iron Sheet	Nickel	DRAWN BY: ZRJ	APPROVED BY:
MOUTH BUSHING	PBT-94V0 G15			

PC FILE NAME:
SD-50BV

COPYRIGHT 2008 BY CUI INC.