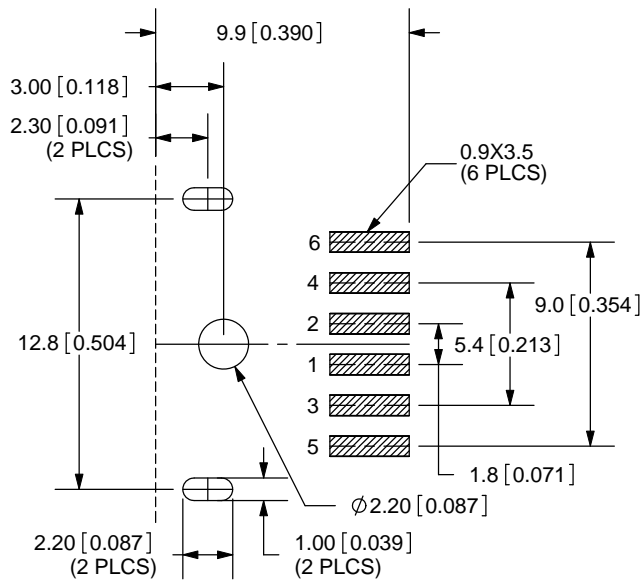
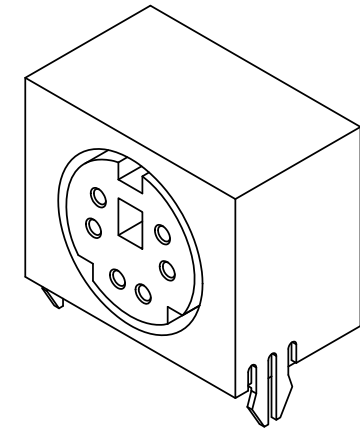
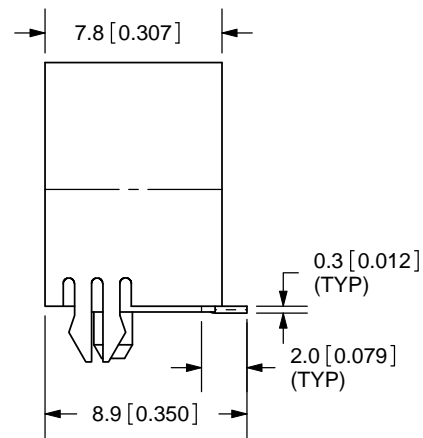
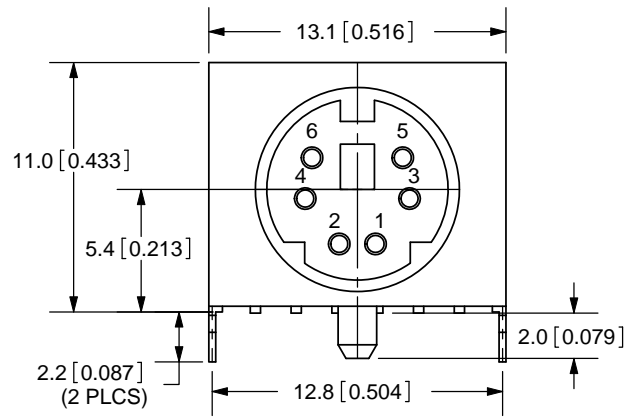
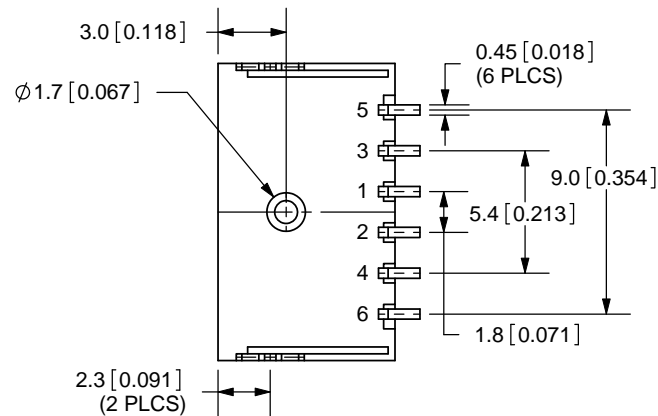


REV.	DESCRIPTION	DATE
A	NEW DRAWING	4/11/2005
B	Added pin dimensions	5/4/2006
C	PCB layout clarification	12/14/2007



PCB LAYOUT
TOP VIEW



TOLERANCE:
X.X ±0.2mm
X.XX ±0.1mm
X.XXX ±0.05mm



SPECIFICATIONS:
RATING: 12V DC @ 2A; 100V AC @ 1A
CONTACT RESISTANCE: 30m OHMS MAX
INSULATION RESISTANCE: 50M OHMS MIN; 250V DC
VOLTAGE WITHSTAND: 250V AC R.M.S. FOR 1 MINUTE
INSERTION FORCE: 4.5KG MAX
WITHDRAWAL FORCE: 0.8KG~3.5KG
LIFE: 5,000 CYCLES



20050 SW 112th Ave.
Tualatin, OR 97062
Phone: 503-612-2300
800-275-4899
Fax: 503-612-2383
Website: www.cui.com

PC FILE NAME:
MD2-60ST-SMT

COPYRIGHT 2007 BY CUI INC.

		MATERIAL	PLATING	TITLE: MINIATURE CIRCULAR DIN CONNECTOR, SMT		REV: C
TERMINALS (1-6)	Phosphor Bronze	Silver	PART NO. MD2-60ST-SMT	UNITS: MM [INCHES]		
EARTH TERMINAL	Brass	Tin	DRAWN BY: ZRJ	APPROVED BY:	SCALE: 3:1	
HOUSING	PBT					