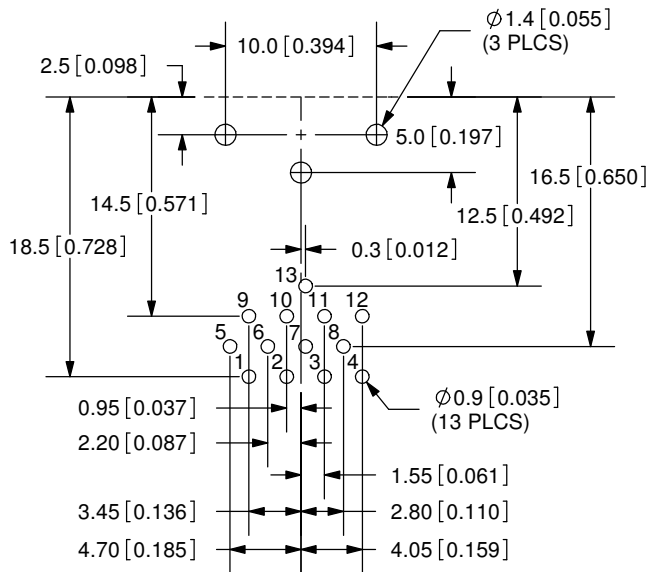
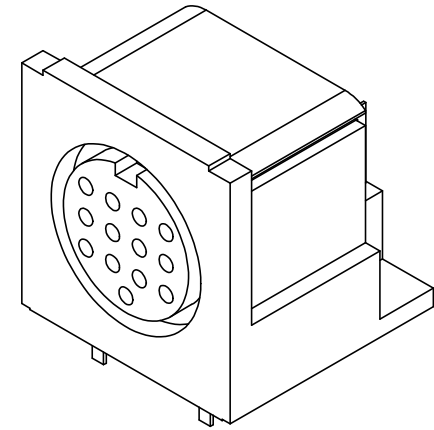
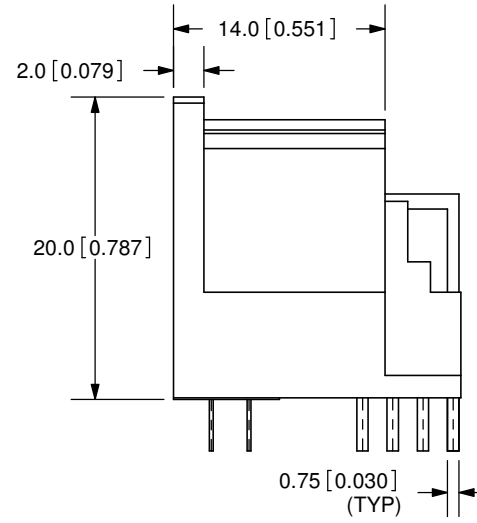
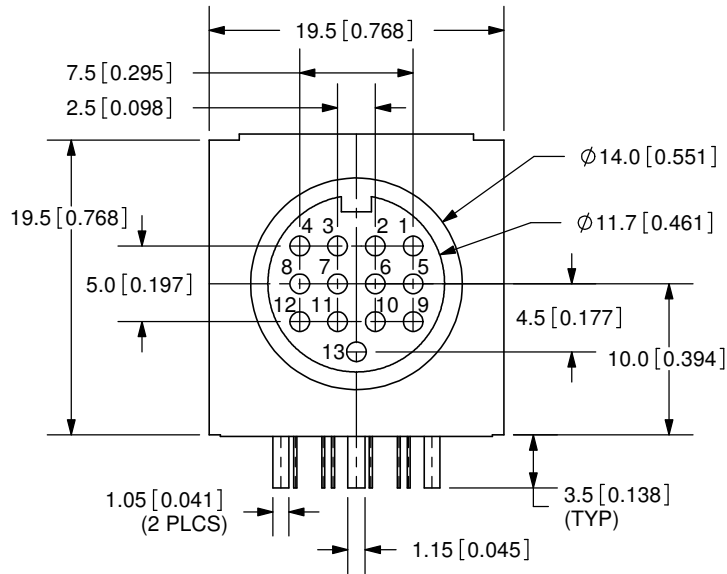


REV.	DESCRIPTION	DATE
A	NEW DRAWING	12/12/2005



PCB LAYOUT
TOP VIEW

SPECIFICATIONS:

RATING: 12V DC @ 2A; 100V AC @ 1A
 CONTACT RESISTANCE: 100m OHMS MAX
 INSULATION RESISTANCE: 100M OHMS MIN; 500V DC
 VOLTAGE WITHSTAND: 500V AC R.M.S. FOR 1 MINUTE
 INSERTION FORCE: 3.0KG MAX
 WITHDRAWAL FORCE: 0.5KG~2.0KG
 LIFE: 5,000 CYCLES

TOLERANCE:
 X.X ±0.2mm
 X.XX ±0.1mm
 X.XXX ±0.05mm



20050 SW 112th Ave.
 Tualatin, OR 97062
 Phone: 503-612-2300
 800-275-4899
 Fax: 503-612-2383
 Website: www.cui.com

	MATERIAL	PLATING	TITLE: STANDARD CIRCULAR CONN. w/SHIELD	REV: A
EARTH TERMINAL	Phosphor Bronze	Tin	PART NO. SDF-130J	UNITS: MM [INCHES]
TERMINALS (1-13)	Phosphor Bronze	Silver		
SHIELDING PLATE	Phosphor Bronze	Nickel	DRAWN BY: ZRJ	APPROVED BY:
HOUSING	PBT			

PC FILE NAME:
SDF-130J

COPYRIGHT 2007 BY CUI INC.