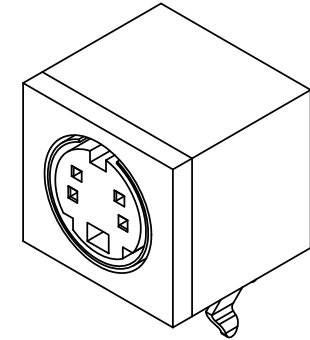
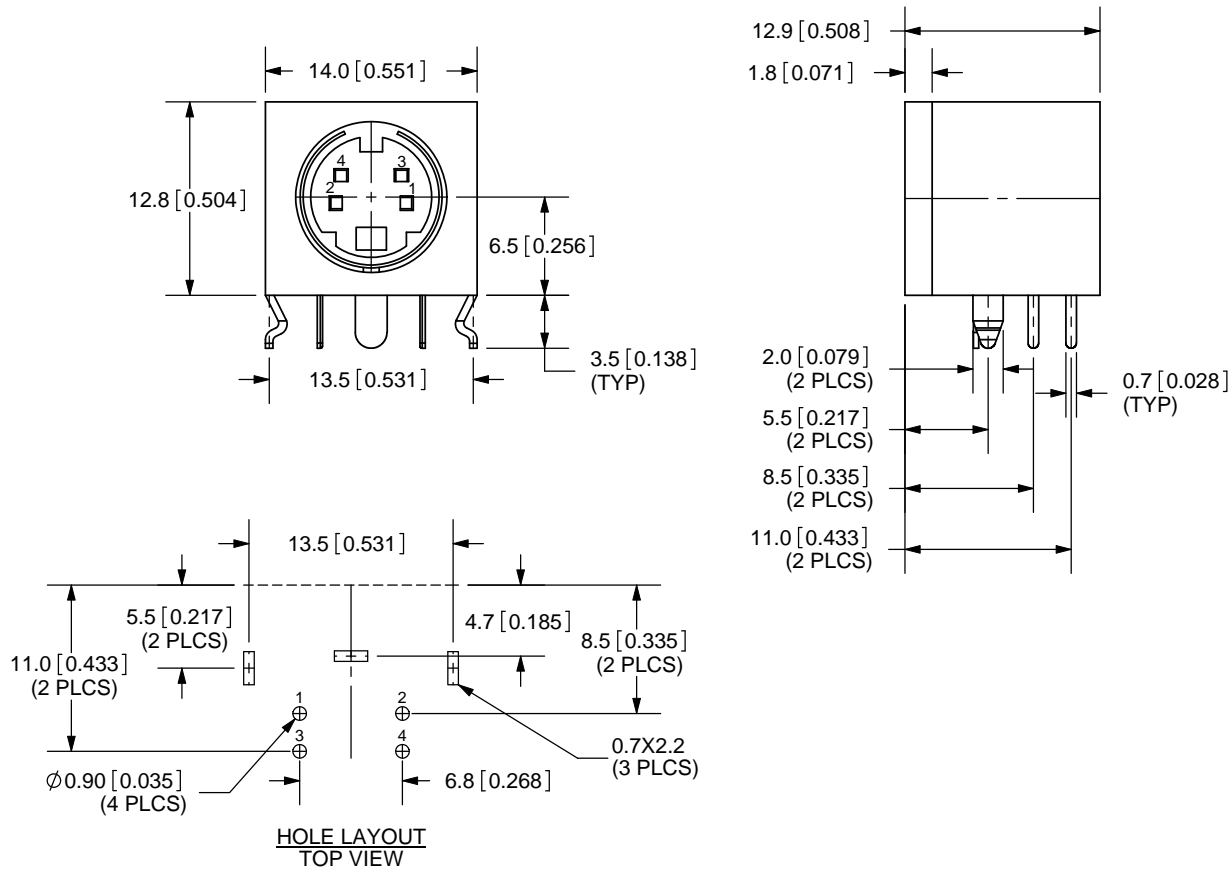


REV.	DESCRIPTION	DATE
A	NEW DRAWING	10/25/2005
B	added missing dimensions	1/29/2008



TOLERANCE:  
±0.2mm UNLESS OTHERWISE  
SPECIFIED



20050 SW 112th Ave.  
Tualatin, OR 97062  
Phone: 503-612-2300  
800-275-4899  
Fax: 503-612-2383  
Website: www.cui.com

**SPECIFICATIONS:**  
 RATING: 12V DC @ 2A; 100V AC @ 1A  
 INSULATION RESISTANCE: 10M OHMS MIN; 250V DC  
 VOLTAGE WITHSTAND: 250V AC R.M.S. FOR 1 MINUTE  
 CONTACT RESISTANCE: 30m OHMS MAX  
 INSERTION FORCE: 5KG MAX  
 WITHDRAWAL FORCE: 0.8KG~3.5KG  
 LIFE: 5,000 CYCLES

	MATERIAL	PLATING	TITLE: MINIATURE CIRCULAR DIN CONNECTOR	REV: B
SHIELDING PLATE	Steel	Tin	PART NO. MD-40SMK	UNITS: MM [INCHES]
CONTACT TERMINALS (1-4)	Phosphor Bronze	Silver		
EARTH TERMINALS	Brass	Tin	DRAWN BY: ZRJ	APPROVED BY:
HOUSING	PBT			

PC FILE NAME:  
MD-40SMK

COPYRIGHT 2008 BY CUI INC.