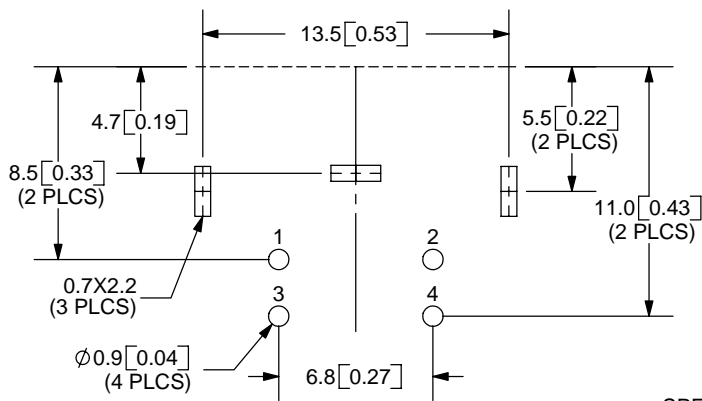
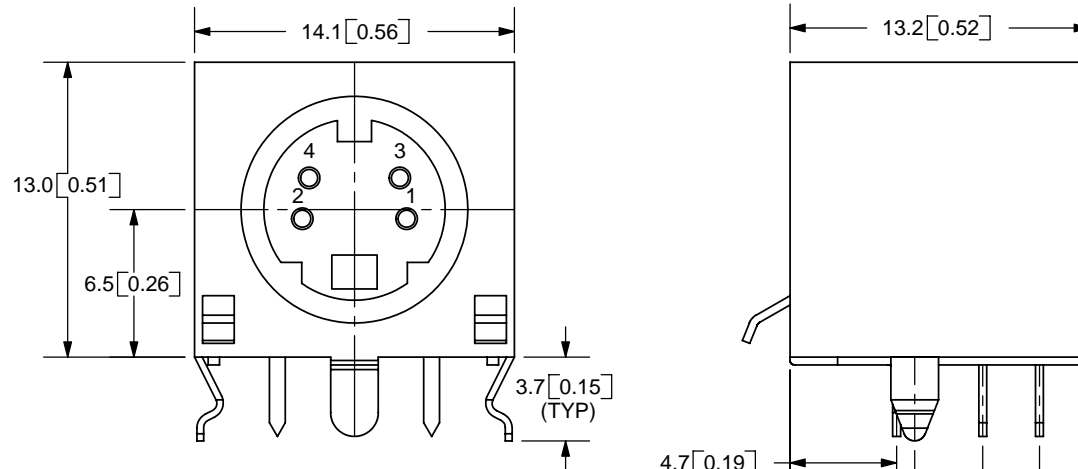
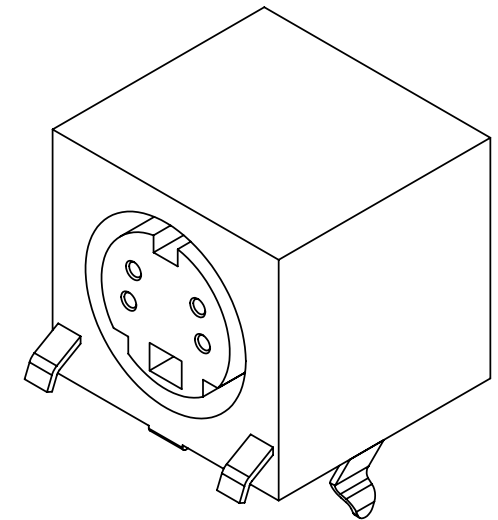


REV.	DESCRIPTION	DATE
A	NEW DRAWING	1/19/2006



PCB LAYOUT
TOP VIEW

SPECIFICATIONS:
RATING: 12V DC @ 2A; 100V AC @ 1A
INSULATION RESISTANCE: 50M OHMS MIN: 250V DC
VOLTAGE WITHSTAND: 250V AC R.M.S. FOR 1 MINUTE
CONTACT RESISTANCE: 30m OHMS MAX
INSERTION FORCE: 1.0KG~4.5KG
WITHDRAWAL FORCE: 0.8KG~3.0KG
LIFE: 5,000 CYCLES



TOLERANCE:
±0.2mm UNLESS OTHERWISE
SPECIFIED



20050 SW 112th Ave.
Tualatin, OR 97062
Phone: 503-643-4899
800-275-4899
Fax: 503-372-1266
Website: www.cui.com

	MATERIAL	PLATING
CONTACT TERMINALS	Phosphor Bronze	Silver
EARTH TERMINALS	Brass	Tin
HOUSING	PBT	

TITLE:	MINIATURE CIRCULAR CON. - FULLY SHIELDED	REV:	A
PART NO.	MD-40SGK	UNITS:	MM [INCHES]
DRAWN BY:	ZRJ	APPROVED BY:	
		SCALE:	3:1

PC FILE NAME:
MD-40SGK

COPYRIGHT 2006 BY CUI INC.