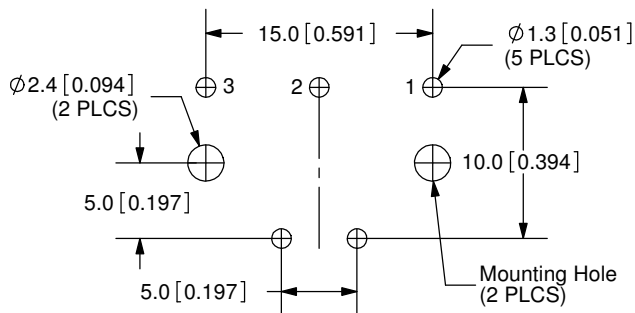
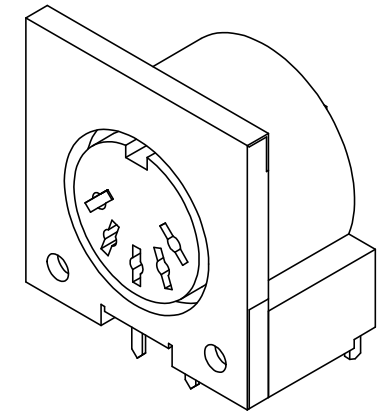
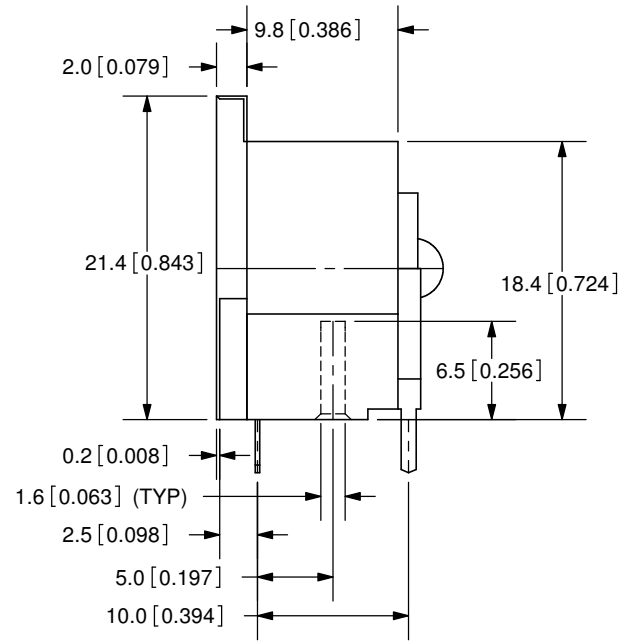
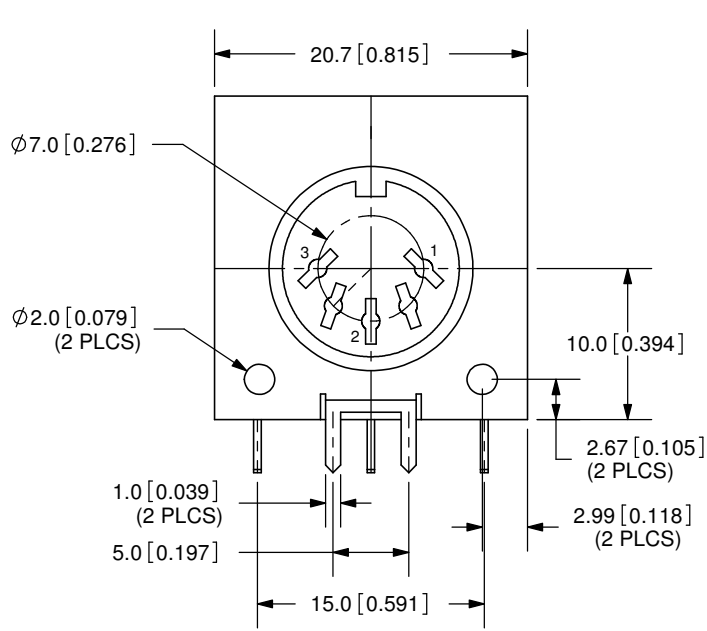


REV.	DESCRIPTION	DATE
A	NEW DRAWING	3/7/2006
B	Added dimensions	4/3/2006
C	Updated material list	5/15/2006



PCB LAYOUT  
TOP VIEW

**SPECIFICATIONS:**  
 RATING: 24V DC @ 1A; 100V AC @ 2A  
 CONTACT RESISTANCE: 20m OHMS MAX  
 INSULATION RESISTANCE: 100M OHMS MIN; 500V DC  
 VOLTAGE WITHSTAND: 500V AC R.M.S. FOR 1 MINUTE  
 INSERTION FORCE: 5.0KG MAX  
 WITHDRAWAL FORCE: 0.6KG~3.0KG  
 LIFE: 5,000 CYCLES

TOLERANCE:  
 ±0.2mm UNLESS OTHERWISE  
 SPECIFIED



20050 SW 112th Ave.  
 Tualatin, OR 97062  
 Phone: 503-612-2300  
 800-275-4899  
 Fax: 503-612-2383  
 Website: www.cui.com

	MATERIAL	PLATING	TITLE:	REV:
EARTH TERMINAL	Phosphor Bronze	Nickel	STANDARD CIRCULAR CONN. w/ SHIELD	C
TERMINALS (1-3)	Brass	Tin	PART NO. SDF-30J	UNITS: MM [INCHES]
HOUSING	PBT		DRAWN BY: ZRJ	APPROVED BY:
				SCALE: 2:1

PC FILE NAME:  
SDF-30J

COPYRIGHT 2007 BY CUI INC.