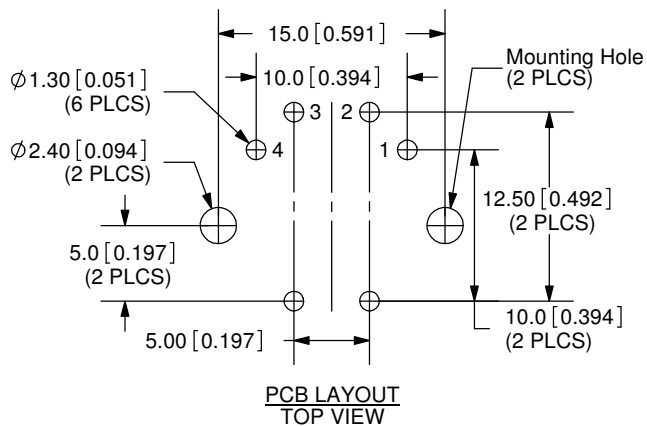
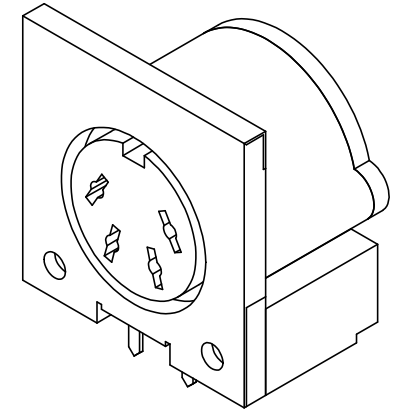
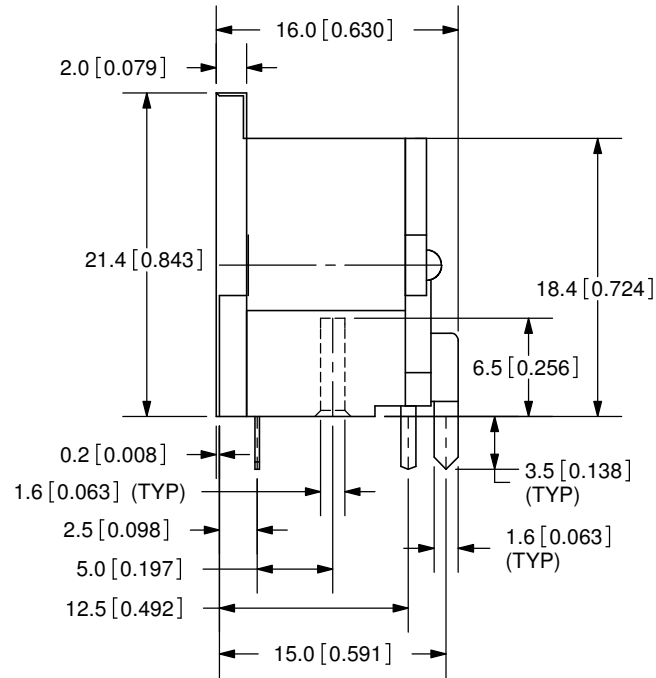
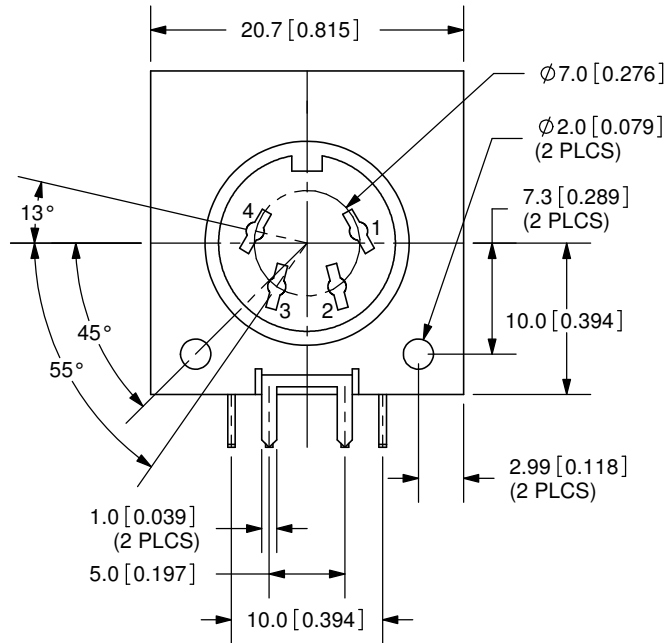


REV.	DESCRIPTION	DATE
A	NEW DRAWING	12/27/2005
B	Added dimensions	4/3/2006
C	Updated material list	5/15/2006



SPECIFICATIONS:
 RATING: 24V DC @ 1A; 100V AC @ 2A
 CONTACT RESISTANCE: 20m OHMS MAX
 INSULATION RESISTANCE: 100M OHMS MIN; 500V DC
 VOLTAGE WITHSTAND: 500V AC R.M.S. FOR 1 MINUTE
 INSERTION FORCE: 5.0KG MAX
 WITHDRAWAL FORCE: 0.6KG~3.0KG
 LIFE: 5,000 CYCLES

TOLERANCE:
 X.X ±0.2mm
 X.XX ±0.1mm
 X.XXX ±0.05mm



20050 SW 112th Ave.
 Tualatin, OR 97062
 Phone: 503-612-2300
 800-275-4899
 Fax: 503-612-2383
 Website: www.cui.com

TITLE: STANDARD CIRCULAR CONN. w/ SHIELD		REV: C
PART NO. SDF-40J		UNITS: MM [INCHES]
DRAWN BY: ZRJ	APPROVED BY:	SCALE: 2:1

	MATERIAL	PLATING
EARTH TERMINAL	Phosphor Bronze	Nickel
TERMINALS (1-4)	Brass	Tin
HOUSING	PBT	

PC FILE NAME:
SDF-40J

COPYRIGHT 2007 BY CUI INC.