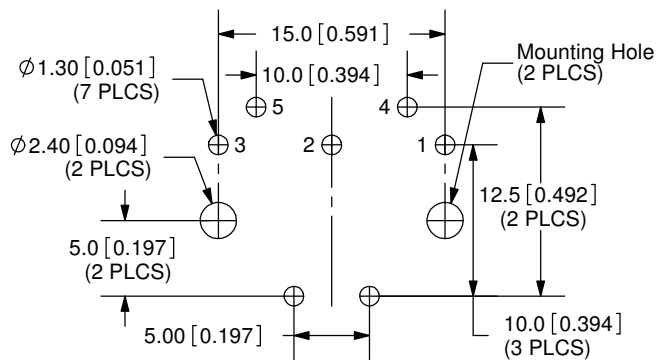
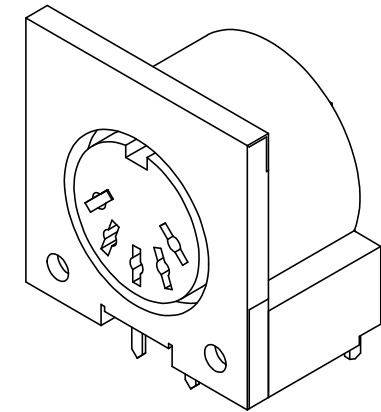
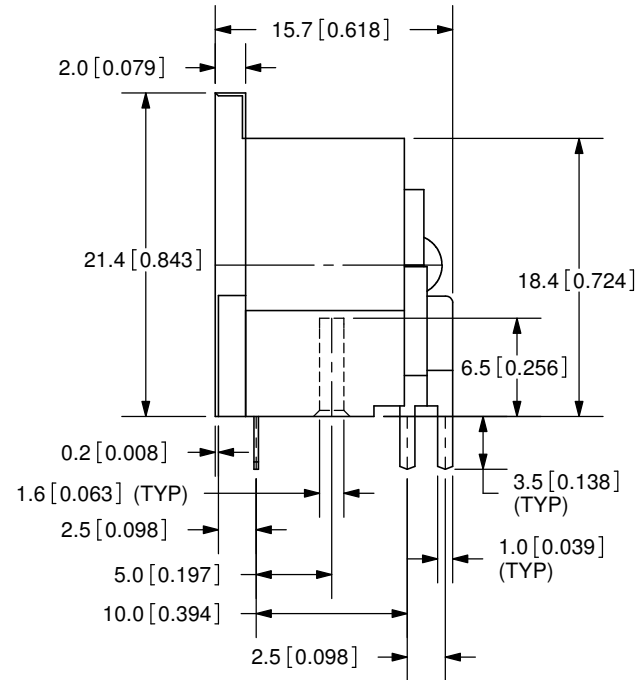
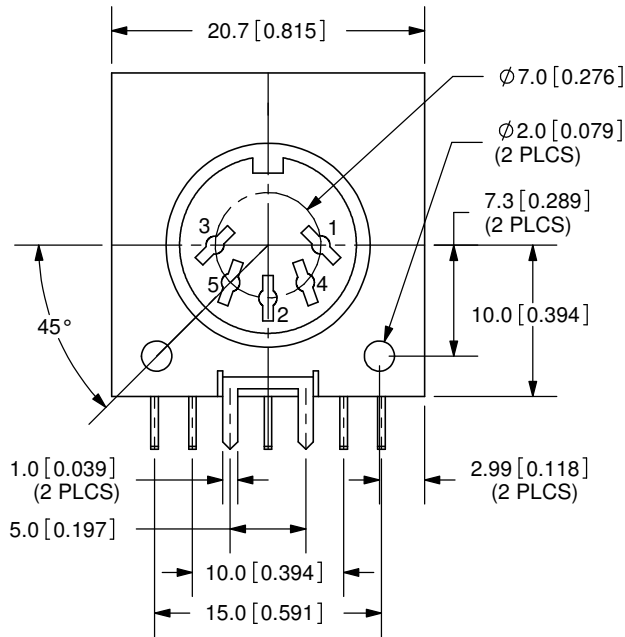


REV.	DESCRIPTION	DATE
B	Added dimensions	4/3/2006
C	Updated material list and PCB pin numbers	5/15/2006
D	Changed pin numbering	8/22/2006



PCB LAYOUT
TOP VIEW

SPECIFICATIONS:
 RATING: 24V DC @ 1A; 100V AC @ 2A
 CONTACT RESISTANCE: 20m OHMS MAX
 INSULATION RESISTANCE: 100M OHMS MIN; 500V DC
 VOLTAGE WITHSTAND: 500V AC R.M.S. FOR 1 MINUTE
 INSERTION FORCE: 5.0KG MAX
 WITHDRAWAL FORCE: 1.0KG~3.5KG
 LIFE: 5,000 CYCLES

TOLERANCE:
 X.X ± 0.2 mm
 X.XX ± 0.1 mm
 X.XXX ± 0.05 mm



20050 SW 112th Ave.
 Tualatin, OR 97062
 Phone: 503-612-2300
 800-275-4899
 Fax: 503-612-2383
 Website: www.cui.com

	MATERIAL	PLATING
EARTH TERMINAL	Phosphor Bronze	Nickel
TERMINALS (1-5)	Brass	Tin
HOUSING	PBT	

TITLE: STANDARD CIRCULAR CONN. w/ SHIELD	REV: D
PART NO. SDF-50J	UNITS: MM [INCHES]
DRAWN BY: ZRJ	APPROVED BY:
	SCALE: 2:1

PC FILE NAME:
SDF-50J

COPYRIGHT 2007 BY CUI INC.