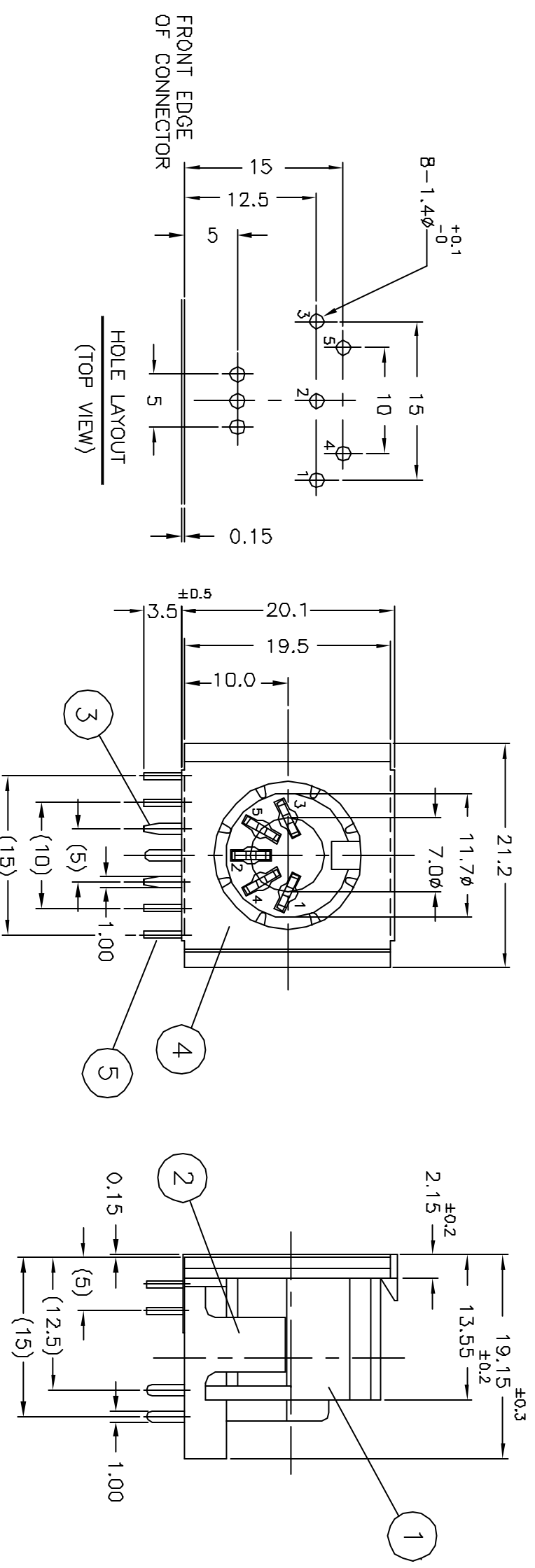
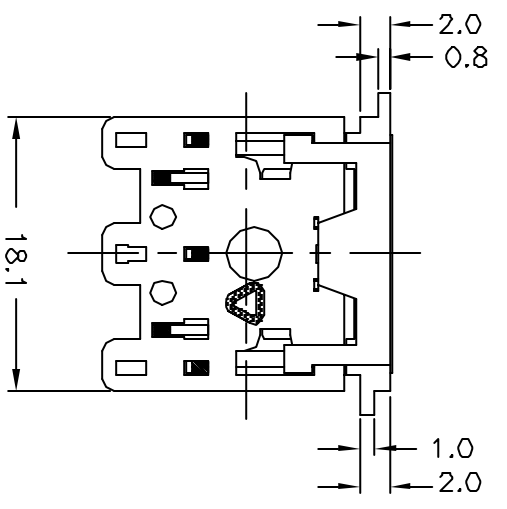


REV.	ECN NO OR DESCRIPTION	REVISED	DATE
C	修改與實物相符	EVEN	11/14-'03



**SPECIFICATIONS:**

1. CURRENT CARRYING CAPACITY:
  - 1) AC: 100V 1A MAX.
  - 2) DC: 24V 2A MAX.
2. CONTACT RESISTANCE:
  - 1) INITIAL, BEFORE LIFE CYCLE TEST. PIN TO CONTACTOR: 20mΩ MAX. PLUG SHIELD TO CONNECTOR: 100mΩ MAX.
  - 2) AFTER LIFE CYCLE TEST. PIN TO CONTACTOR: 100mΩ MAX. PLUG SHIELD TO CONNECTOR: 150mΩ MAX.
3. INSULATION RESISTANCE: BETWEEN ANY ADJACENT OPEN CONTACTS SHALL NOT BE LESS THAN 100MΩ AS SPECIFIED BELOW WITH AT 500V DC INSULATION RESISTANCE TEST.
4. DIELECTRIC STRENGTH: A POTENTIAL OF 500V AC RMS, 50/60HZ SHALL BE APPLIED BETWEEN ANY OPEN CONTACTS FOR ONE MINUTE WITHOUT BREAKDOWN.
5. INSERTION FORCE: 6.0Kg MAX.
6. WITHDRAWAL FORCE: 1.0Kg MIN.
7. LIFE CYCLE TEST: CONNECTOR SHALL BE SUBJECT TO 5,000 CYCLES AT 10 TO 20 CYCLES PER MINUTE WITH NO ELECTRICAL LOAD.



NO	DESCRIPTION	QTY	MATERIAL	PLATING & COLOR
1	BODY	1	PBT UL 94V-0	BLACK COLOR
2	COVER	1	PBT UL 94V-0	BLACK COLOR
3	EARTH TERMINAL	1	TI-CU COPPER ALLOY 0.2t	TIN ALLOY PLATING
4	SHIELDING PLATE	1	PHOSPHOR BRONZE 0.15t	TIN ALLOY PLATING
5	CONTACT TERMINAL	5	BRASS 0.7t	TIN ALLOY PLATING

UNLESS OTHERWISE SPECIFIED TOLERANCES

DECIMALS:	ANGLES:	TITLE
X.XX :±0.1	X.XX :±1°	5P 180° DIN CONNECTOR
X.XX :±0.2	X.XX :±1°	<b>PART NO. 2DJ-0065PSB2</b>
X.XX :±0.3	X.XX :±2°	SCALE: 2/1
		UNIT: MM
		SIZE: A3
		SHEET: 1 OF 1
		REV: C

Singatron Enterprise Co., Ltd.  
信音企業股份有限公司