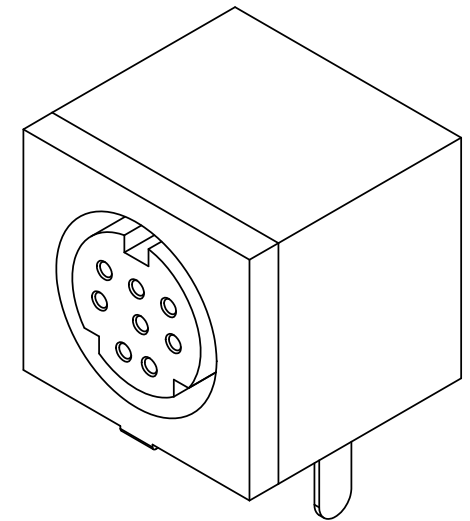
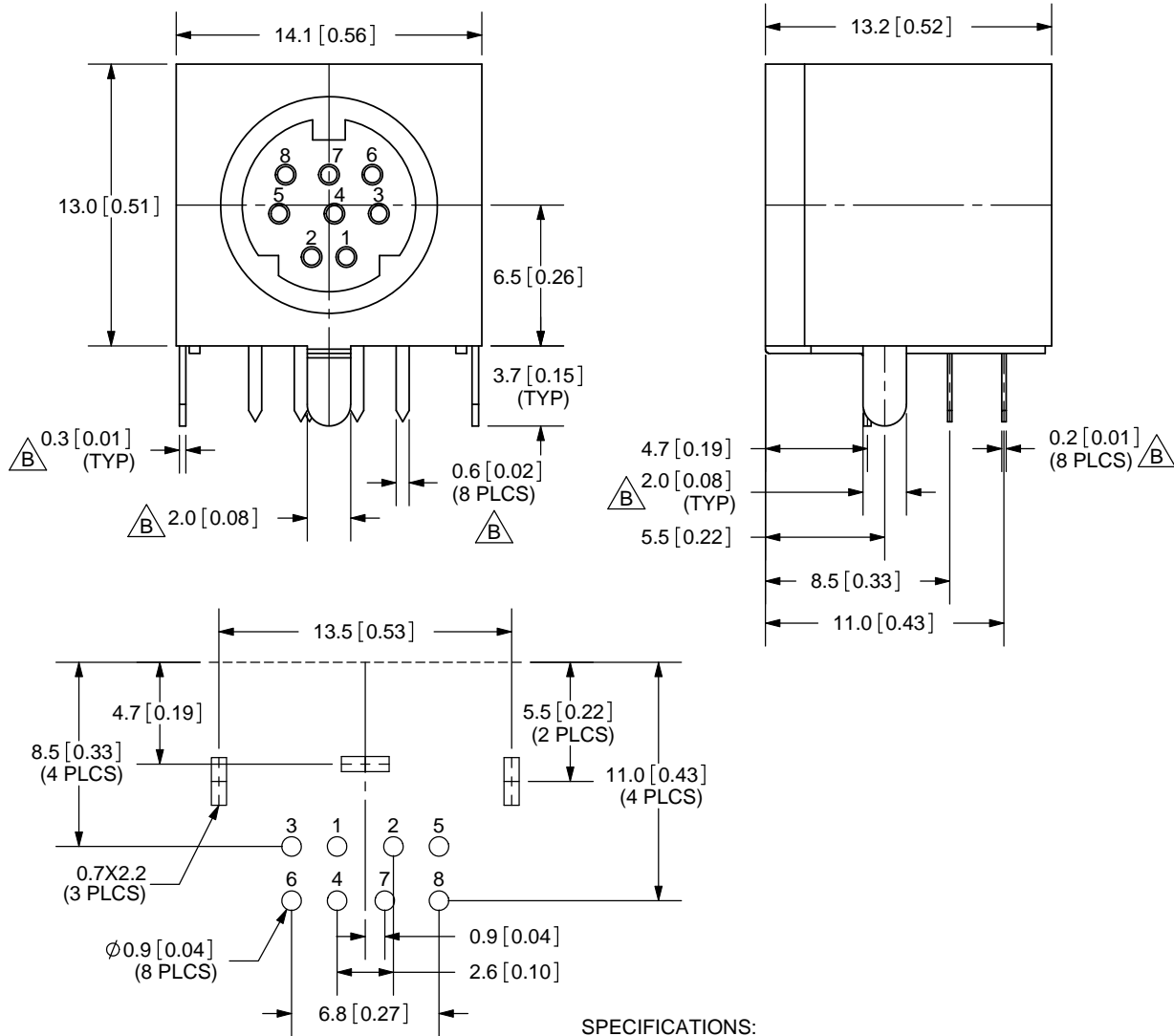


REV.	DESCRIPTION	DATE
A	NEW DRAWING	1/30/2006
B	Added missing dimensions	3/31/2008



TOLERANCE:
±0.2mm



20050 SW 112th Ave.
Tualatin, OR 97062
Phone: 503-612-2300
800-275-4899
Fax: 503-612-2383
Website: www.cui.com

SPECIFICATIONS:
 RATING: 12V DC @ 2A; 100V AC @ 1A
 INSULATION RESISTANCE: 50M OHMS MIN; 250V DC
 VOLTAGE WITHSTAND: 250V AC R.M.S. FOR 1 MINUTE
 CONTACT RESISTANCE: 30m OHMS MAX
 INSERTION FORCE: 1.0KG~4.5KG MAX
 WITHDRAWAL FORCE: 0.8KG~3.0KG
 LIFE: 5,000 CYCLES

PCB LAYOUT
TOP VIEW

	MATERIAL	PLATING
CONTACT TERMINALS (1-8)	Phosphor Bronze	Silver
EARTH TERMINALS	Brass	Tin
HOUSING	PBT	

TITLE: MINIATURE CIRCULAR DIN CONNECTOR		REV: B
PART NO. MD-80SF	UNITS: MM [INCHES]	
DRAWN BY: ZRJ	APPROVED BY:	SCALE: 3:1

PC FILE NAME:
MD-80SF

COPYRIGHT 2008 BY CUI INC.