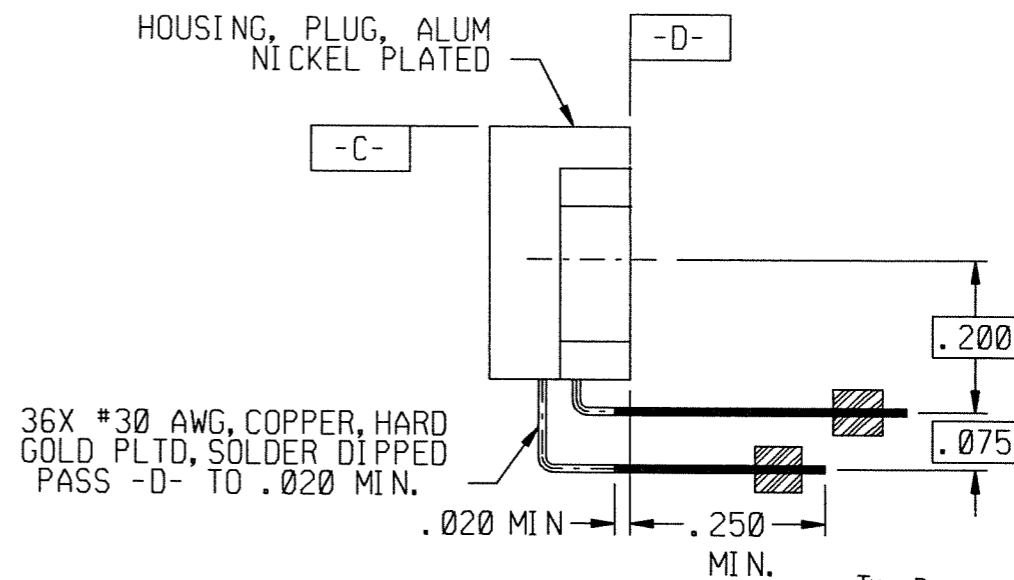
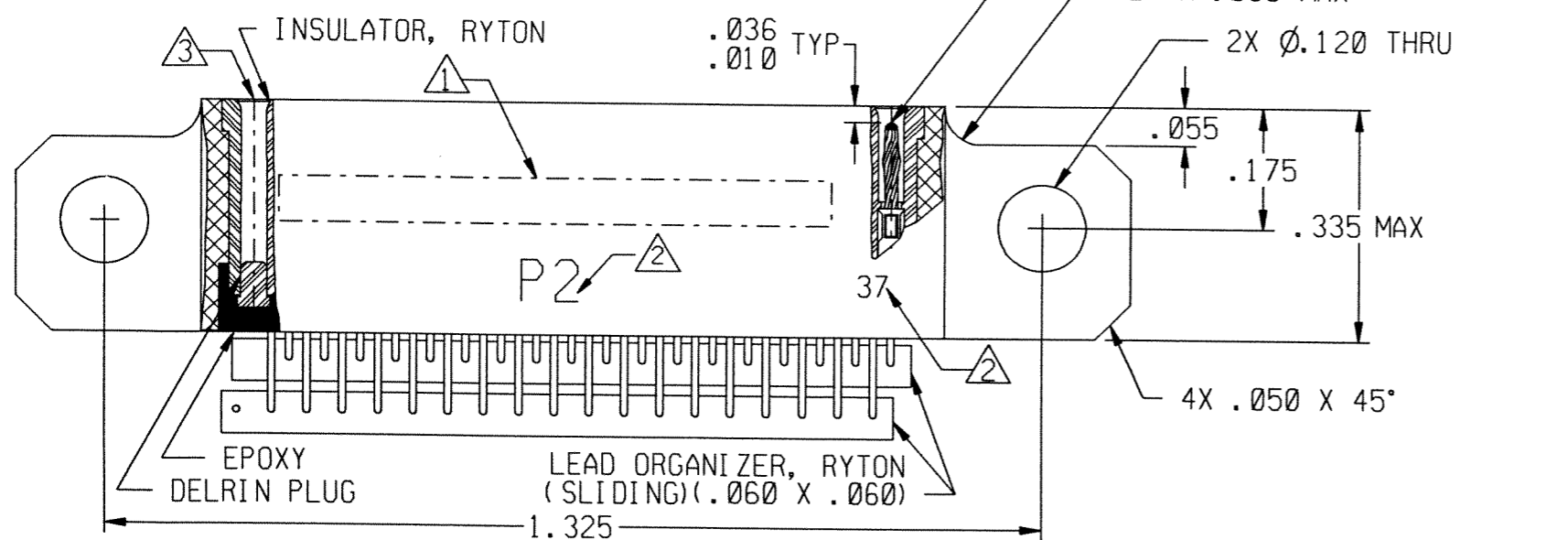
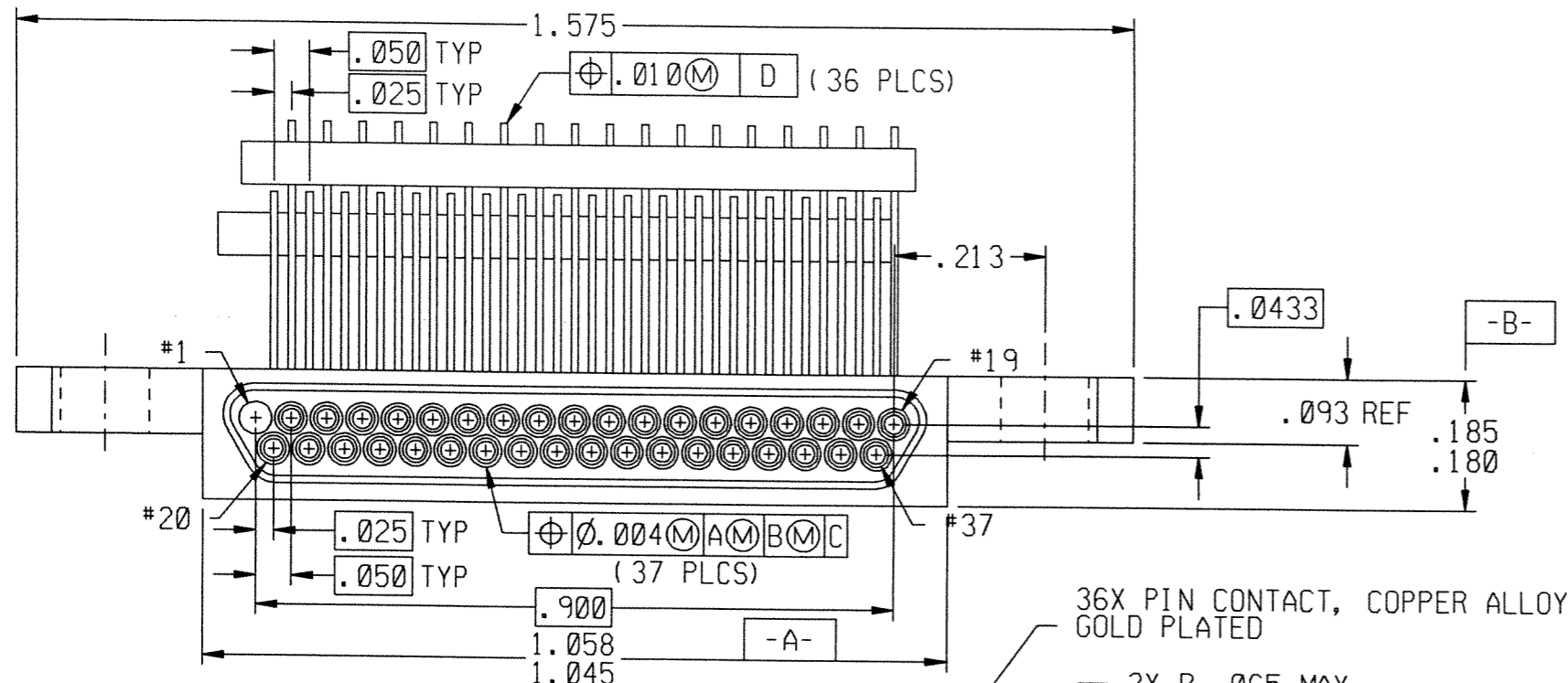


REVISION

ZONE	LTR	ECN	DESCRIPTION	DATE	APPROVED
	B	39294	UPDATE NOTES 1 AND 2.	8/20/99	TC



Tyco Dwg 1-1532024-3
Micro P/N 095-9065-0043

NOTES: UNLESS OTHERWISE SPECIFIED

1. MARK PER TIS.
2. MARK CAVITY NUMBERS (1, 19, 20, 37) AT THE EQUIVALENT CAVITY WITH .047 MIN HIGH CHARACTERS, AND "P2" WITH .094 MIN HIGH CHARACTERS AS SHOWN.
3. EPOXY AS SHOWN IS USING POTTING COMPOUND 194-8102-6225.
4. REMOVE SHOULDER IN CAV. 1 FOR GUIDE PIN ACCOMMODATION, AND PLUG WITH DELRIN PLUG AT THE REAR OF INSULATOR.
5. CRIMP LEADS & CRIMP SLEEVES INTO CONTACTS PER MEP 302-05.

UNLESS OTHERWISE SPECIFIED DIMENSIONS ARE IN INCHES. TOLERANCE ARE:			APPROVALS		MICRODOT CONNECTORS A DIVISION OF UNI-STAR INDUSTRIES INC. 306 PASADENA AVE., SO. PASADENA, CA 91030
FRACTIONS	DECIMALS	ANGLES	SIGNATURE	DATE	
± 1/8	.XX ±.01 .XXX ±.007	± 2°	DRAWN: <i>TODAY LEE</i> CHECKED: <i>TC</i> PRD. ENG.: <i>TC</i> APPROVED:	8/20/99 8/20/99	SINGLE BAY 2 ROW STRIP CONN. PLUG METAL SHELL, RIGHT ANGLE TERM MCSMX-37LX (GUIDE PIN CAV.) (P2)
THIS DOCUMENT IS THE PROPERTY OF MICRODOT CONNECTORS, A DIVISION OF UNI-STAR INDUSTRIES INC. USE OF THIS DOCUMENT OR ANY PART THEREOF IS STRICTLY FORBIDDEN WITHOUT THE EXPRESS WRITTEN PERMISSION OF MICRODOT CONNECTORS, A DIVISION OF UNI-STAR INDUSTRIES INC.					PROD CODE 831 CODE CDM
			BOEING, NORTH AMERICA		
SIZE B		CODE IDENT NO. 98278		DRAWING NO. 095-9065-0043	
SCALE: NONE			SHEET 1 OF 1		