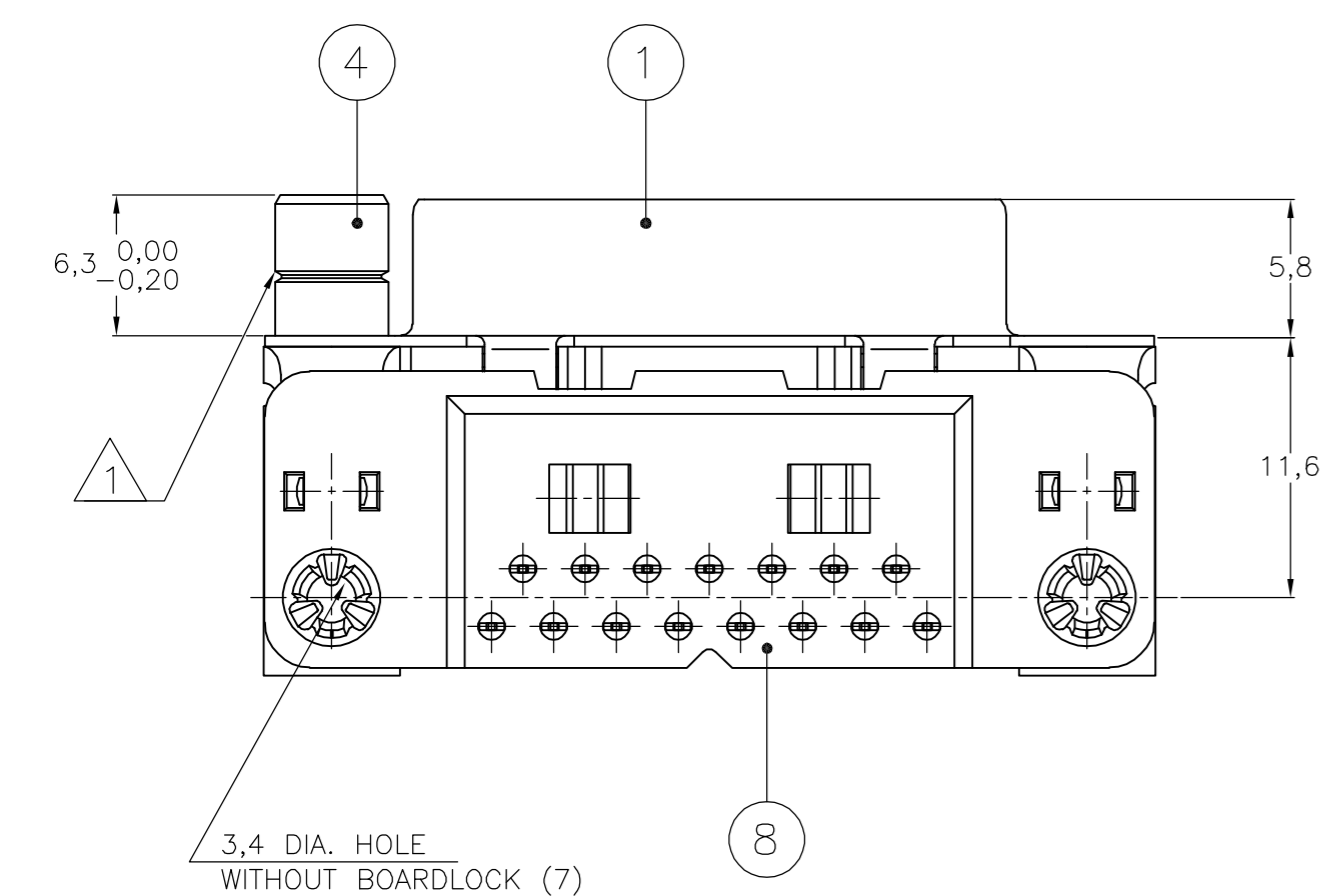
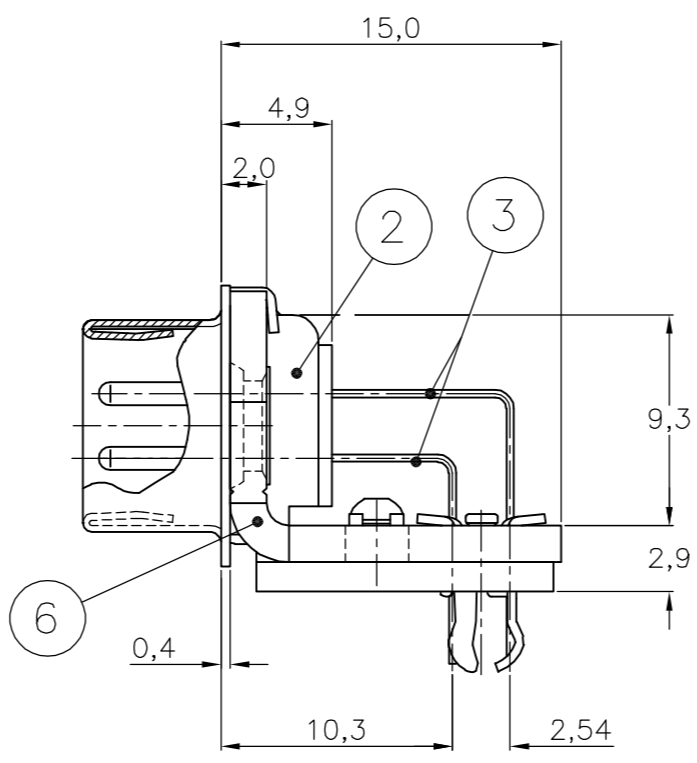
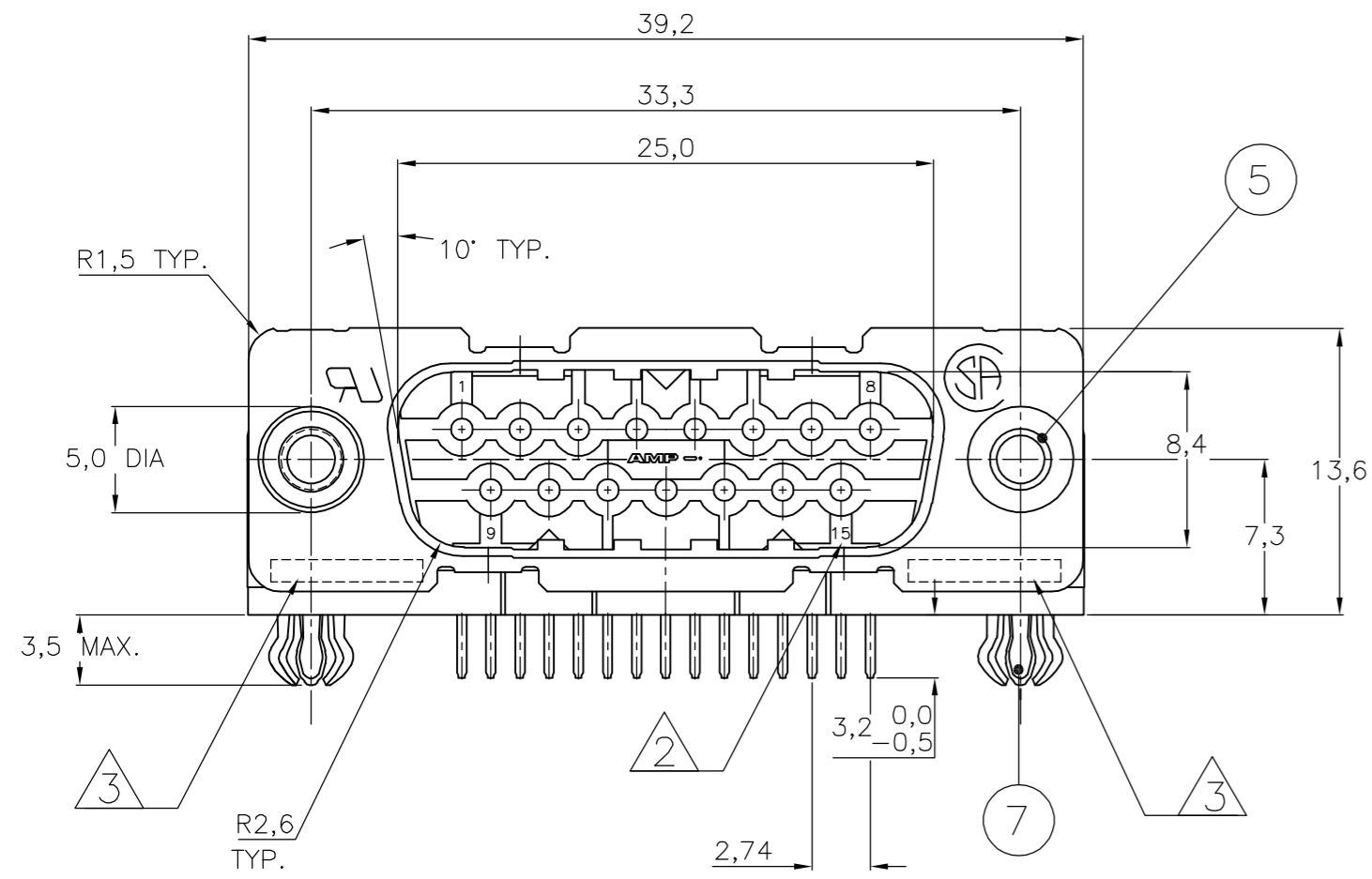


THIS DRAWING IS UNPUBLISHED. RELEASED FOR PUBLICATION
 © COPYRIGHT BY TYCO ELECTRONICS CORPORATION. ALL RIGHTS RESERVED.

Loc	DIST	REVISIONS			
P	LTR	DESCRIPTION	DATE	DWN	APVD
F		EH-1417-99	19-02-00	T.K.	-
G		EHC0-0013-04	24-03-04	JvdH	-
H		ECR-06-016741	04-11-06	BSV	MK



ACCESSORIES PREFIX "Z"	ITEM NR.	DESCRIPTION OF ACCESSORY	2	2	2	2	2	2	2	2	2	2	2	2	2
5		3,1 DIA. INSERT													
5		INSERT WITH INNER THREAD 4-40 UNC													
5		INSERT WITH INNER THREAD M3													
4		FEMALE SCREWLOCK WITH 4-40 UNC													
4		FEMALE SCREWLOCK WITH M3													
7		BOARDLOCK													

HOW TO ORDER

15 POS.-----> Z-338169-Y

PREFIX FOR ACCESSORIES

BASIC PARTNR.

SUFFIX FOR PLATING

0	XXXXXX-Y
1	XXXXXX-Y
2	XXXXXX-Y
3	XXXXXX-Y
4	XXXXXX-Y
5	XXXXXX-Y
6	XXXXXX-Y
7	XXXXXX-Y
8	XXXXXX-Y
9	XXXXXX-Y

PLATING SUFFIX "Y"

GOLD OVER NICKEL AS PER PERFORMANCE LEVEL 2 (DIN 41652)

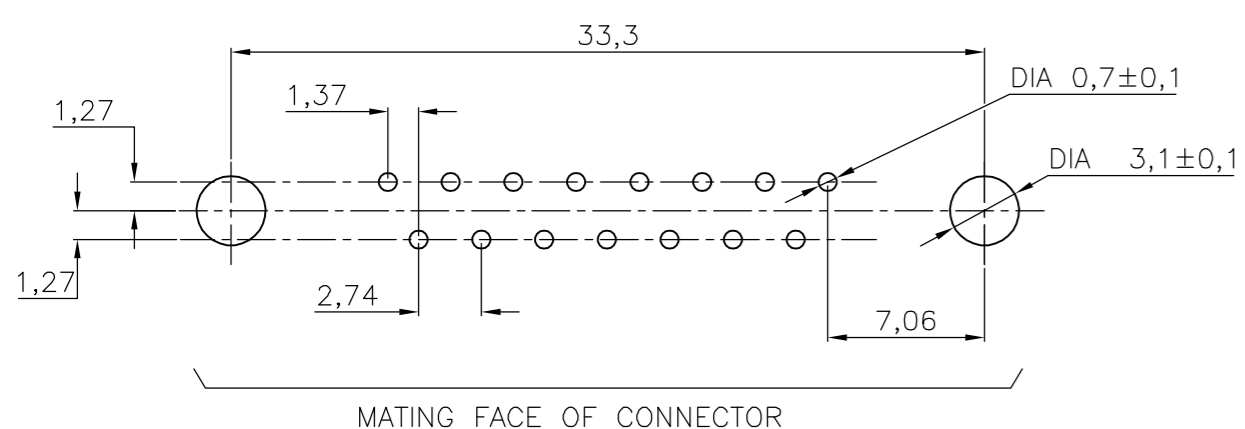
SOLDERPART :2,5µm TIN OVER NICKEL

-Y = -2

- 1 GROOVE INDICATES VERSION WITH 4-40 UNC INNER THREAD; WITHOUT GROOVE INDICATES VERSION WITH M3 INNER THREAD.
- 2 CAVITY IDENTIFICATION AT FRONT SIDE ONLY.
- 3 PARTNUMBER AND DATE CODE.
- 4 SHELL HAS 2x4 GROUNDING SPRINGS; PITCH IS 3,6 mm
- 5 AIR AND CREEPAGE DISTANCES ACCORDING TO DIN 41652

- ITEM NRS./MATERIAL :
- 1 SHELL : BRIGHT TINPLATED STEEL
 - 2 HOUSING : GLASSFILLED POLYESTER, COLOR : BLACK
 - 3 CONTACTS : PH.BRONZE (PLATING : SEE TABLE ABOVE)
 - 4 FEMALE SCREWLOCK : TINPLATED STEEL (INNER THREAD 4-40 UNC OR M3)
 - 5 INSERT : TINPLATED STEEL (INNER THREAD 4-40 UNC OR M3 OR 3,1 DIA THRU-HOLE)
 - 6 BRACKET : TINPLATED STEEL
 - 7 BOARDLOCK : TINPLATED PHOSPHORBRONZE
 - 8 POSTALIGNMENT PLATE : GLASSFILLED NYLON, COLOR : BLACK

RECOMMENDED P.C. BOARD HOLE-LAYOUT



THIS DRAWING IS A CONTROLLED DOCUMENT.		DWN D. KESSLER 18JAN99	tyco Tyco Electronics Corporation	
DIMENSIONS: MM		CHK W. SOOMERS	s-HertogenBosch, Netherlands,	
TOLERANCES UNLESS OTHERWISE SPECIFIED:		APVD -	NAME	
0 PLC ± -	1 PLC ± -	PRODUCT SPEC -	HD-20 SIZE 2	
2 PLC ± -	3 PLC ± -	APPLICATION SPEC -	RIGHT ANGLE PLUG HEADER; MARK II+	
4 PLC ± -	ANGLES ± -	WEIGHT -	SIZE A2	CAGE CODE 00779
MATERIAL -	FINISH -	CUSTOMER DRAWING	DRAWING NO C=338169	RESTRICTED TO -
			SCALE NTS	SHEET 1 OF 1
			REV H	

338169

A