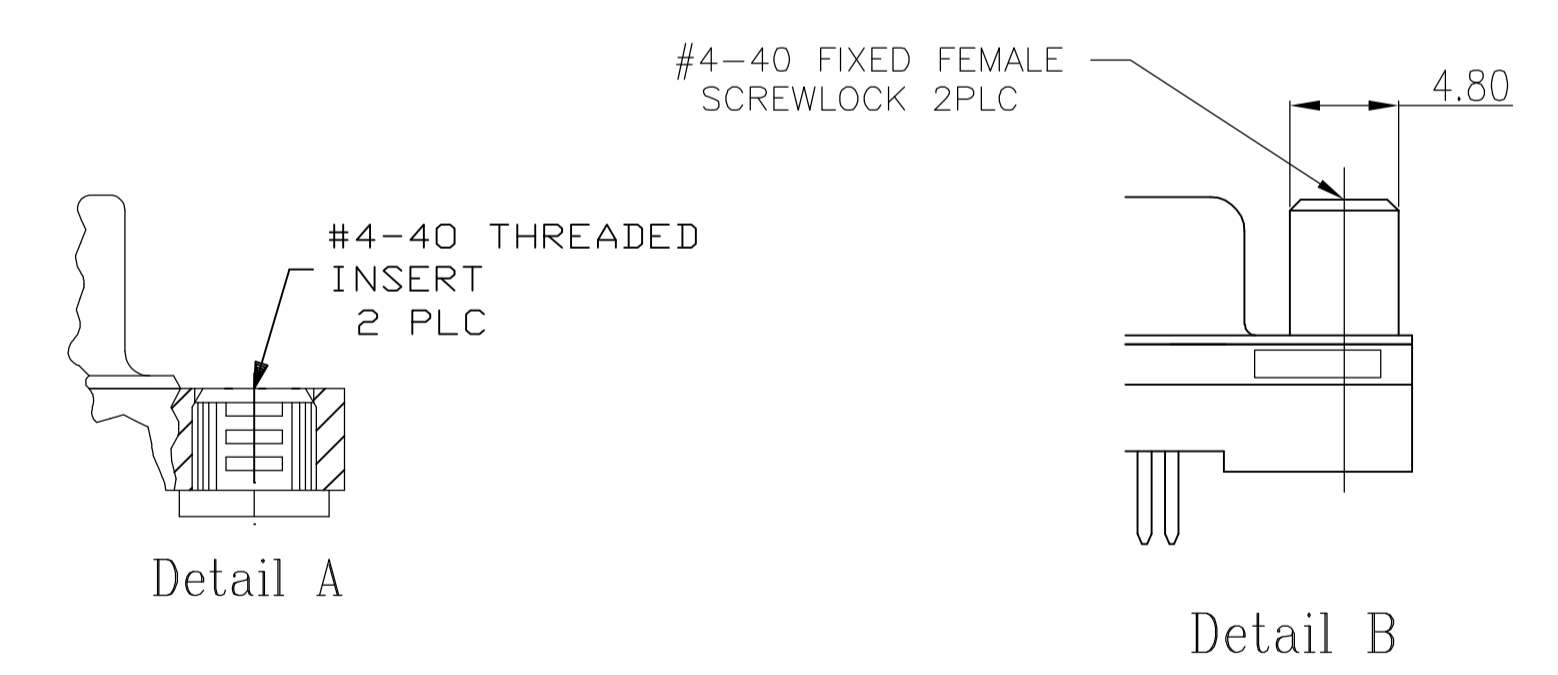
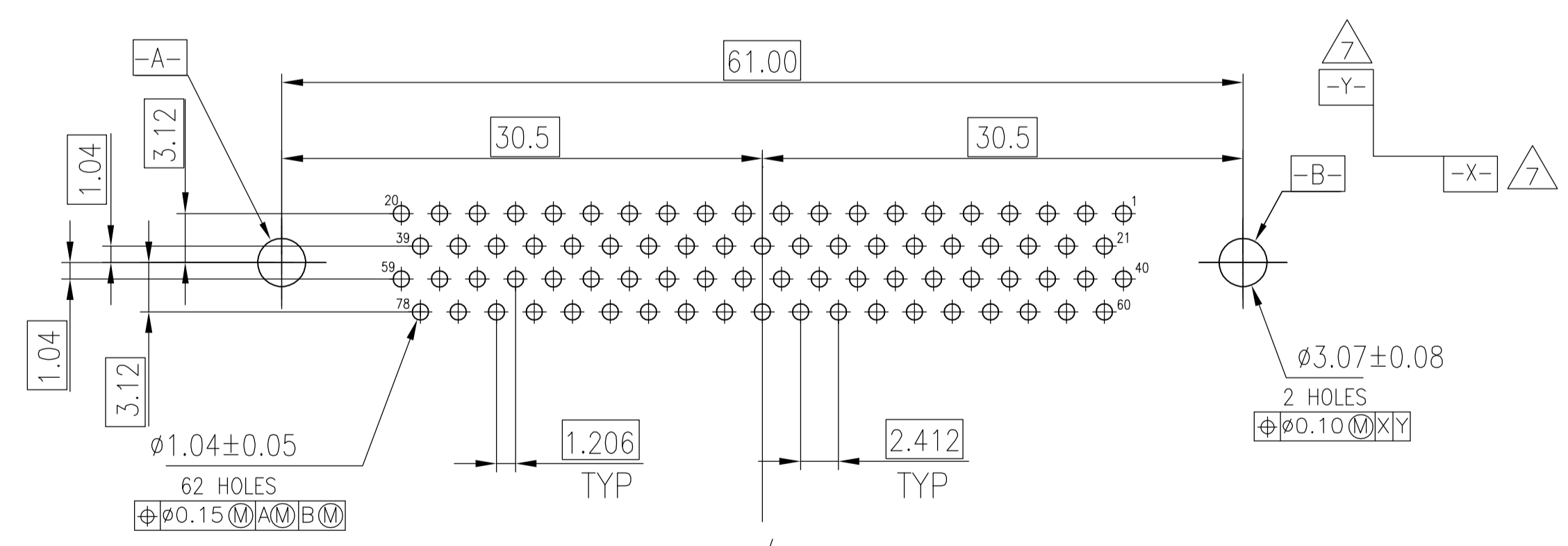
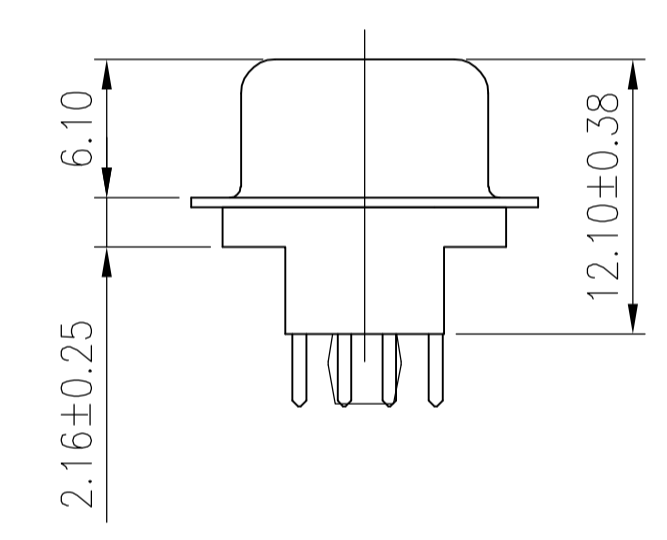
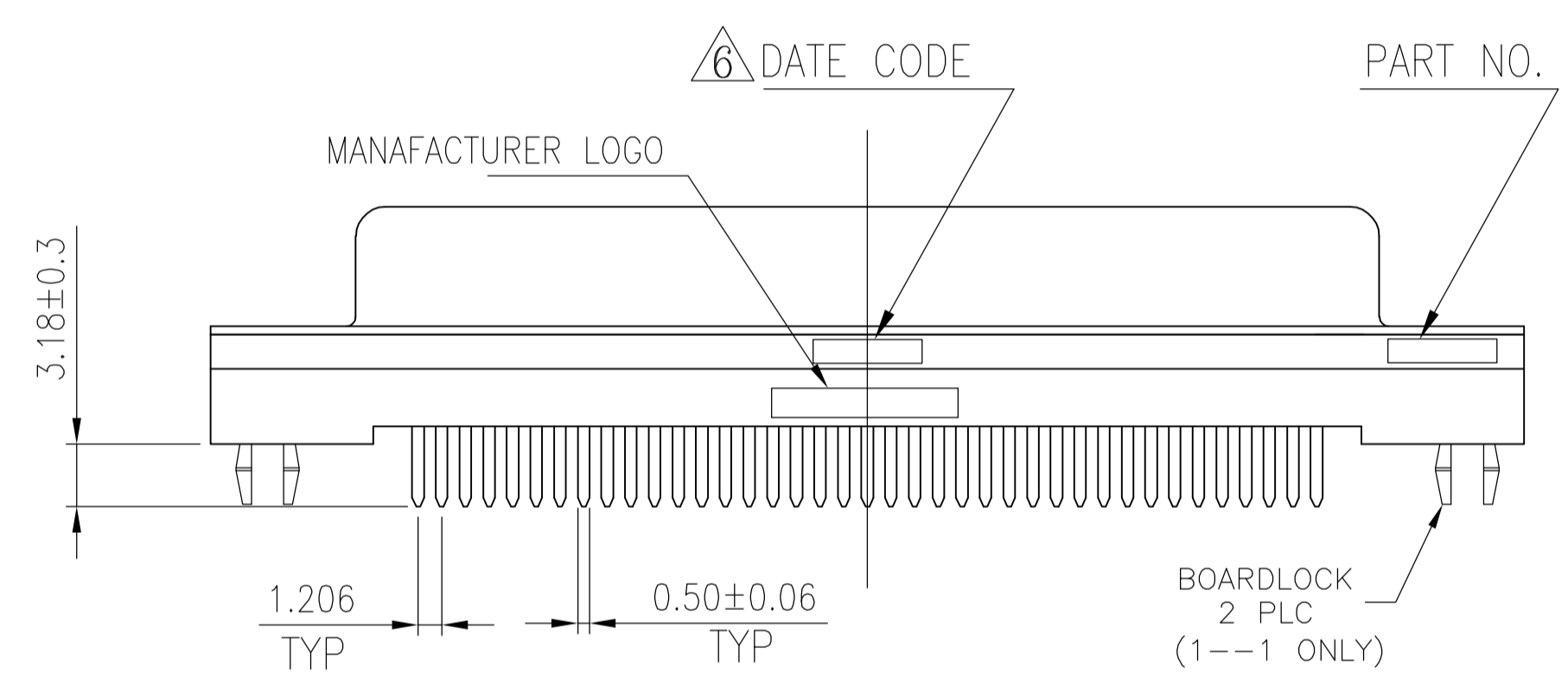


- HOUSING MATERIAL: PBT, GLASS FILLED, BLACK, UL 94V-0 RATED.
- CONTACT MATERIAL: PHOSPHOR BRONZE.
- CONTACT FINISH: GOLD PLATE IN MATING AREA (SEE TABLE), 120μ" MIN TIN PLATE ON SOLDER TAIL, BOTH OVER 50μ" MIN NICKEL UNDERPLATE.
- THREADED INSERTS AND BOARDLOCKS: BRASS, 100u" MIN TIN PLATE OVER 50u" MIN NICKEL UNDERPLATE.
- FEMALE SCREWLOCKS: BRASS, 50u" MIN NICKEL PLATE OVER 50u" MIN COPPER UNDERPLATE.

△6 Four digit date code in this format.

01
45
 Year Manufacturing Week

△7 DATUMS [-X-] & [-Y-] TO BE ESTABLISHED BY CUSTOMER.



YES	Tray	Detail B	30μ" MIN	1-5748831-1
NO	Tray	Detail A	Gold flash	1-5748831-0
NO	Tray	Detail A	15μ" MIN	5748831-9
NO	Tray	Detail A	30μ" MIN	5748831-1
BOARDLOCKS	Packaging	Mounting Flange Configuration	Contact Mating Area Finish	AMP Part NO.

THIS DRAWING IS A CONTROLLED DOCUMENT.		DWG BY: MCMMASTER 21SEP05	Tyco Electronics Corporation Harrisburg, PA 17105-3608
DIMENSIONS: mm		CHK BY: S. BOLASH 21SEP05	
TOLERANCES UNLESS OTHERWISE SPECIFIED:		APPROV BY: M. WALMSLEY 21SEP05	NAME: AMPLIMITE HD-22 78 POS RECEPTACLE, VERTICAL
0 PLC ± - 1 PLC ± 0.30 2 PLC ± 0.20 3 PLC ± 0.10 4 PLC ± - ± Z ANGLES ± - ± Z		APPLICATION SPEC: -	SIZE: A1
MATERIAL: -		WEIGHT: -	CAGE CODE: 00779
FINISH: -		CUSTOMER DRAWING	DRAWING NO: 5748831
		SCALE: 3:1	SHEET 1 OF 1