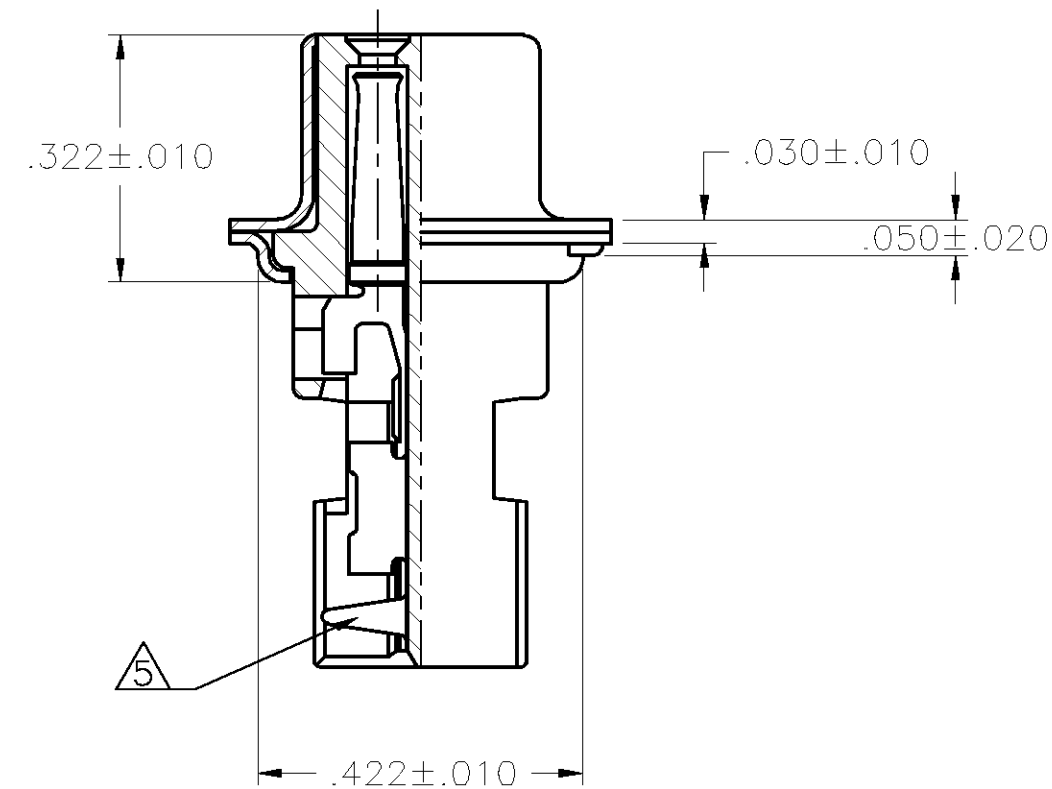
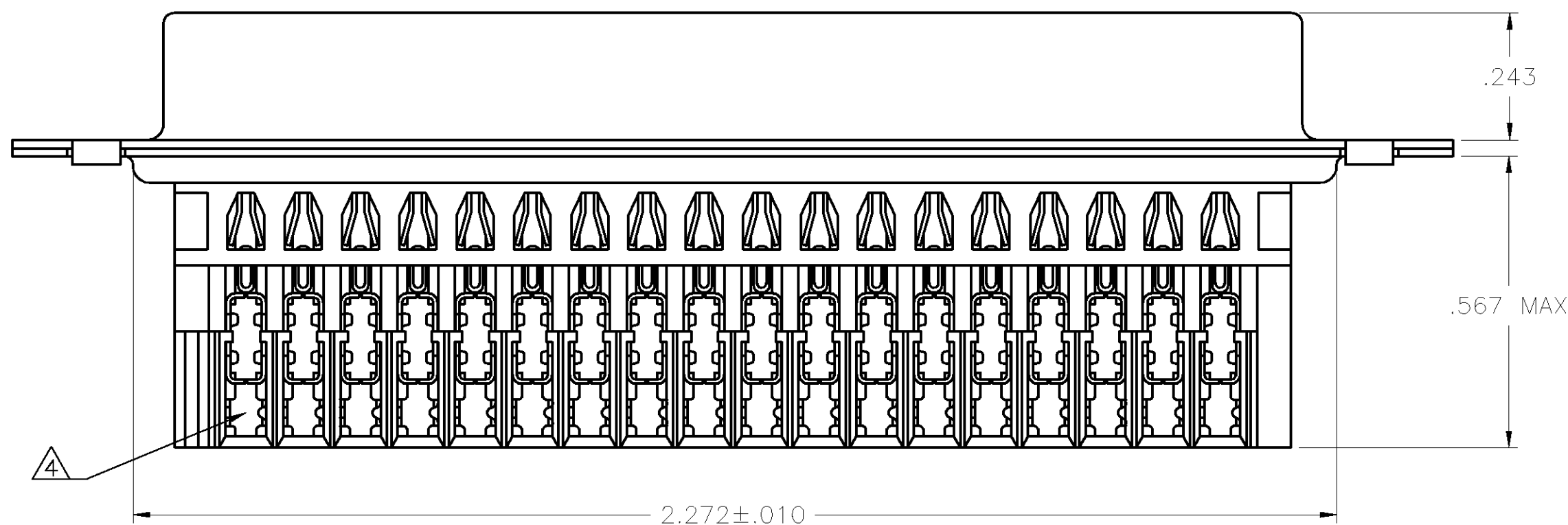
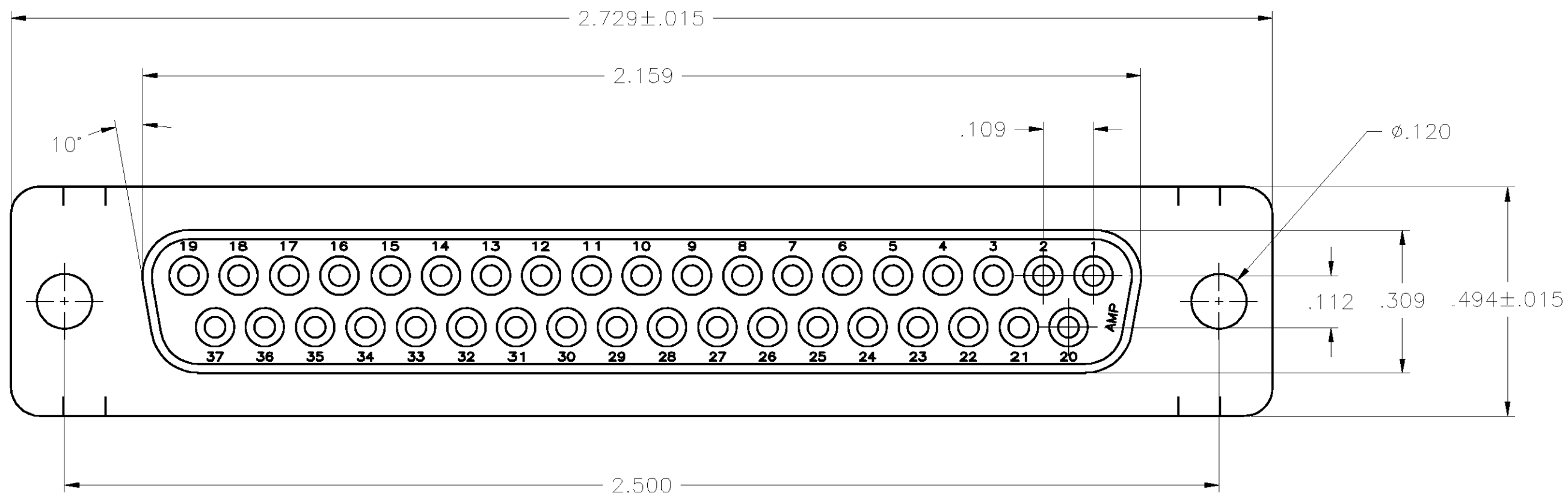


THIS DRAWING IS UNPUBLISHED. RELEASED FOR PUBLICATION
 © COPYRIGHT BY TYCO ELECTRONICS CORPORATION. ALL RIGHTS RESERVED.

LOC		DIST		REVISIONS			
P	LTR	DESCRIPTION	DATE	DWN	APVD		
GP	00	C	REVISED PER EC 0S13-0257-04	11-16-04	LV	JG	



- ① INSERT: THERMOPLASTIC, 94V-0 RATED, COLOR BLACK.
SHELLS: STEEL PER ASTM A109.
CONTACTS: PHOS BRONZE PER QQ-B-750.
- ② SHELLS: .000200 MIN BRIGHT TIN OR BRIGHT TIN-LEAD OVER .000100 MIN COPPER.
CONTACTS: .000030 MIN GOLD FOR LENGTH OF .100 MIN ON MATING END, .000100 MIN BRIGHT TIN OR BRIGHT TIN-LEAD ON TERMINATION END, ALL OVER .000030 MIN NICKEL.
- ③ SHELLS: .000200 MIN TIN OVER .000100 MIN COPPER.
CONTACTS: .000030 MIN GOLD FOR LENGTH OF .100 MIN ON MATING END, .000100 MIN TIN ON TERMINATION END, .000050 MIN NICKEL UNDERPLATE ON ENTIRE CONTACT.
- ④ NUMBER ON CONTACT INDICATES WIRE RANGE.
- ⑤ CONTACT INSULATION RANGE IS .060 MAX OD, WIRE RANGE IS #22-26.

**COPYRIGHT 2002
 TYCO ELECTRONICS CORP
 ALL RIGHTS RESERVED**

③	1-747562-0
②	747562-2
FINISH	PART NUMBER

THIS DRAWING IS A CONTROLLED DOCUMENT.		DWN	J.GERACE	30OCT02	 Tyco Electronics Corporation Harrisburg, PA 17105-3608					
DIMENSIONS: INCHES		CHK	S.BOLASH	30OCT02						
TOLERANCES UNLESS OTHERWISE SPECIFIED:		APVD	M.WALMSLEY	30OCT02						
0 PLC ± - 1 PLC ± - 2 PLC ± - 3 PLC ± .005 4 PLC ± - ± 2° ANGLES ± 2° FINISH SEE TABLE		PRODUCT SPEC	108-40011	APPLICATION SPEC		114-40002				
MATERIAL	①	WEIGHT	-	CUSTOMER DRAWING	SCALE	4:1	SHEET	1 OF 1	REV	C