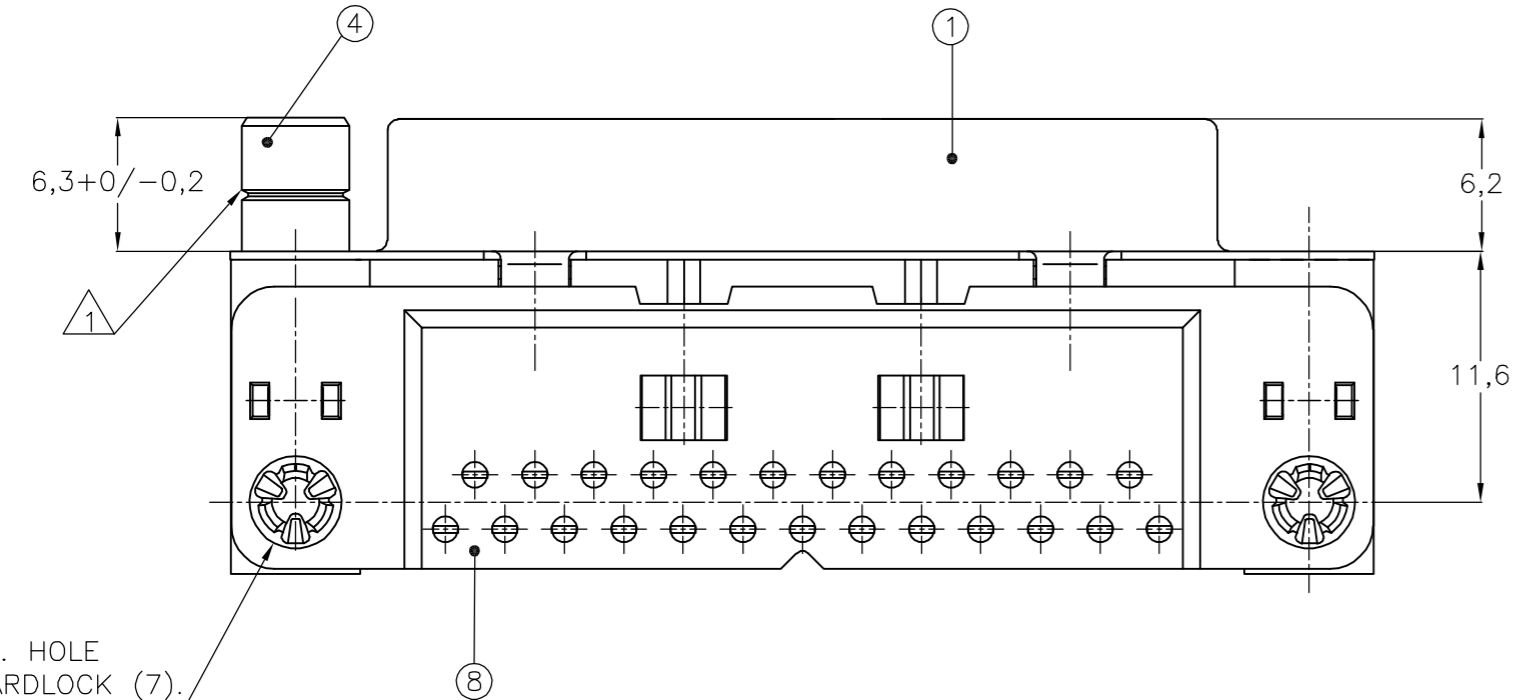
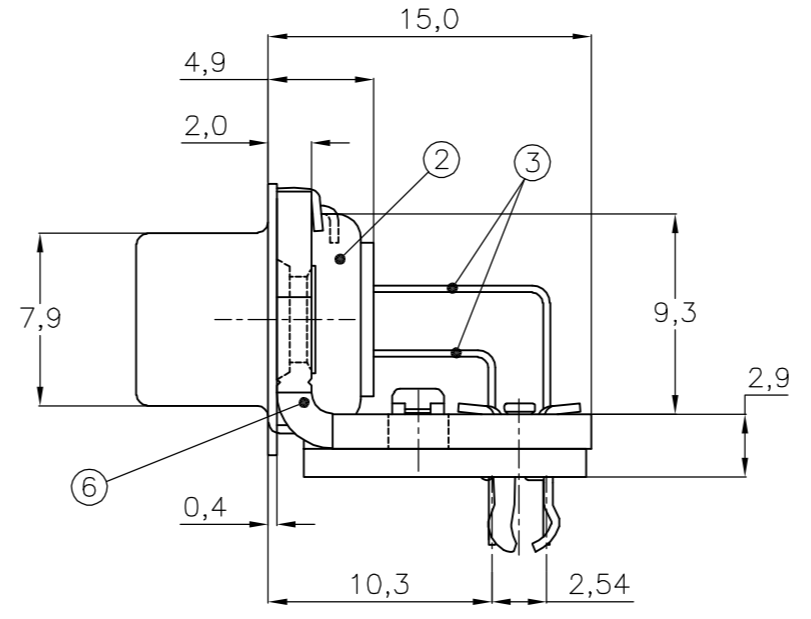
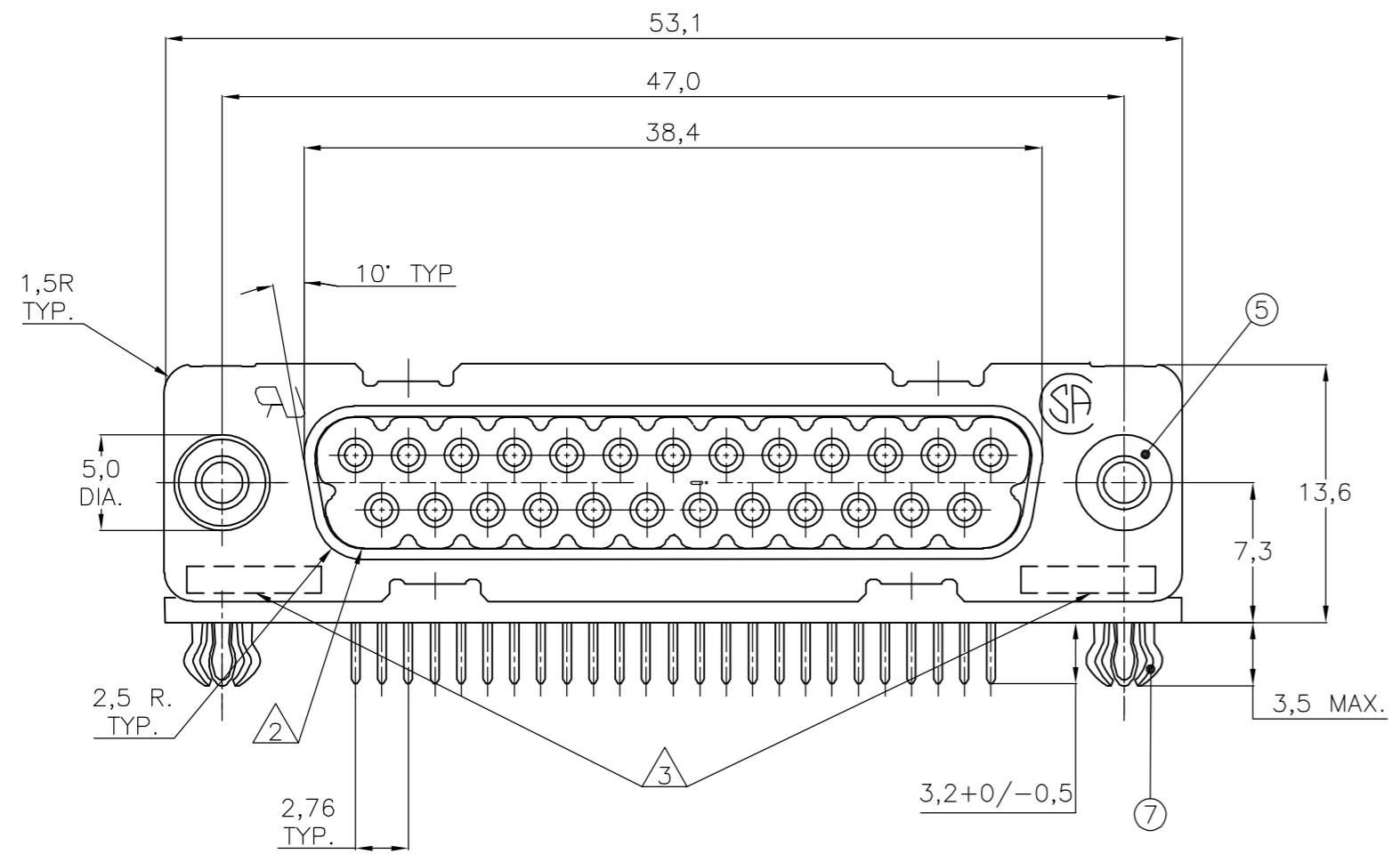
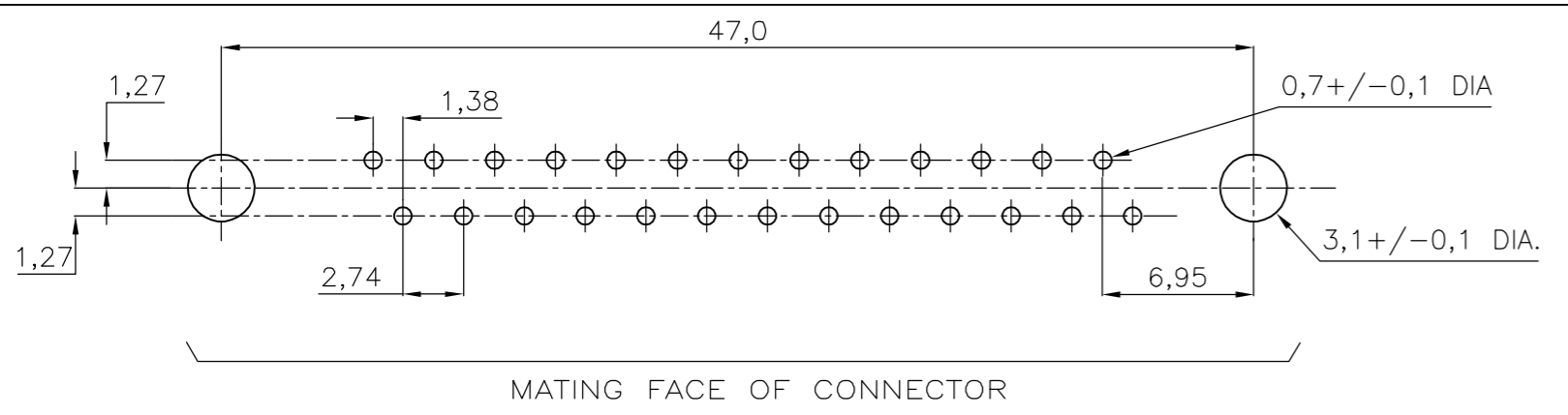


THIS DRAWING IS UNPUBLISHED. RELEASED FOR PUBLICATION  
 © COPYRIGHT BY TYCO ELECTRONICS CORPORATION. ALL RIGHTS RESERVED.

Loc	DIST	REVISIONS			
P	LTR	DESCRIPTION	DATE	DWN	APVD
	G	EH-0033-99	14-01-99	D.K.	-
	H	EHC0-0061-04	07-04-04	JvdH	-
	J	ECR-06-028929.	19-03-07	BSV	MK



RECOMMENDED P.C. BOARD HOLE-LAYOUT



ACCESSORIES PREFIX "Z"	ITEM NO.	DESCRIPTION OF ACCESSORY	2	2	2	2	2	2	2	2	2	2	2	2	2	2	2	2
5		BUSHING WITH THROUGH HOLE 3,1 DIA.																
5		BUSHING WITH INNER THREAD 4-40 UNC																
5		BUSHING WITH INNER THREAD M3																
4		FEMALE SCREWLOCK WITH 4-40 UNC																
4		FEMALE SCREWLOCK WITH M3																
7		BOARDLOCK																

HOW TO ORDER:

25 POS.-----> Z-106507-Y

PREFIX FOR ACCESSORIES }  
 BASIC PARTNR. }  
 SUFFIX FOR PLATING }

0-XXXXXX-Y  
 1-XXXXXX-Y  
 2-XXXXXX-Y  
 3-XXXXXX-Y  
 4-XXXXXX-Y  
 5-XXXXXX-Y  
 6-XXXXXX-Y  
 7-XXXXXX-Y  
 8-XXXXXX-Y  
 9-XXXXXX-Y

PLATING SUFFIX "Y"

GOLD OVER NICKEL AS PER PERFORMANCE LEVEL 2 (DIN 41652)  
 SOLDERPART :2,5 μm TIN OVER NICKEL } -Y = -2

NOTES :

1 GROOVE INDICATES VERSION WITH 4-40 UNC INNER THREAD; WITHOUT GROOVE INDICATES VERSION WITH M3 INNER THREAD.  
 2 CAVITY IDENTIFICATION AT FRONT SIDE ONLY.  
 3 PARTNUMBER AND DATE CODE.  
 4. AIR AND CREEPAGE DISTANCES ACCORDING TO DIN 41652.

- ITEM NRS./MATERIAL :
- 1 SHELL : BRIGHT TINPLATED STEEL
  - 2 HOUSING : GLASSFILLED POLYESTER, COLOR : BLACK
  - 3 CONTACTS : PHOSPHORBRONZE (PLATING : SEE TABLE ABOVE)
  - 4 FEMALE SCREWLOCK : TINPLATED STEEL (INNER THREAD 4-40 UNC OR M3)
  - 5 BUSHING : TINPLATED STEEL (INNER THREAD 4-40 UNC OR M3 OR 3,1 DIA THRU-HOLE)
  - 6 BRACKET : TINPLATED STEEL
  - 7 BOARDLOCK : TINPLATED PHOSPHORBRONZE
  - 8 POST ALIGNMENTPLATE : GLASSFILLED NYLON. COLOR : BLACK

THIS DRAWING IS A CONTROLLED DOCUMENT.		DWN D. KESSLER 14JAN99	<b>tyco</b> Tyco Electronics Corporation	
DIMENSIONS: MM		CHK W. SOOMERS	s-HertogenBosch, Nederland,	
TOLERANCES UNLESS OTHERWISE SPECIFIED:		APVD	NAME	
0 PLC ± -	1 PLC ± -	PRODUCT SPEC	HD-20 SIZE 3	
2 PLC ± -	3 PLC ± -	APPLICATION SPEC	RIGHT ANGLE RECEPTACLE HEADER;	
4 PLC ± -	ANGLES ± -	WEIGHT	SIZE A2	RESTRICTED TO
MATERIAL	FINISH	CUSTOMER DRAWING	CAGE CODE 00779	DRAWING NO C=106507
		SCALE NTS	SHEET 1 OF 1	REV J