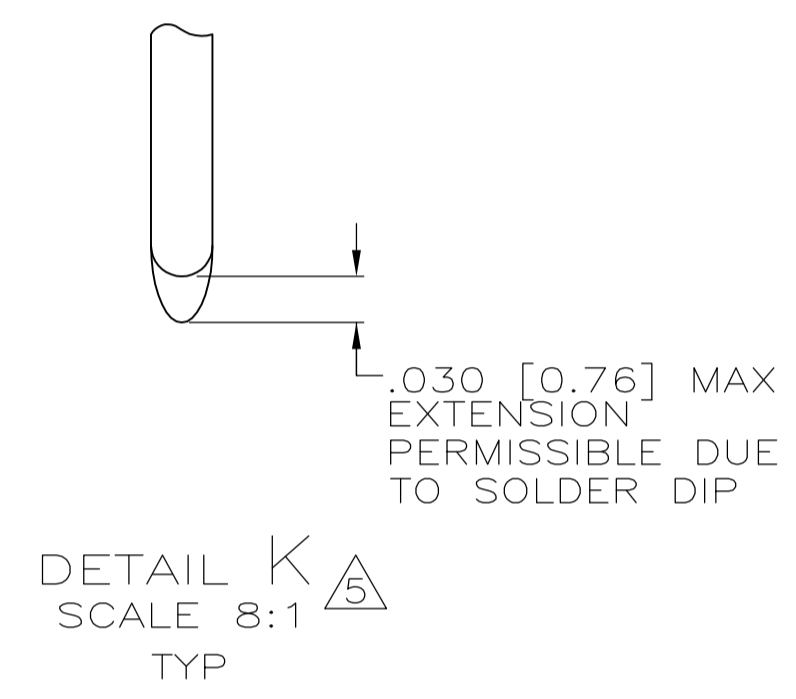
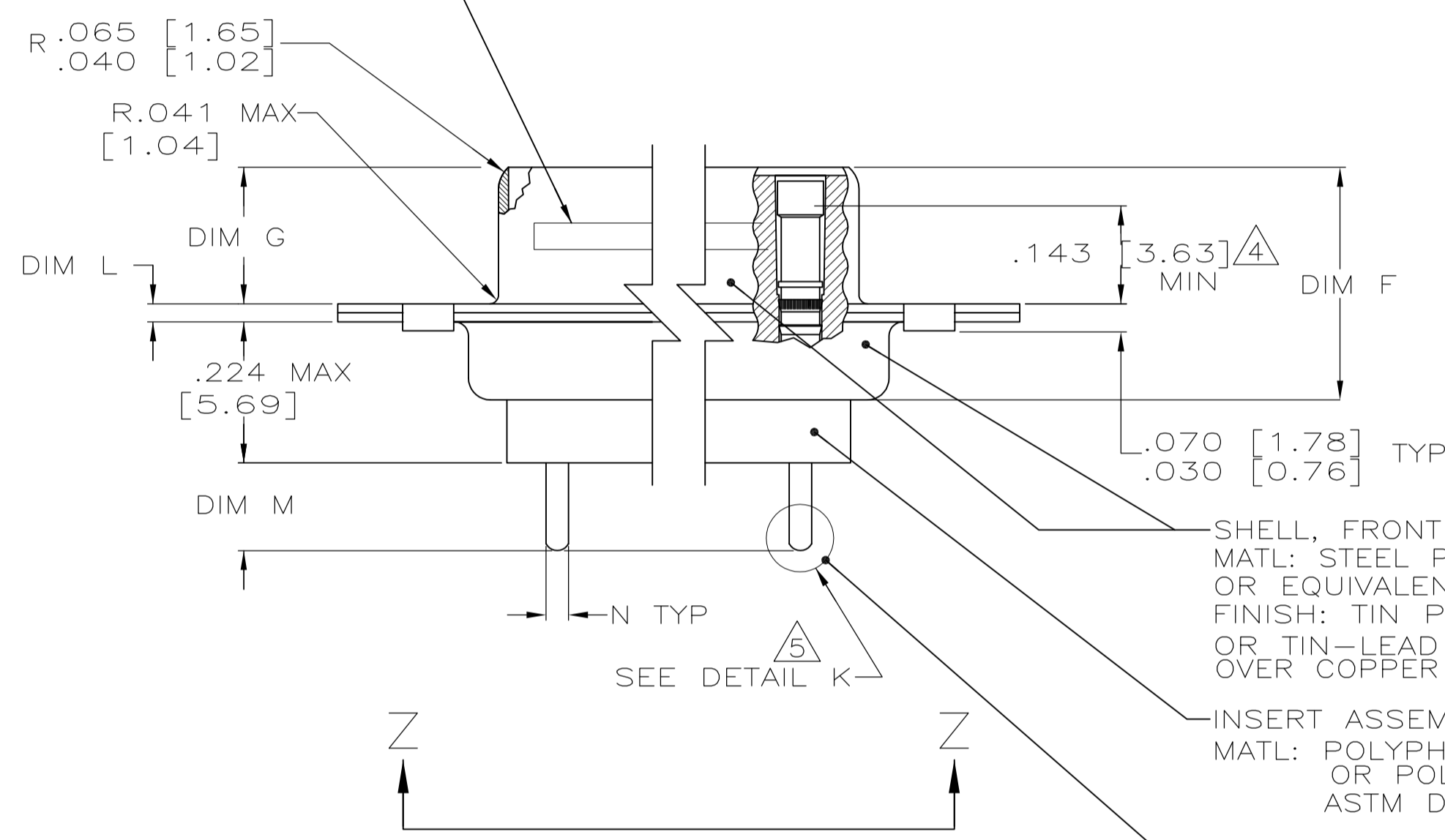
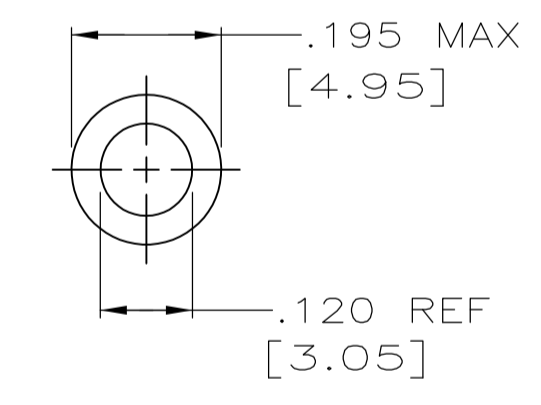
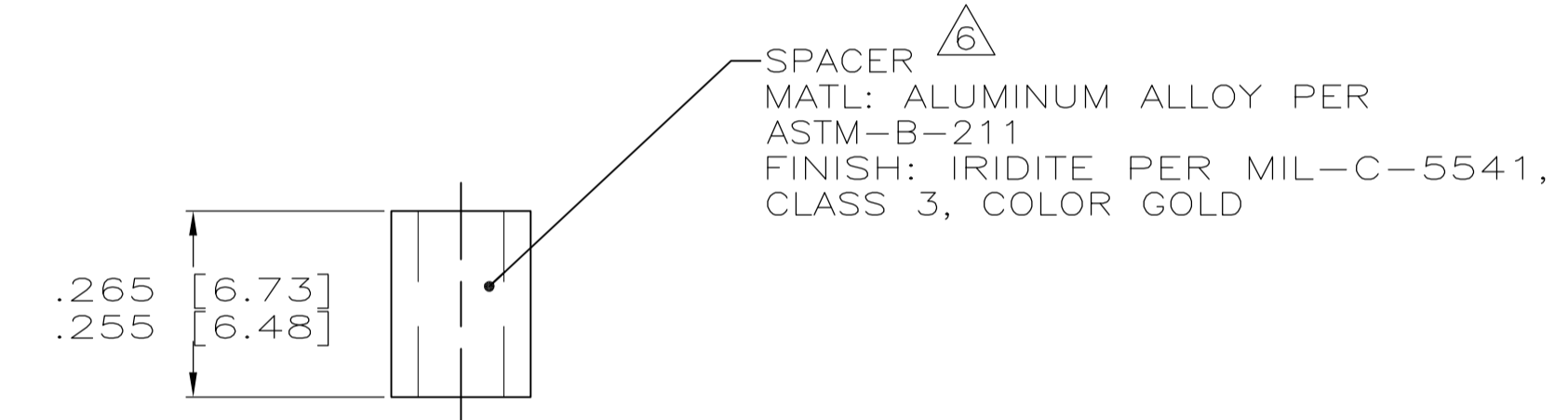


3 MARK AMP, AMP PART NO AND DATE CODE, FAR SIDE.



- 1 SEE SHEET 2 FOR RECOMMENDED P.C. BOARD LAYOUT. TRUE POSITION TOLERANCE FOR P.C. BOARD LAYOUT IS .010 [0.25] AT MAX MATERIAL CONDITION. SUGGESTED BOARD THICKNESS IS .125 [3.18]
- 2 THE CONNECTORS DESCRIBED IN THIS DOCUMENT WILL MATE WITH ANY PLUG CONNECTOR WITH THE SAME INSERT ARRANGEMENT.
- 3 MARKED WITH .047 [1.19]-.062 [1.57] HIGH CHARACTERS. FAR SIDE REFERS TO THE WIDE SIDE OF THE KEYSTONE. NEAR SIDE REFERS TO THE NARROW SIDE OF THE KEYSTONE. IF THE FRONT SHELL IS TOO SMALL FOR "AMP", AMP PART NUMBER AND DATE CODE, THEN SPLIT AS FOLLOWS:
 A. AMP PART NUMBER ON REAR SHELL, NEAR SIDE.
 B. "AMP" AND DATE CODE ON FRONT SHELL, NEAR SIDE.
- 4 POINT OF ELECTRICAL ENGAGEMENT - AS MEASURED WITH A .0390 [0.991]-.0393 [0.998] DIA SQUARE ENDED TEST PIN.
- 5 SOLDER DIPPED PER MIL-STD-2000 COMPOSITION Sn63 CONFORMING TO QQ-S-571. COVERAGE SHALL BE COMPLETE TO A DISTANCE .020 [0.51] MAX FROM INSERT ASSEMBLY.
- 6 SPACERS (QTY 2) ARE SUPPLIED WITH CONNECTORS (NOT ATTACHED TO THE CONNECTOR).
- 7. DIMENSIONS APPLY PRIOR TO SOLDER DIPPING.

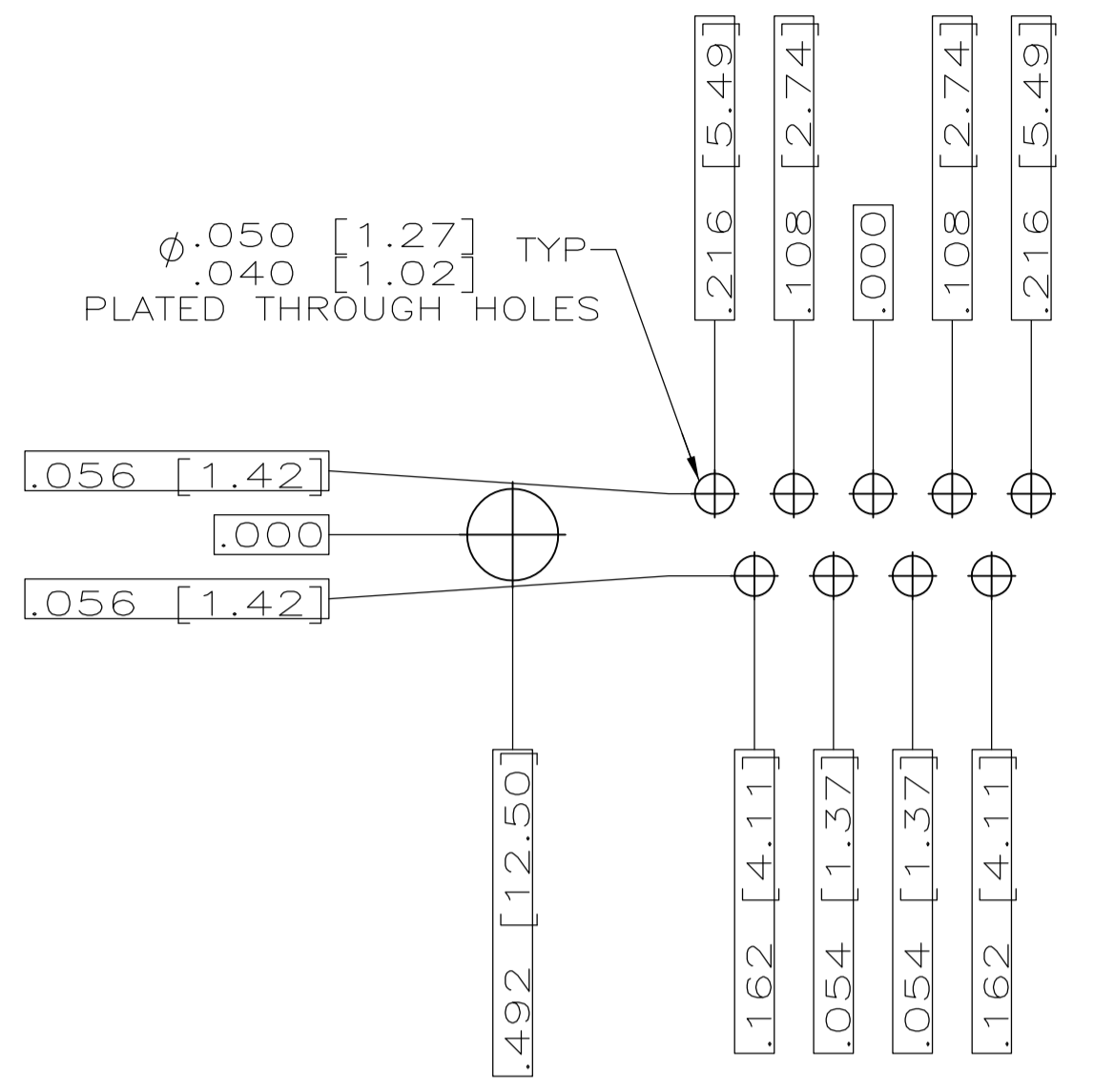


.033 [0.84] / .027 [0.69]	.176 [4.47] / .136 [3.45]	.040 [1.02] / .020 [0.51]	.544 [13.82] / .524 [13.31]	2.188 [55.58] / 2.168 [55.07]	.248 [6.30] / .238 [6.05]	.439 [11.15] / .419 [10.64]	.620 [15.75] / .590 [14.99]	.428 [10.87] / .418 [10.62]	2.411 [61.24] / 2.401 [60.99]	2.069 [52.55] / 2.059 [52.30]	2.650 [67.31] / 2.620 [66.55]	MS18277-1	50	5	1218293-5	1-1218293-0
.033 [0.84] / .027 [0.69]	.176 [4.47] / .136 [3.45]	.040 [1.02] / .020 [0.51]	.432 [10.97] / .412 [10.46]	2.282 [57.96] / 2.262 [57.45]	.248 [6.30] / .238 [6.05]	.439 [11.15] / .419 [10.64]	.509 [12.93] / .479 [12.17]	.316 [8.03] / .306 [7.77]	2.505 [63.63] / 2.495 [63.37]	2.164 [54.97] / 2.154 [54.71]	2.744 [69.70] / 2.714 [68.94]	MS18276-1	37	4	1218293-4	1218293-9
.033 [0.84] / .027 [0.69]	.176 [4.47] / .136 [3.45]	.040 [1.02] / .020 [0.51]	.432 [10.97] / .412 [10.46]	1.635 [41.53] / 1.615 [41.02]	.248 [6.30] / .238 [6.05]	.439 [11.15] / .419 [10.64]	.509 [12.93] / .479 [12.17]	.316 [8.03] / .306 [7.77]	1.857 [47.17] / 1.847 [46.91]	1.516 [38.51] / 1.506 [38.25]	2.103 [53.42] / 2.073 [52.65]	MS18275-1	25	3	1218293-3	1218293-8
.033 [0.84] / .027 [0.69]	.176 [4.47] / .136 [3.45]	.040 [1.02] / .020 [0.51]	.432 [10.97] / .412 [10.46]	1.093 [27.76] / 1.073 [27.25]	.248 [6.30] / .238 [6.05]	.439 [11.15] / .419 [10.64]	.509 [12.93] / .479 [12.17]	.316 [8.03] / .306 [7.77]	1.317 [33.45] / 1.307 [33.20]	.976 [24.79] / .966 [24.54]	1.556 [39.52] / 1.526 [38.76]	MS18274-1	15	2	1218293-2	1218293-7
.033 [0.84] / .027 [0.69]	.176 [4.47] / .136 [3.45]	.040 [1.02] / .020 [0.51]	.432 [10.97] / .412 [10.46]	.769 [19.53] / .749 [19.02]	.248 [6.30] / .238 [6.05]	.439 [11.15] / .419 [10.64]	.509 [12.93] / .479 [12.17]	.316 [8.03] / .306 [7.77]	.989 [25.12] / .979 [24.87]	.648 [16.46] / .638 [16.21]	1.228 [31.19] / 1.198 [30.43]	MS18273-1	9	1	1218293-1	1218293-6
.033 [0.84] / .027 [0.69]	.176 [4.47] / .136 [3.45]	.040 [1.02] / .020 [0.51]	.544 [13.82] / .524 [13.31]	2.188 [55.58] / 2.168 [55.07]	.248 [6.30] / .238 [6.05]	.439 [11.15] / .419 [10.64]	.620 [15.75] / .590 [14.99]	.428 [10.87] / .418 [10.62]	2.411 [61.24] / 2.401 [60.99]	2.069 [52.55] / 2.059 [52.30]	2.650 [67.31] / 2.620 [66.55]	MS18277-1	50	5	1218293-5	1218293-5
.033 [0.84] / .027 [0.69]	.176 [4.47] / .136 [3.45]	.040 [1.02] / .020 [0.51]	.432 [10.97] / .412 [10.46]	2.282 [57.96] / 2.262 [57.45]	.248 [6.30] / .238 [6.05]	.439 [11.15] / .419 [10.64]	.509 [12.93] / .479 [12.17]	.316 [8.03] / .306 [7.77]	2.505 [63.63] / 2.495 [63.37]	2.164 [54.97] / 2.154 [54.71]	2.744 [69.70] / 2.714 [68.94]	MS18276-1	37	4	1218293-4	1218293-4
.033 [0.84] / .027 [0.69]	.176 [4.47] / .136 [3.45]	.040 [1.02] / .020 [0.51]	.432 [10.97] / .412 [10.46]	1.635 [41.53] / 1.615 [41.02]	.248 [6.30] / .238 [6.05]	.439 [11.15] / .419 [10.64]	.509 [12.93] / .479 [12.17]	.316 [8.03] / .306 [7.77]	1.857 [47.17] / 1.847 [46.91]	1.516 [38.51] / 1.506 [38.25]	2.103 [53.42] / 2.073 [52.65]	MS18275-1	25	3	1218293-3	1218293-3
.033 [0.84] / .027 [0.69]	.176 [4.47] / .136 [3.45]	.040 [1.02] / .020 [0.51]	.432 [10.97] / .412 [10.46]	1.093 [27.76] / 1.073 [27.25]	.248 [6.30] / .238 [6.05]	.439 [11.15] / .419 [10.64]	.509 [12.93] / .479 [12.17]	.316 [8.03] / .306 [7.77]	1.317 [33.45] / 1.307 [33.20]	.976 [24.79] / .966 [24.54]	1.556 [39.52] / 1.526 [38.76]	MS18274-1	15	2	1218293-2	1218293-2
.033 [0.84] / .027 [0.69]	.176 [4.47] / .136 [3.45]	.040 [1.02] / .020 [0.51]	.432 [10.97] / .412 [10.46]	.769 [19.53] / .749 [19.02]	.248 [6.30] / .238 [6.05]	.439 [11.15] / .419 [10.64]	.509 [12.93] / .479 [12.17]	.316 [8.03] / .306 [7.77]	.989 [25.12] / .979 [24.87]	.648 [16.46] / .638 [16.21]	1.228 [31.19] / 1.198 [30.43]	MS18273-1	9	1	1218293-1	1218293-1
N	M	L	J	H	G	F	E	D	C	B	A	INSERT ARRANGEMENT	NO OF POS	SHELL SIZE	AMP PN ON CONNECTOR	PART NUMBER

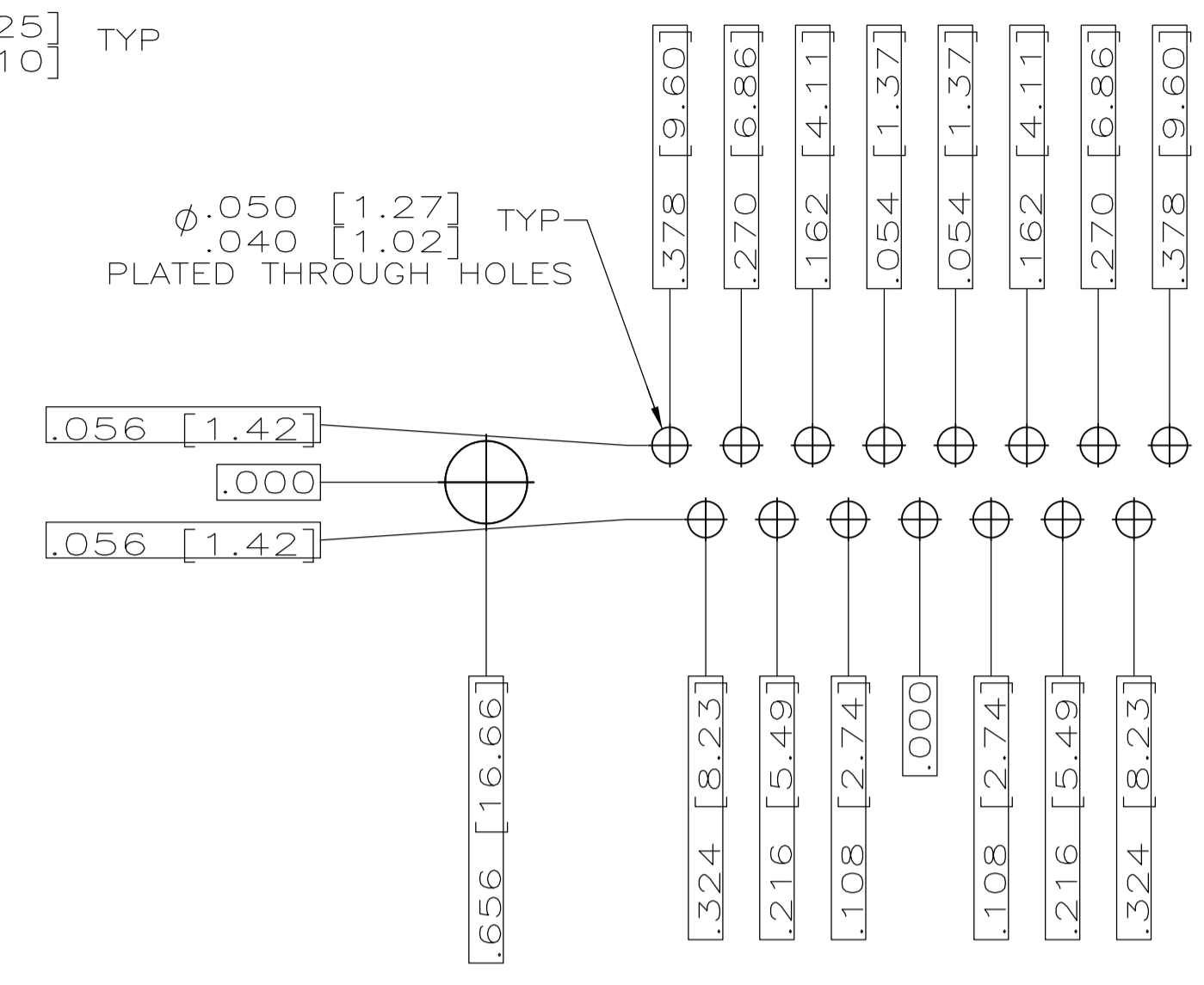
THIS DRAWING IS A CONTROLLED DOCUMENT.

DIMENSIONS: INCHES	TOLERANCES UNLESS OTHERWISE SPECIFIED:	0 PLC ± .0005	1 PLC ± .0010	2 PLC ± .0015	3 PLC ± .0020	4 PLC ± .0025	ANGLES ± .005
MATERIAL: SEE CALLOUTS	FINISH: SEE CALLOUTS	WEIGHT: —	SCALE: 4:1	SHEET: 1 OF 2	REV: B	CUSTOMER DRAWING	

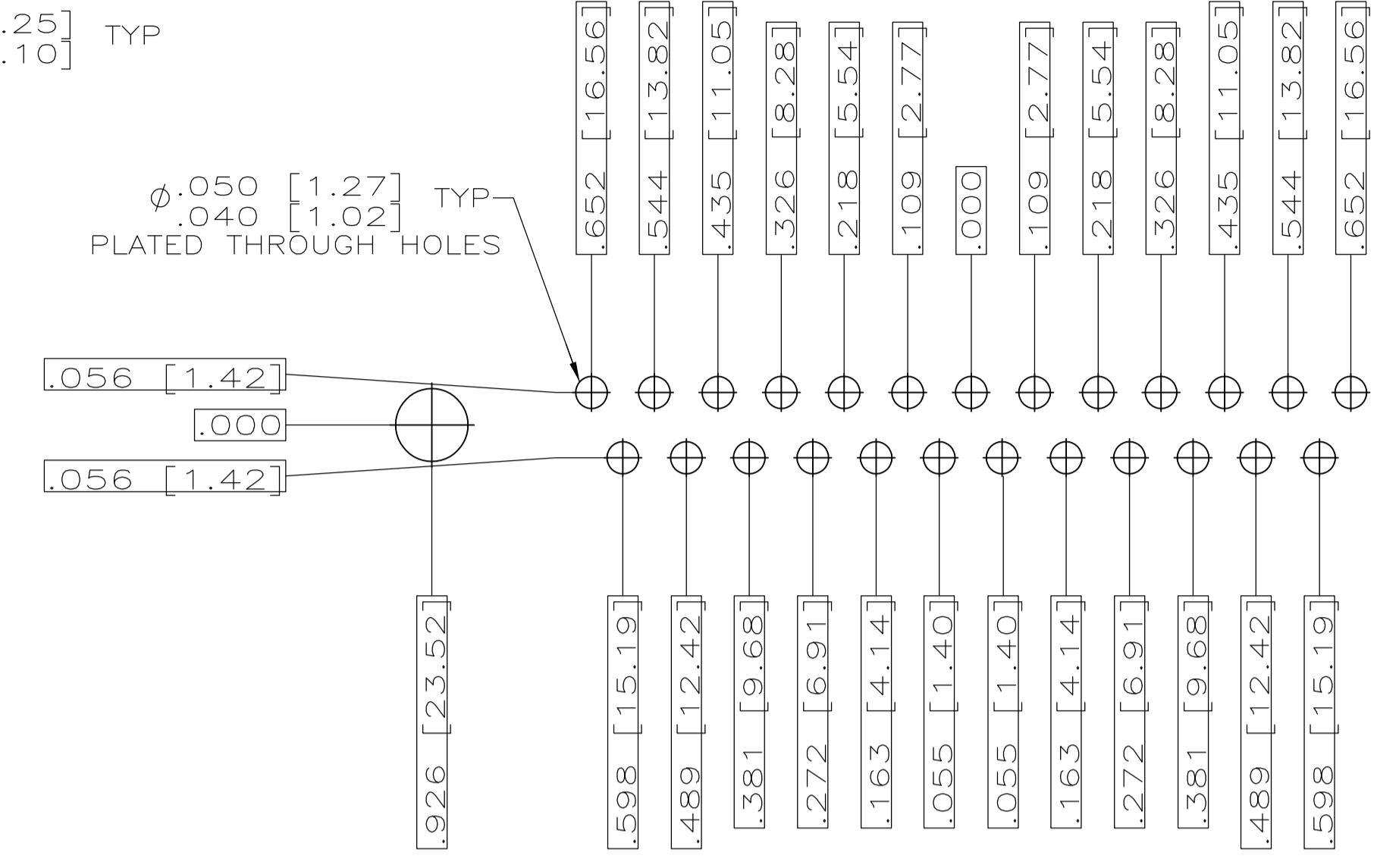
DIB: C.C. THOMAS 10-14-99
 CHK: D. HOFFMAN 10-18-99
 APVD: D. HOFFMAN 10-18-99
 NAME: AMPLIMITE RECEPTACLE ASSY, LOW PROFILE SIZE 20 POSTED CONTACTS SERIES 109, SIZE 1 THRU 5
 SIZE: A1 00779 C=1218293
 RESTRICTED TO: —



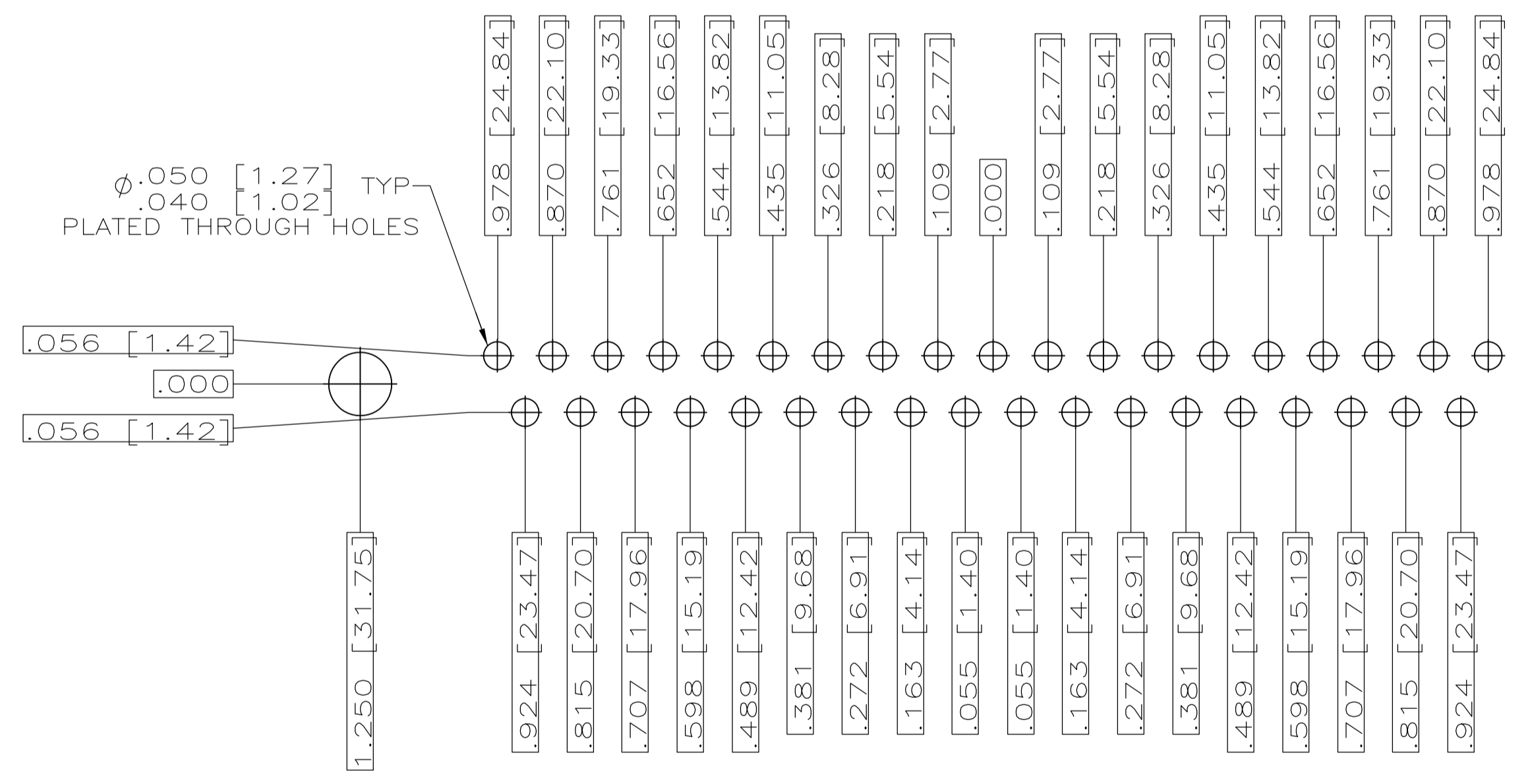
RECOMMENDED P.C. BOARD LAYOUT
 SHELL SIZE 1 (9 POSITION) Δ



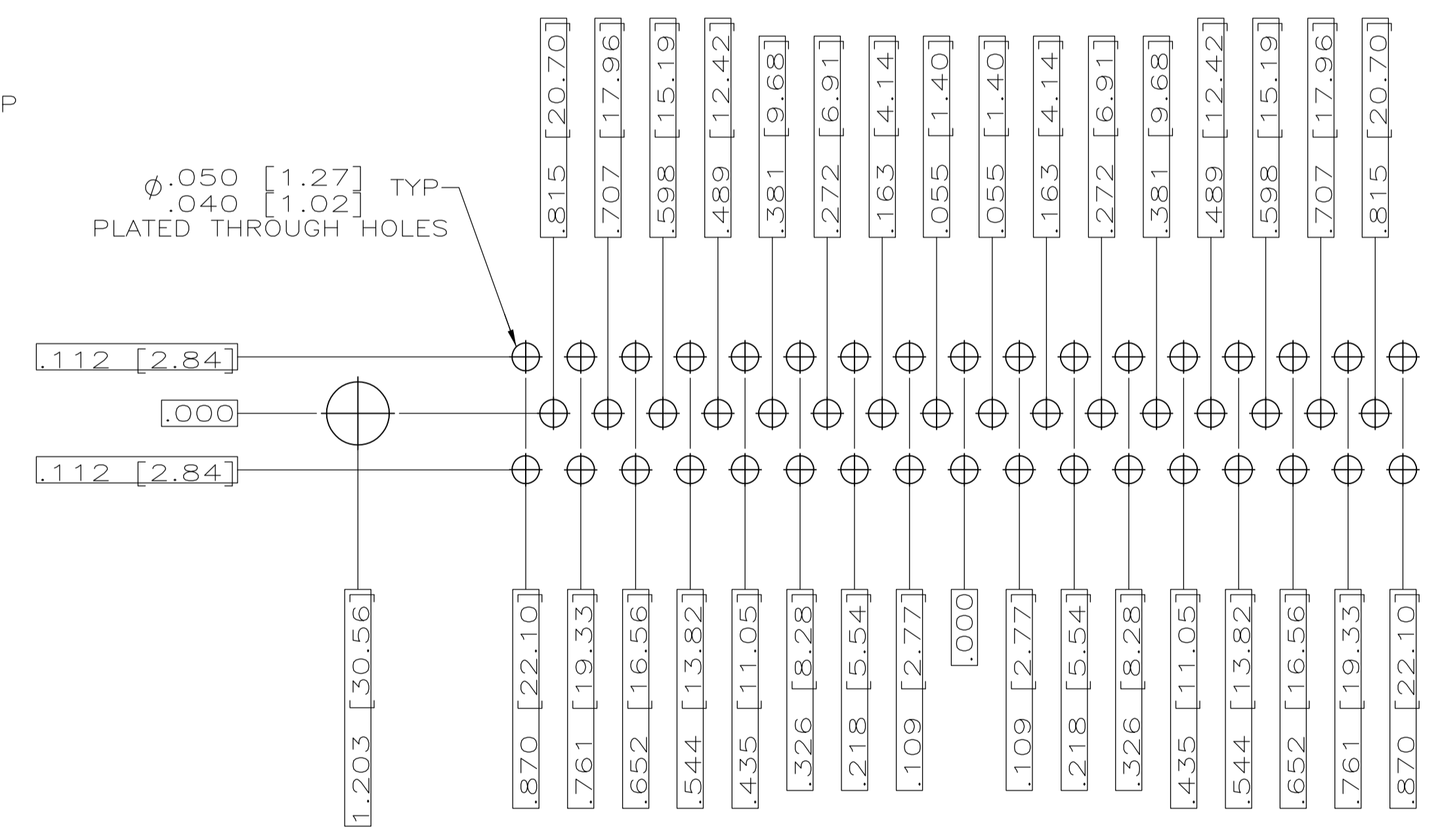
RECOMMENDED P.C. BOARD LAYOUT
 SHELL SIZE 2 (15 POSITION) Δ



RECOMMENDED P.C. BOARD LAYOUT
 SHELL SIZE 3 (25 POSITION) Δ



RECOMMENDED P.C. BOARD LAYOUT
 SHELL SIZE 4 (37 POSITION) Δ



RECOMMENDED P.C. BOARD LAYOUT
 SHELL SIZE 5 (50 POSITION) Δ

THIS DRAWING IS A CONTROLLED DOCUMENT.		DIN C.C.THOMAS 10-14-99	Tyco Electronics Corporation Harrisburg, PA 17105-3608	
DIMENSIONS: INCHES		CHK D.HOFFMAN 10-18-99	NAME D.HOFFMAN	
TOLERANCES UNLESS OTHERWISE SPECIFIED: 0 PLC 1 PLC 2 PLC 3 PLC 4 PLC ANGLES		APPRO D.HOFFMAN 10-18-99	PRODUCT SPEC APPLICATION SPEC	
MATERIAL SEE CALLOUTS		FINISH SEE CALLOUTS	WEIGHT -	RESTRICTED TO -
CUSTOMER DRAWING		SIZE A1	SCALE 4:1	REV 2
DRAWING NO. 00779		DRAWING NO. 1218293		SHEET 2 OF 2