

M3 THREAD  
5 IN.-LB. MAX.  
APPLICATION TORQUE  
(SEE NOTE 5)

NOTES:

1) MATERIALS:

- HOUSING: GLASS FILLED LCP (LIQUID CRYSTAL POLYMER), UL 94V-0, COLOR: BLACK.
- MOLDED STICK: GLASS FILLED LCP (LIQUID CRYSTAL POLYMER), UL 94V-0, COLOR: BLACK.
- MALE TERMINAL: PHOSPHOR BRONZE
- OUTER SHELL: DEEP DRAWN STEEL.

2) PLATING :

- TERMINAL: .000030/(0.000762) MINIMUM GOLD IN SELECTIVE AREA;  
.000100/(0.00254) MINIMUM TIN IN SELECTIVE AREA;  
OVER NICKEL UNDERPLATE OVERALL.
- OUTER SHELL: .000150/(0.00381) MINIMUM TIN  
OVER .000050/(0.00127) MINIMUM NICKEL  
OVER COPPER FLASH OVERALL (OPTIONAL).

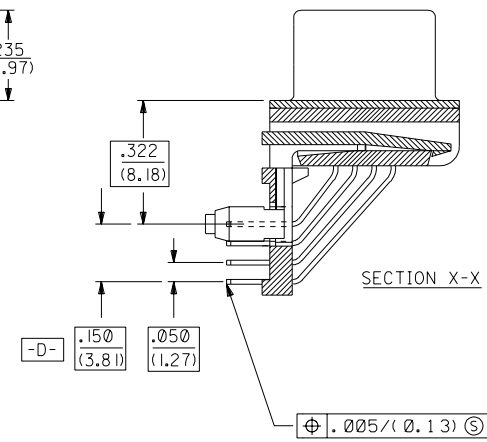
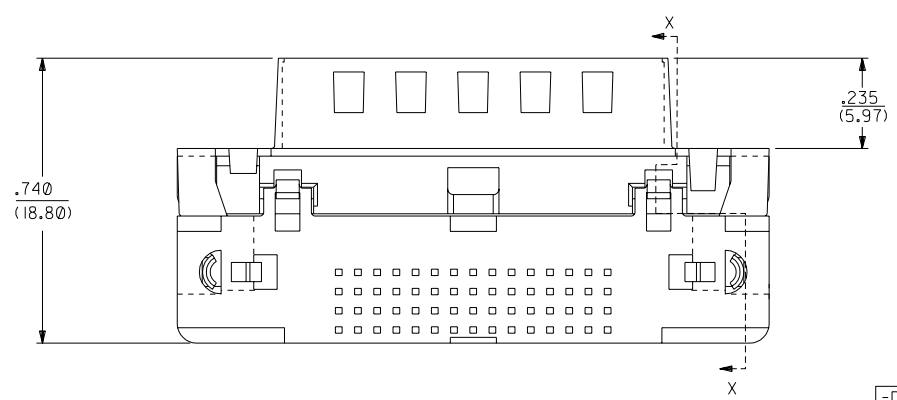
3) CONFORMS TO PRODUCT SPECIFICATION PS-70928.

4) PARTS TO BE PACKAGED IN TUBES.

5) THREAD GAUGE MAY REQUIRE UP TO 1 IN.-LB. OF TORQUE DURING GAUGING PROCESS.

NOTE FOR LEAD FREE CONVERSION:

THE PRIMARY SHIPPING CARTON WILL BE LABELED "COMPLIANT TO ROHS DIRECTIVE 2002/95/EC AND ELV ANNEX II OF DIRECTIVE 2000/53/EC". CARTONS WITHOUT THIS LABEL MAY CONTAIN PRODUCT WITH LEAD.

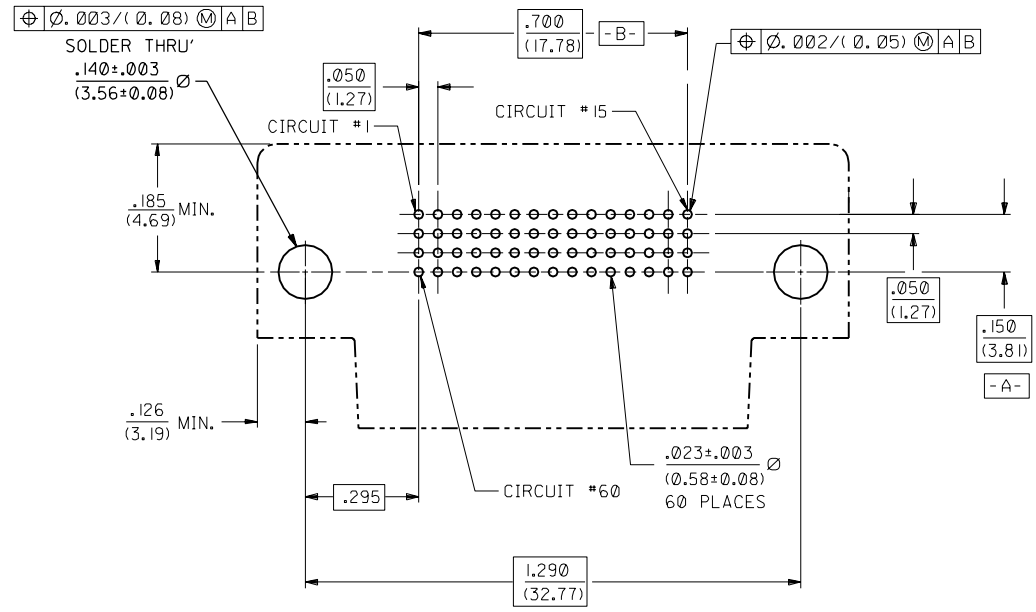


PART NUMBER	ENGINEERING NUMBER	DIM. 'A'
015-92-2250	70929-0001	.092±.012
015-92-2253	70929-0002	.104±.012

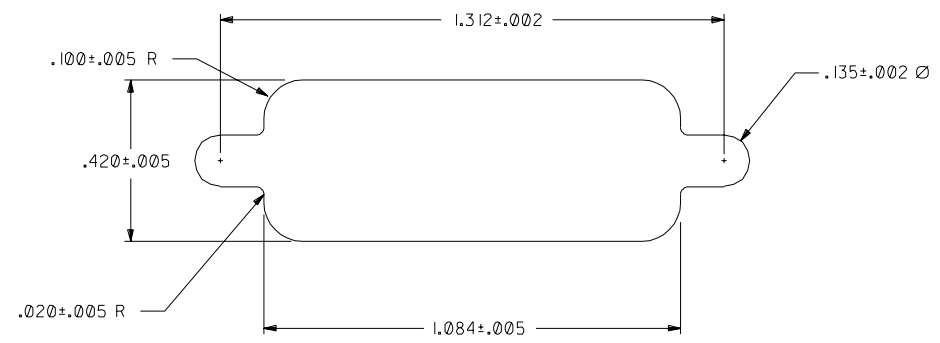
DIMENSIONS SHOWN (METRIC) INCH UNLESS OTHERWISE SPECIFIED TOLERANCES: ANGULAR ± 1/2°		▽ = 0   ▽ = 0   REVISION ONLY ON CAD SYSTEM	
3 PLACE ± --- ---		TITLE .050" PITCH LFH 60 CKT R/A D-SUB SALES ASSY. MALE	
2 PLACE ± --- ± ---		MOLEX INCORPORATED   SHEET NO.   DATE LITSE,ILL.   60532   U.S.A.   1 OF 2   12 / 17 / 90	
1 PLACE --- ± ---		PART NO.   DRWG. NO. SEE CHART   SDA-70929-0001	
DRAFT WHERE APPLICABLE MUST REMAIN WITHIN DIMENSIONS		APP'D. BY   MOS   CHK'D. BY   CAB   FILE NAME   570929X1   DIV.   SIZE BY   CAB   SCALE   4: 1   DGN   MOLEX INC. AND SHOULD NOT BE USED WITHOUT WRITTEN PERMISSION   CD   C	

G	LEADFREE ECN# UCP2004-1998 DMORGAN 04/04/14
F1	REVISED PER ECN U8-1031 O'DELL 97/10/24
F	REVISED PER ECN U70417 SCHMIDG 96/11/08
E	REVISED PER ECN U6-1485 DRS 05/29/96
D1	REVISED PER ECN U6-1233 DRS 04/03/96
D	REVISED PER ECN U6-0641 DRS 12/01/95
C2	MODIFIED PER ECN U40503 DKS 4-15-94
C1	MODIFIED PER ECN U6-1051 DRS 07.15.92
C	MODIFIED PER ECN U2-0667 MOS 4.28.92
B	MODIFIED PER ECR U1-2081 MOS 10.29.91
A	RELEASED PER ECR U10958 MOS 5.16.91

70929



RECOMMENDED P.C.B. LAYOUT  
COMPONENT SIDE



RECOMMENDED PANEL CUT-OUT

F1	SEE SHEET I
E	SEE SHEET I

DIMENSIONS SHOWN (METRIC) INCH		▽ = 0		▼ = 0		REVISE ONLY ON CAD SYSTEM	
UNLESS OTHERWISE SPECIFIED TOLERANCES ANGULAR ± 1/2°							
3 PLACE ± --- ---		INCH		METRIC			
2 PLACE ± --- ± ---							
1 PLACE --- ± ---							
DRAFT WHERE APPLICABLE MUST REMAIN WITHIN DIMENSIONS							
DRWG. BY: MOS	CHK'D. BY: CAB	FILE NAME: S70929X1A	DRWG. NO.: SDA-70929-0001	PART NO.:	SHEET NO.:	DATE:	U.S.A.
APP'D. BY: CAB	SCALE: 4: 1	SEE SHEET 1		135E.I.L.L. 60532	2	4/15/94	
THIS DRAWING CONTAINS INFORMATION THAT IS PROPRIETARY TO MOLEX INC. AND SHOULD NOT BE USED WITHOUT WRITTEN PERMISSION.							