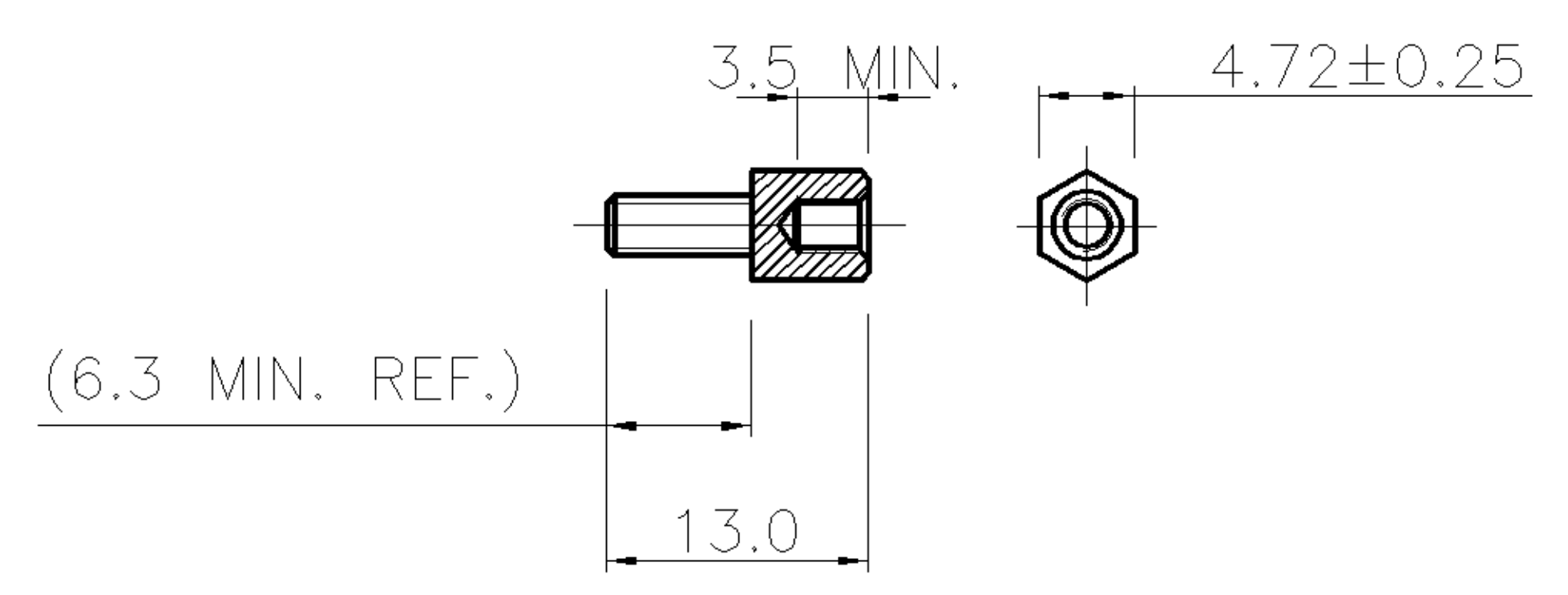
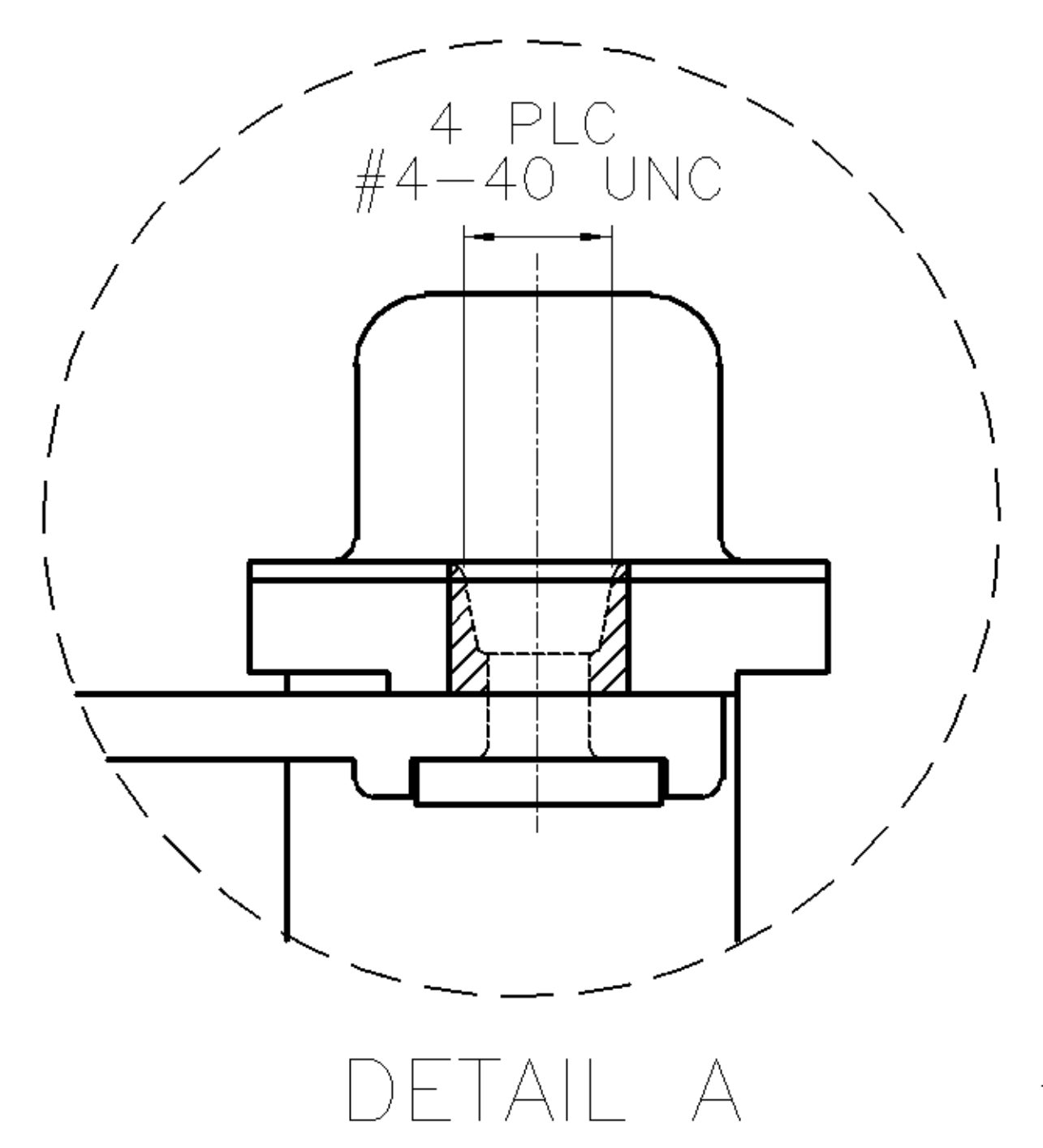
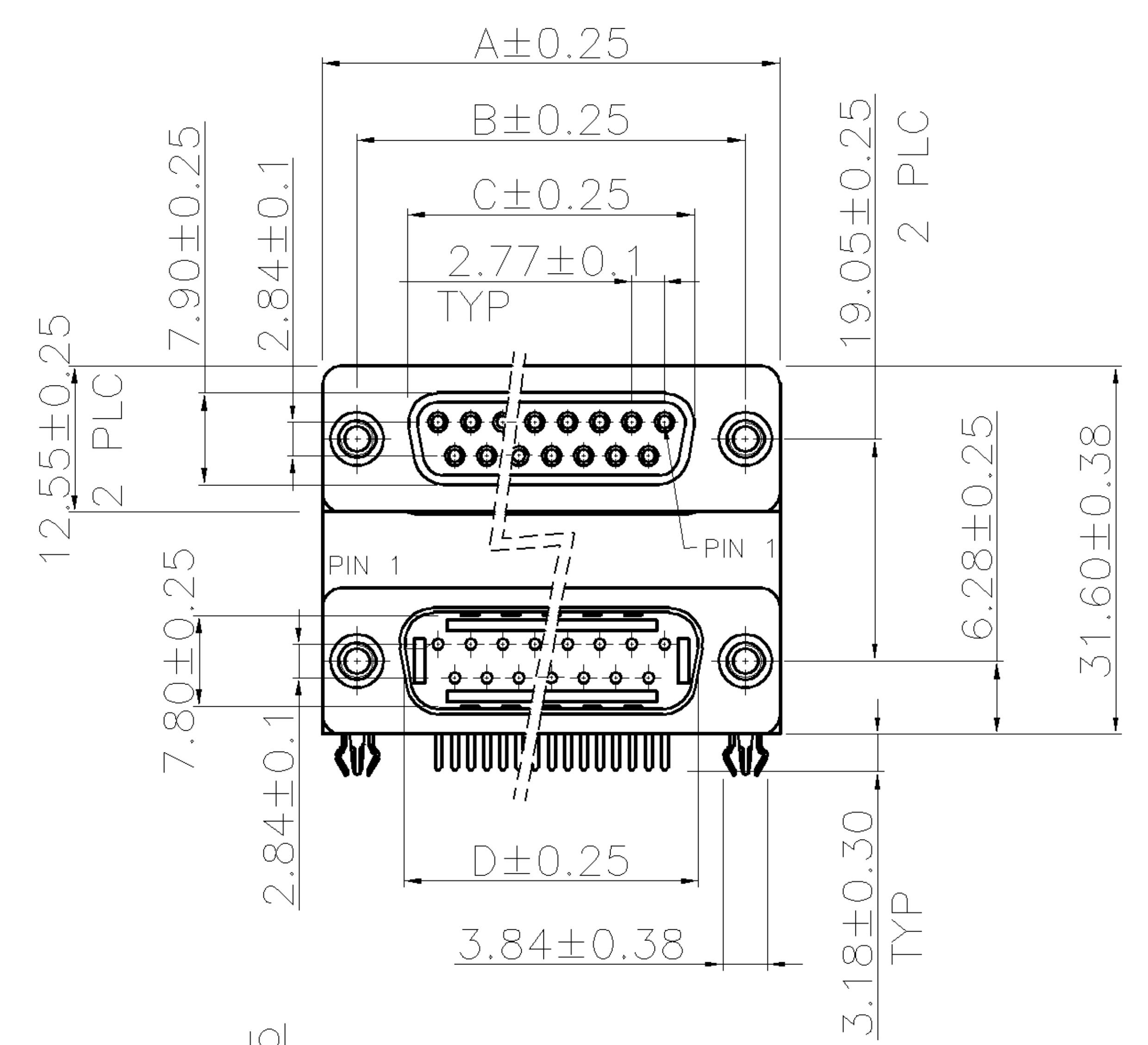
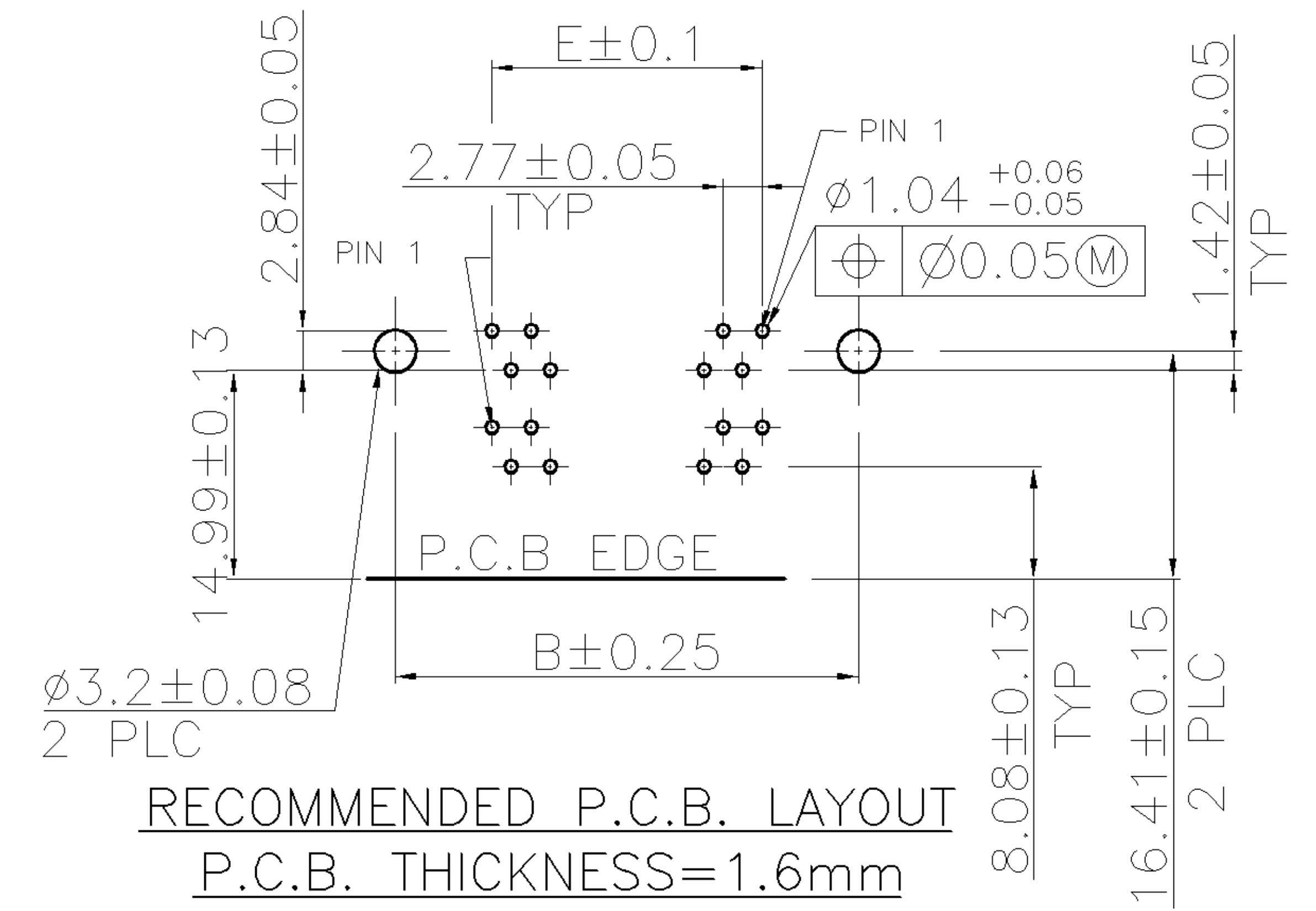
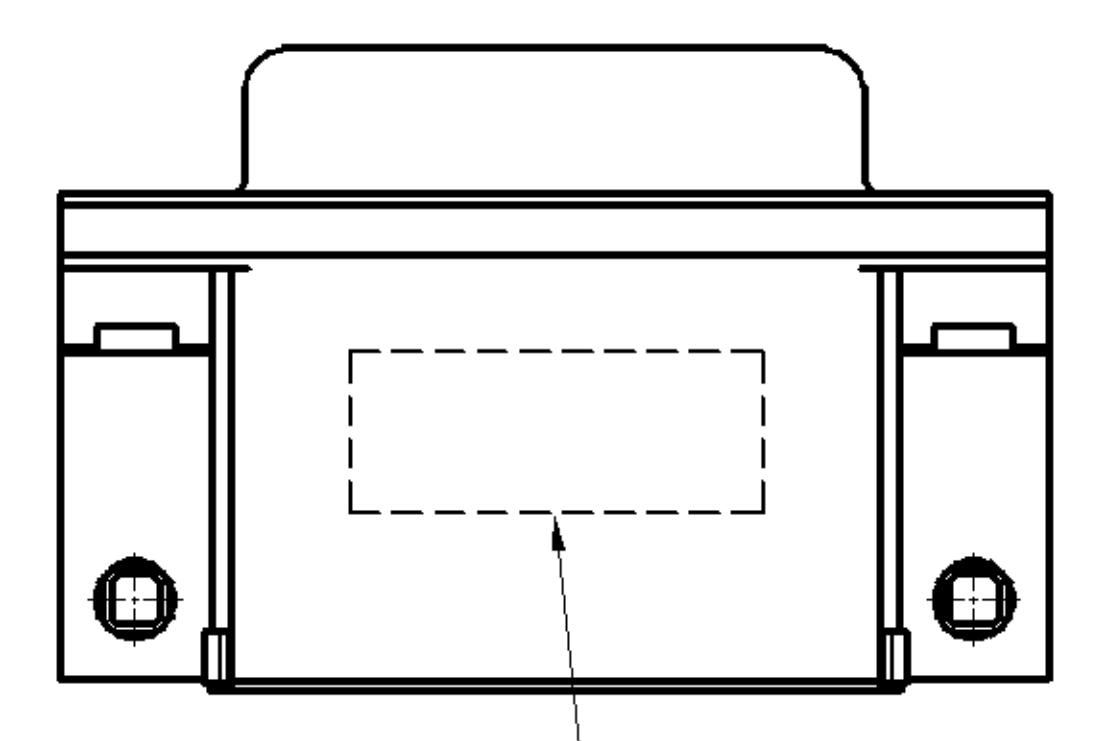
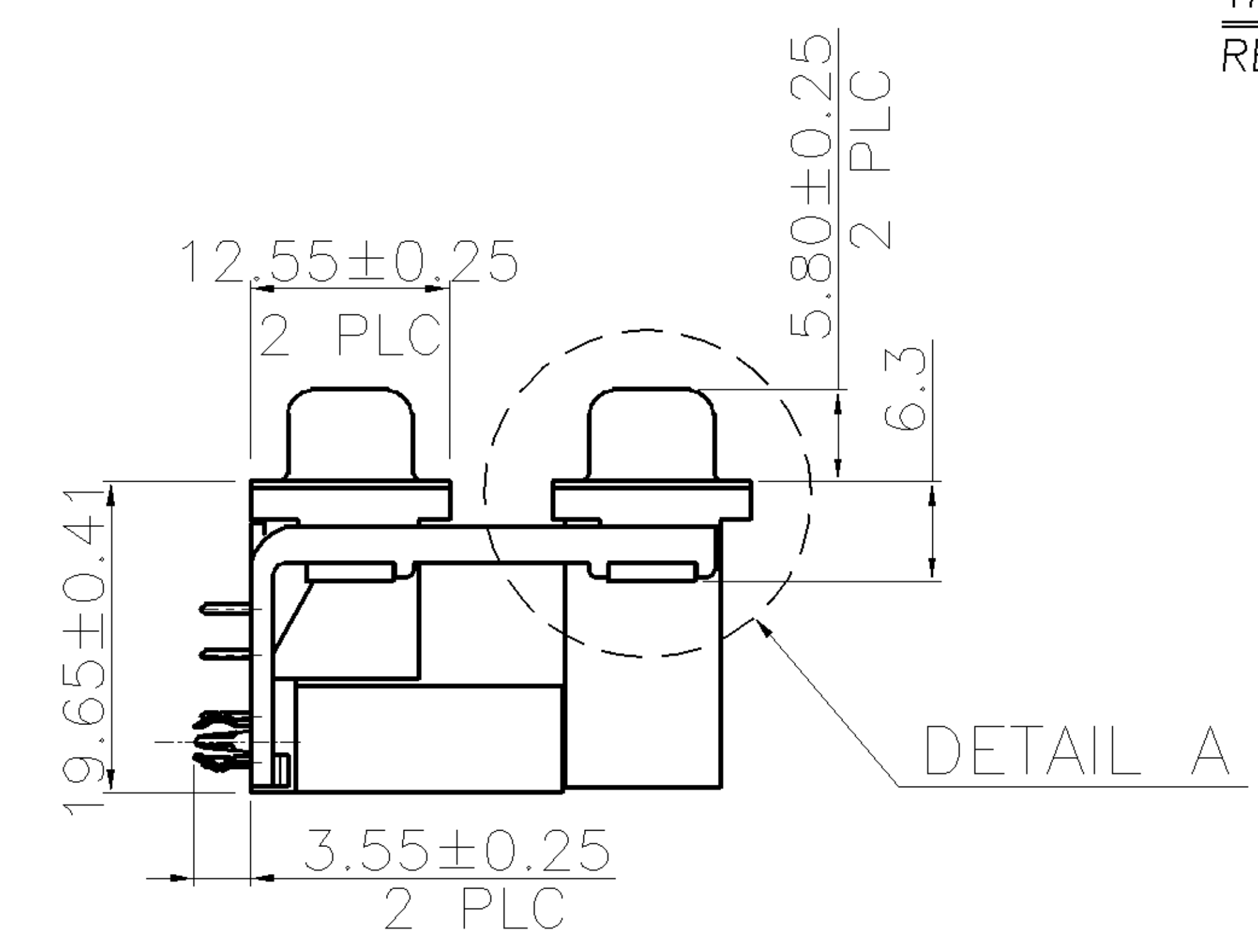
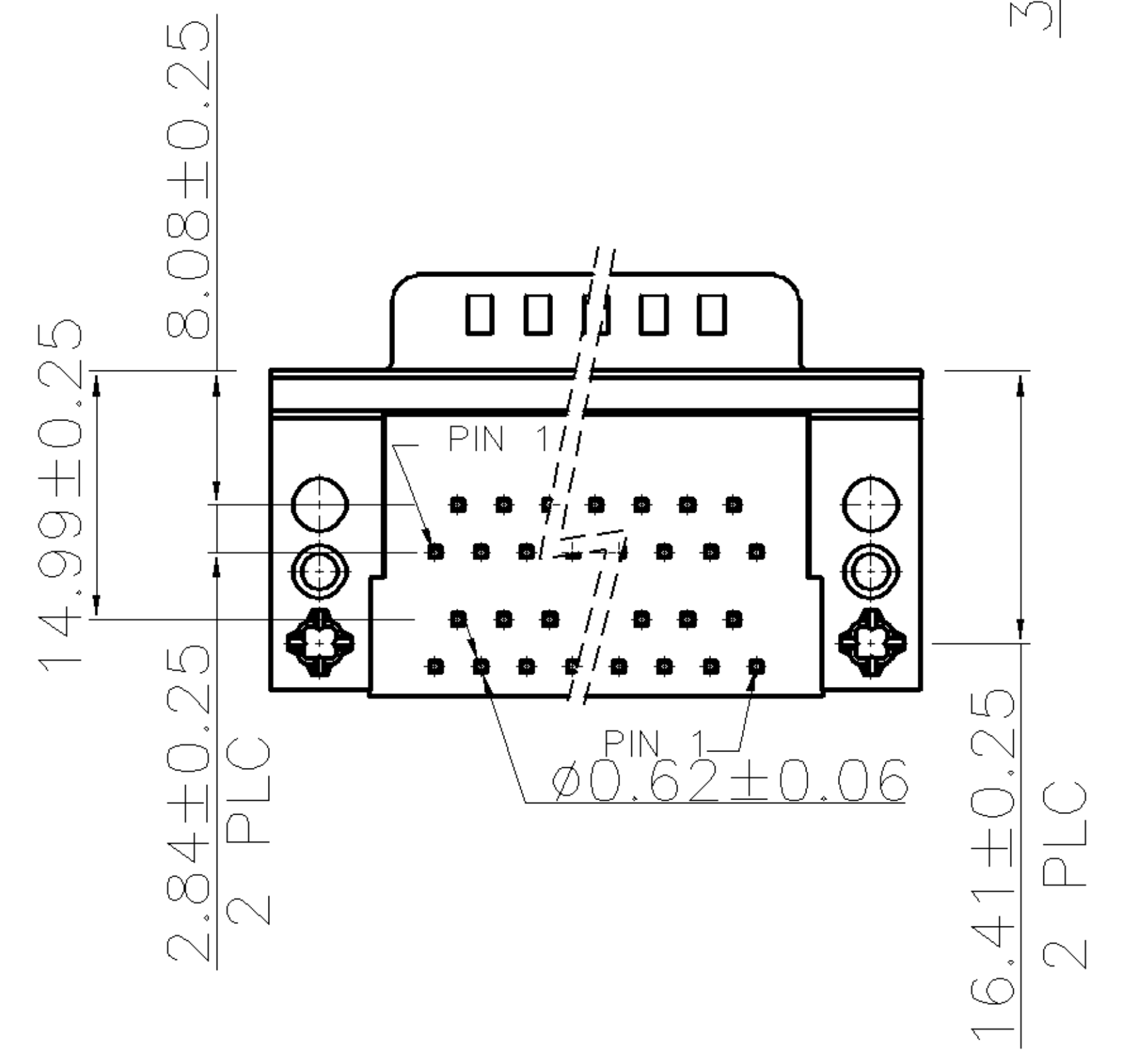


THIS DRAWING IS UNPUBLISHED. RELEASED FOR PUBLICATION
 © COPYRIGHT BY TYCO ELECTRONICS CORPORATION. ALL RIGHTS RESERVED.

LOC	DIST	REVISIONS					
DW	—	P	LTR	DESCRIPTION	DATE	DWN	APVD
		A		RELEASED	19OCT06	JL	WK



THIS PRODUCT EQUIPPED WITH NO SCREW
 RECOMMENDED OUTSOURCING SCREW TYPE



3-1734207-X	37-37	69.34	63.50	55.42	54.80	49.86
2-1734207-X	25-25	53.10	47.04	38.96	38.30	33.24
1-1734207-X	15-15	39.30	33.30	25.25	24.60	19.39
1734207-X	9-9	30.95	24.99	16.92	16.20	11.08
PART NO.	PINS	A	B	C	D	E

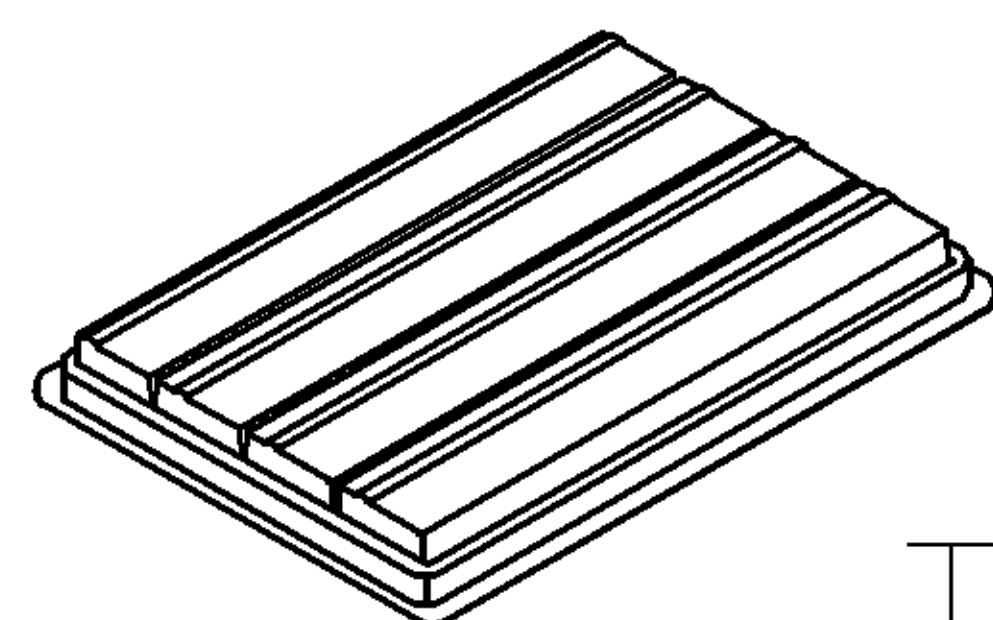
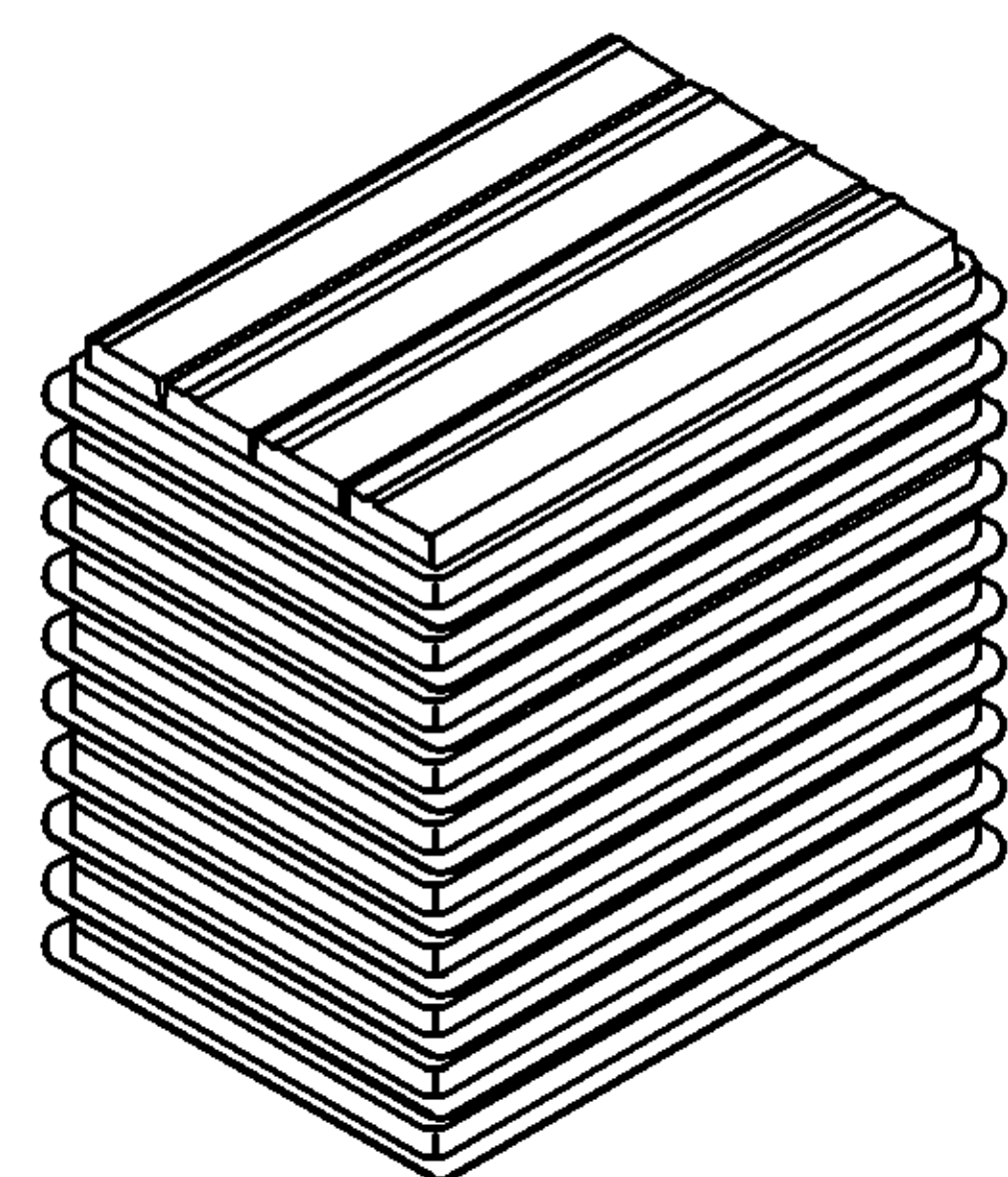
X-1734207-6	30 u"	PC99/ACTUAL COLOR	37-37 NOT AVAILABLE
X-1734207-5	10 u"	PC99/ACTUAL COLOR	
X-1734207-4	GOLD FLASH	PC99/ACTUAL COLOR	
X-1734207-3	30 u"	BLACK	
X-1734207-2	10 u"	BLACK	
X-1734207-1	GOLD FLASH	BLACK	
PART NO.	GOLD PLATING	HSG COLOR	

THIS DRAWING IS A CONTROLLED DOCUMENT.		DWN	J. LEE	19OCT2006	tyco Electronics	Tyco Holdings (Bermuda) VII Ltd. Taiwan Branch	
DIMENSIONS: MM		CHK	S. HOU	19OCT2006		NAME	
TOLERANCES UNLESS OTHERWISE SPECIFIED:		APVD	W.J. KE	19OCT2006	PRODUCT SPEC		
0 PLC ± 0.5		QUALIFICATION TEST REPORT			108-57517		
1 PLC ± 0.3		WEIGHT			501-57590		
2 PLC ± 0.2		CUSTOMER DRAWING			SCALE -		
3 PLC ± 0.15		SIZE			A3		
4 PLC ±		CAGE CODE			00779		
ANGLES ± 3'		DRAWING NO			C-1734207		
FINISH		RESTRICTED TO			-		
SEE NOTE		SHEET			1 OF 2		
		REV			A		

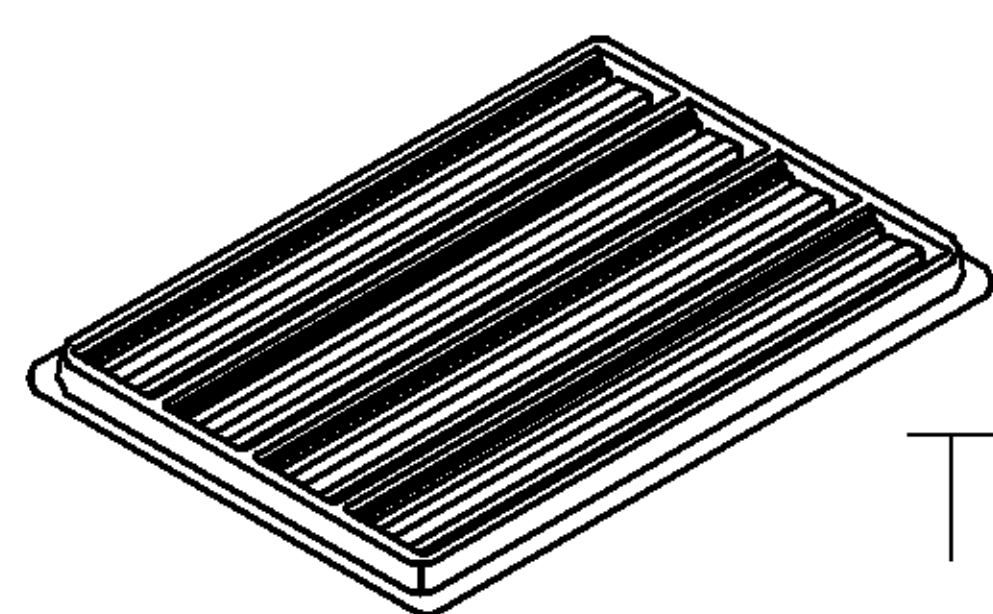
- NOTES:
- MATERIAL:
 - HOUSING/BACK COVER: THERMOPLASTIC(PBT), UL94V-0; COLOR: SEE TABLE.
 - CONTACTS: PLUG: BRASS. RCPT.: PHOSPHOR BRONZE.
 - BOARDLOCK: BRASS.
 - BRACKET: ZINC ALLOY.
 - SHELL: STEEL.
 - FINISH:
 - CONTACT: GOLD PLATING(SEE TABLE) ON CONTACT AREA. 2.54um[100u"] MIN. MATTE TIN PLATING ON SOLDER TAILS. 1.27um[50u"] MIN. NICKEL UNDERPLATING OVERALL.
 - BOARDLOCK: 1.52um[60u"] MIN. MATTE TIN OVERALL.
 - SHELL: 1.27um[50u"] MIN. NICKEL OVERALL.
 - APPLICATION:
 - WAVE SOLDER CAPABLE TO 265°C PER TYCO SPEC. 109-202, CONDITION B.
 - THREADED INSERTS AND SCREWLOCKS MUST WITHSTAND 6 IN-LBS TORQUE.

THIS DRAWING IS UNPUBLISHED. RELEASED FOR PUBLICATION
 © COPYRIGHT BY TYCO ELECTRONICS CORPORATION. ALL RIGHTS RESERVED.

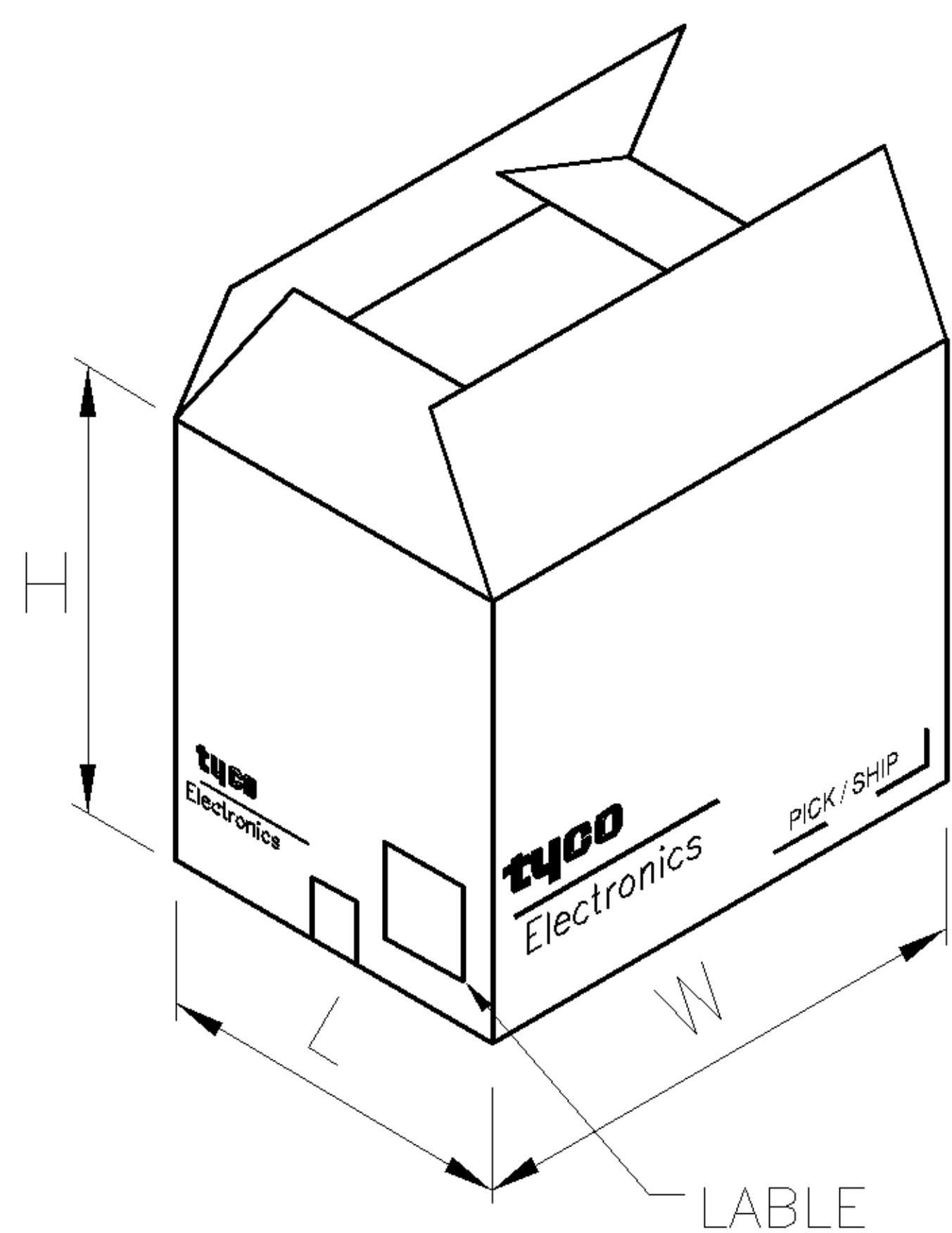
LOC	DIST	REVISIONS			
P	LTR	DESCRIPTION	DATE	DWN	APVD
		SEE SHEET 1.			



TOP COVER



TRAY

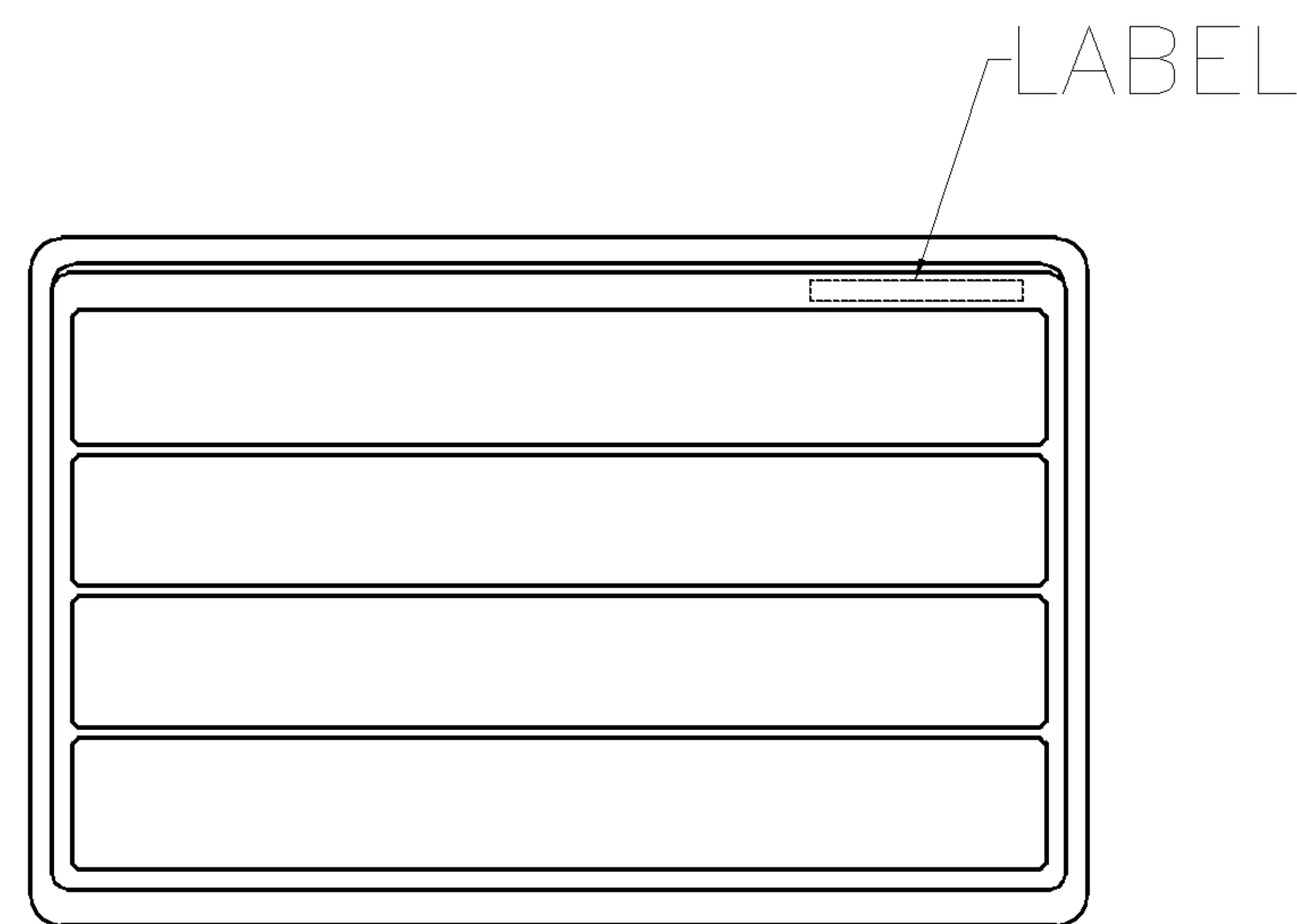


CARTON

NOTES:

- DIMENSION:
 TRAY: L=315, W=215, H=30
 CARTON: L=335, W=230, H=280
- TRAY: PS or PET
- QUANTITY:

PIN NO.	9-9	15-15	25-25	37-37
PCS/TRAY	36	28	20	16
TRAY/CARTON	10	10	10	10
PCS/CARTON	360	280	200	160
NET WEIGHT	9.72	9.48	9.30	10.3
GROSS WEIGHT	11.22	10.91	10.80	11.46



TRAY LAYOUT

THIS DRAWING IS A CONTROLLED DOCUMENT.		DWN J. LEE 19OCT2006	tyco Tyco Holdings (Bermuda)													
DIMENSIONS: MM		CHK S. HOU 19OCT2006	Electronics VII Ltd. Taiwan Branch													
TOLERANCES UNLESS OTHERWISE SPECIFIED:		APVD W.J. KE 19OCT2006	NAME													
<table border="0"> <tr><td>0 PLC</td><td>± -</td></tr> <tr><td>1 PLC</td><td>± -</td></tr> <tr><td>2 PLC</td><td>± -</td></tr> <tr><td>3 PLC</td><td>± -</td></tr> <tr><td>4 PLC</td><td>± -</td></tr> <tr><td>ANGLES</td><td>± -</td></tr> </table>		0 PLC	± -	1 PLC	± -	2 PLC	± -	3 PLC	± -	4 PLC	± -	ANGLES	± -	PRODUCT SPEC	D-SUB STACKED RCPT. OVER PLUG R/A TYPE, THREAD INSERTS	
0 PLC	± -															
1 PLC	± -															
2 PLC	± -															
3 PLC	± -															
4 PLC	± -															
ANGLES	± -															
MATERIAL		APPLICATION SPEC	SIZE	RESTRICTED TO												
FINISH		WEIGHT	A3 00779	—												
		CUSTOMER DRAWING	DRAWING NO C=1734207													
		SCALE	SHEET	REV												
		—	2 OF 2	A												