

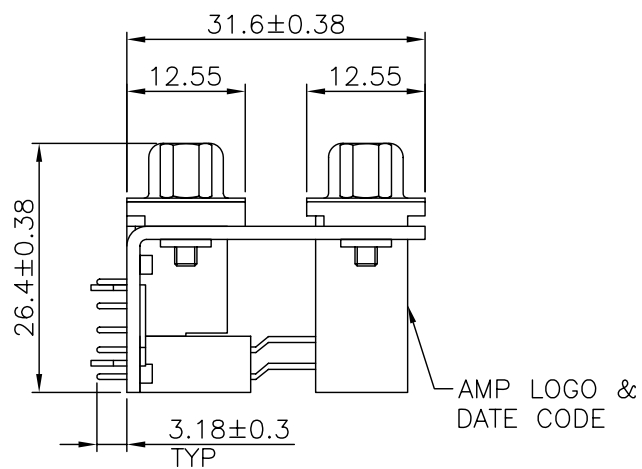
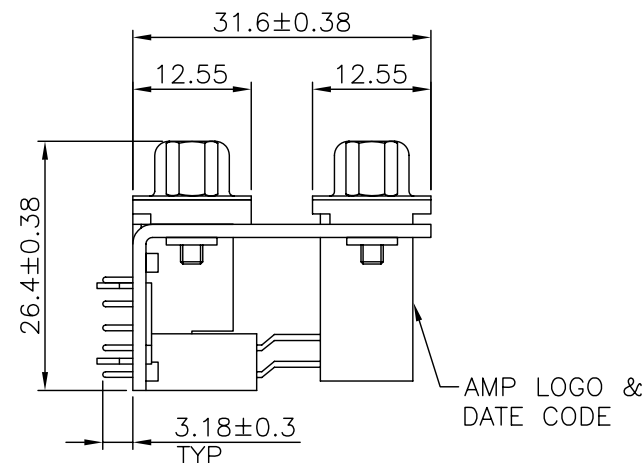
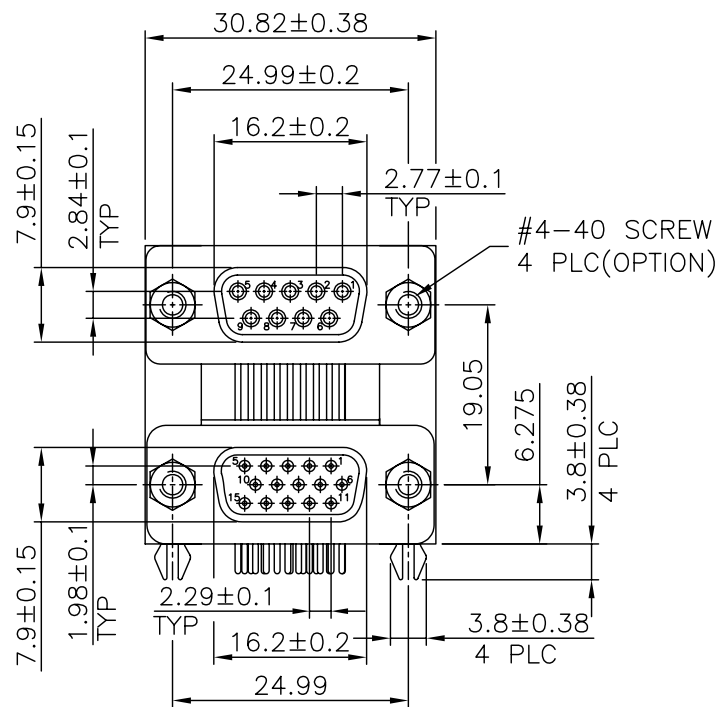
THIS DRAWING IS UNPUBLISHED. RELEASED FOR PUBLICATION

© COPYRIGHT BY TYCO ELECTRONICS CORPORATION. ALL RIGHTS RESERVED.

LOC DW DIST

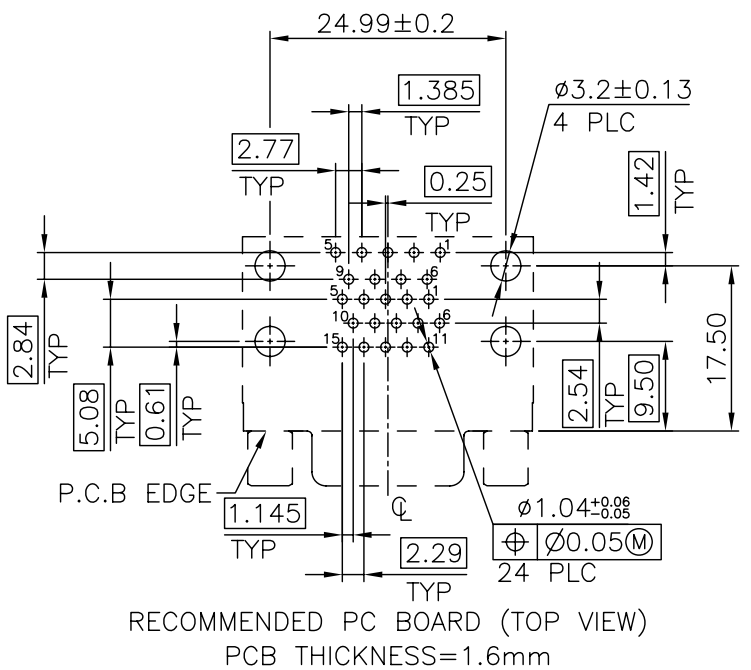
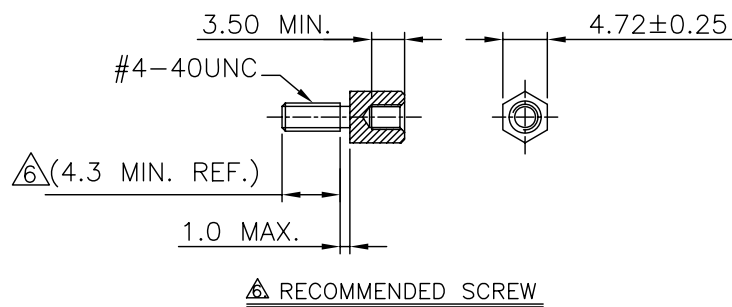
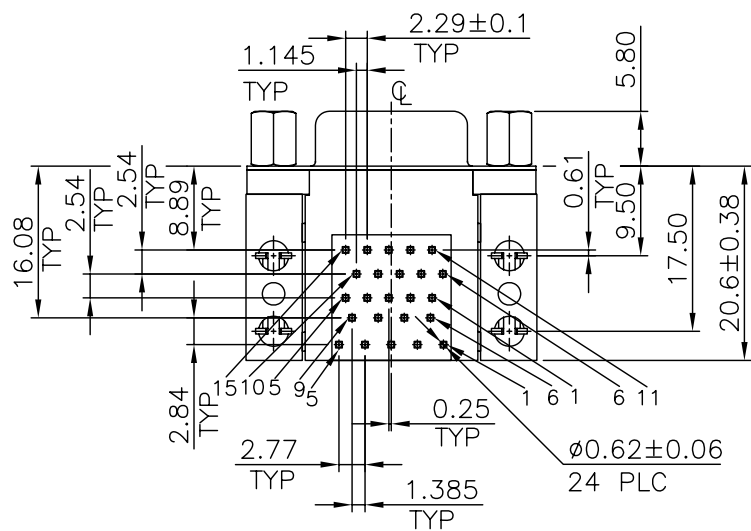
REVISIONS

P	LTR	DESCRIPTION	DATE	DWN	APVD
B1		REVISED (ECR-08-024967)	09OCT08	SC	WK



NOTES:

- MATERIAL:
HOUSING: THERMOPLASTIC(PBT), UL94V-0. BLACK COLOR.
CONTACTS: PHOSPHOR BRONZE.
SHELL: STEEL.
BRACKET: STEEL.
BOARDLOCK: BRASS.
RIVET: BRASS.
SCREW: BRASS.
- FINISH:
CONTACT: GOLD FLASH PLATED ON CONTACT AREA, 2.54um[100u"] MIN. BRIGHT TIN PLATED ON SOLDER TAILS, 1.27um[50u"] MIN. NICKEL UNDERPLATED OVERALL.
SHELL: 1.52um[60u"] MIN. BRIGHT TIN PLATED.
BRACKET: 1.52um[60u"] MIN. BRIGHT TIN PLATED.
BOARDLOCK: 1.52um[60u"] MIN. BRIGHT TIN PLATED. 1.27um[50u"] MIN. NICKEL UNDERPLATED OVERALL.
RIVET: 1.52um[60u"] MIN. BRIGHT TIN PLATED. 1.27um[50u"] MIN. NICKEL UNDERPLATED OVERALL.
SCREW: 0.88um[35u"] MIN. NICKEL PLATED.
- WAVE SOLDER CAPABLE TO 265°C. PER TE SPEC. 109-202, CONDITION B.
- THREADED INSERTS AND SCREWLOCKS MUST WITHSTAND TIGHTEN TORQUE: 5 Kg-cm MAX.
- THREADED INSERTS AND SCREWLOCKS MUST WITHSTAND LOOSEN TORQUE: 1 Kg-cm MAX.
- RECOMMENDED SCREW THREAD LENGTH 4.3 MM MIN. (FOR W/O SCREW OPTIONAL)



W/O	1-1734866-1
WITH	1734866-1
SCREW	PART NUMBER

THIS DRAWING IS A CONTROLLED DOCUMENT.

DWN	S. CHIEN	09OCT2008	Tyco Electronics Corporation Taipei, Taiwan
CHK	S. CHIEN	09OCT2008	
APVD	W. KODAMA	09OCT2008	
DIMENSIONS: MM TOLERANCES UNLESS OTHERWISE SPECIFIED: 0 PLC ± 0.5 1 PLC ± 0.3 2 PLC ± 0.2 3 PLC ± 0.15 4 PLC ± 0.1 ANGLES ± 3°			NAME STACKED ASSEMBLY, RECEPTACLE OVER RECEPTACLE .750 STACKED HEIGHT, AMPLIMTE
MATERIAL			PRODUCT SPEC 108-57517 QUALIFICATION TEST REPORT 501-57590
SEE NOTE			WEIGHT 26.6g CUSTOMER DRAWING
SCALE			SIZE A3 CAGE CODE 00779 DRAWING NO C=1734866 RESTRICTED TO SHEET 1 OF 2 REV B1

4

3

2

1

THIS DRAWING IS UNPUBLISHED. RELEASED FOR PUBLICATION
© COPYRIGHT BY TYCO ELECTRONICS CORPORATION. ALL RIGHTS RESERVED.

LOC DW	DIST	REVISIONS		
P	LTR	DESCRIPTION	DATE	DWN APVD
		SEE SHEET 1.		

D

D

C

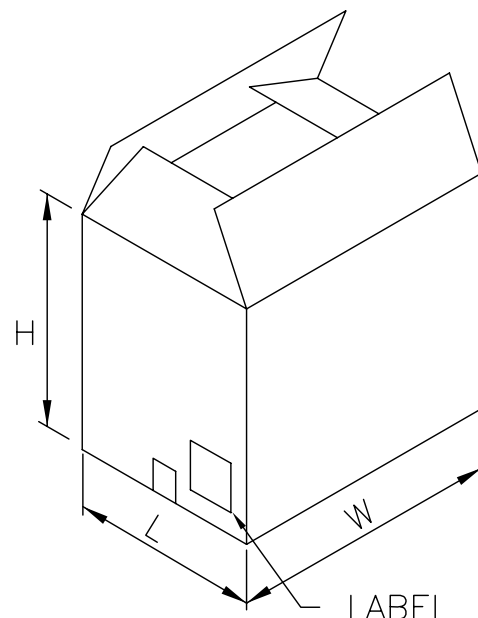
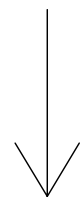
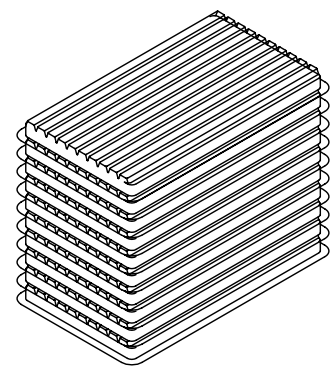
C

B

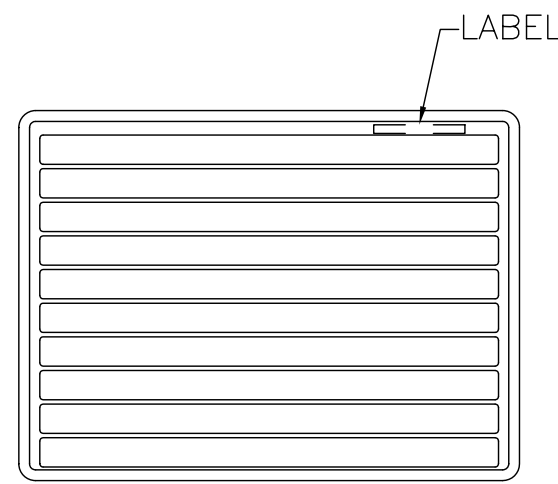
B

A

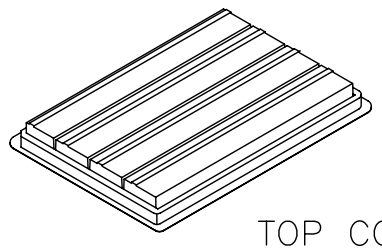
A



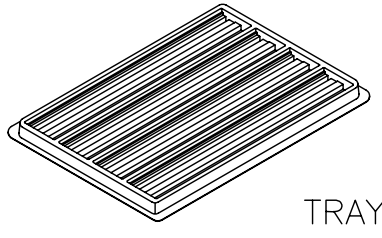
SHIPPING BOX



TRAY LAYOUT



TOP COVER



TRAY

- NOTES:
- DIMENSION:
TRAY: L=310, W=220, H=20
SHIPPING BOX: L=335, W=230, H=280
 - QUANTITY:
36 PCS/TRAY
10 TRAY/SHIPPING BOX.
360 PCS/SHIPPING BOX.
 - SHIPPING BOX WEIGHT:
3.1 W/ SCREW
NET WEIGHT: 9.58 kg
GROSS WEIGHT: 11.01 kg

3.2 W/O SCREW
NET WEIGHT: 8.43 kg
GROSS WEIGHT: 9.86 kg

THIS DRAWING IS A CONTROLLED DOCUMENT.		DWN	Tyco Electronics Corporation Tapei, Taiwan		
DIMENSIONS: MM		CHK	NAME		
TOLERANCES UNLESS OTHERWISE SPECIFIED: 0 PLC ± - 1 PLC ± - 2 PLC ± - 3 PLC ± - 4 PLC ± - ANGLES ± -		APVD	STACKED ASSEMBLY, RECEPTACLE OVER RECEPTACLE .750 STACKED HEIGHT, AMPLIMTE		
MATERIAL		PRODUCT SPEC	SIZE	CAGE CODE	DRAWING NO
FINISH		APPLICATION SPEC	A3	00779	C=1734866
		WEIGHT	RESTRICTED TO		
		CUSTOMER DRAWING	SCALE	SHEET	REV
				2 of 2	B1