

Board to Board Connectors AMPLIMITE 050 Series Connectors/Board to Board Connections — Series I Cap Assembly/Vertical Mount

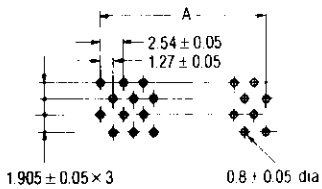
With and Without Self-retaining Post Feature

(Short Type, has flux
drain holes)

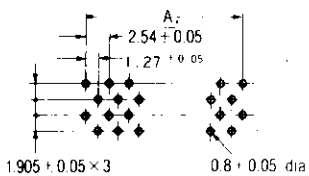
Material & Finish:

Housing—UL94V-0 rated,
thermoplastic, black
Contact—Phosphor bronze,
duplex plated $0.2\mu\text{m}$ min.
or $0.76\mu\text{m}$ min. gold on
contact area, $1\mu\text{m}$ min.
tin-lead or tin on soldering
area, with entire contact
underplated $1.27\mu\text{m}$ min.
nickel.

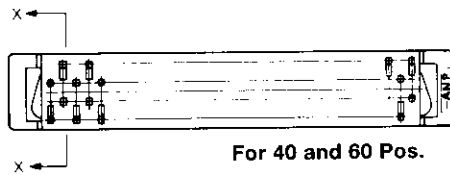
PC Board Mounting Dimensions (Connector Mounting Side)



For 40 and 60 Pos.



For 30 and 50 Pos.



For 40 and 60 Pos.



For 30 and 50 Pos.

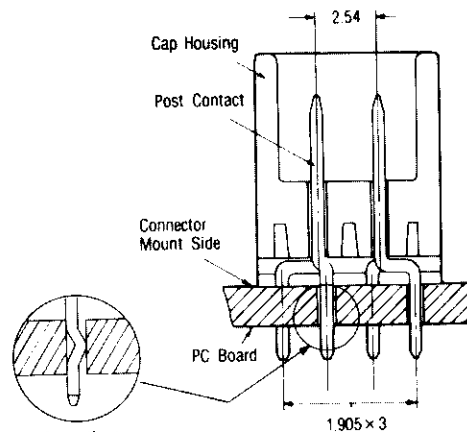
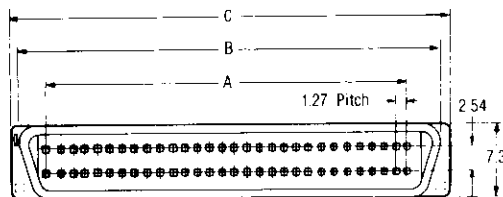
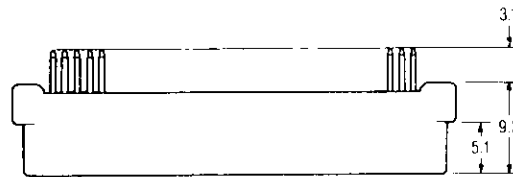


Figure for self-retaining
post feature
(See chart below)

Section X-X

No. of Pos.	Dimensions			Part Number of Cap Assembly			
	A	B	C	Without Self-retaining Post		With Self-retaining Post	
				0.2 μm	0.76 μm	0.2 μm	0.76 μm
30	17.78	23.8	25.6	174216-1	6-174216-1	175711-1	6-175711-1
40	24.13	30.1	31.9	174216-2	6-174216-2	175711-2	6-175711-2
50	30.48	36.5	38.3	174216-3	6-174216-3	175711-3	6-175711-3
60	36.83	42.8	44.6	174216-4	6-174216-4	175711-4	6-175711-4