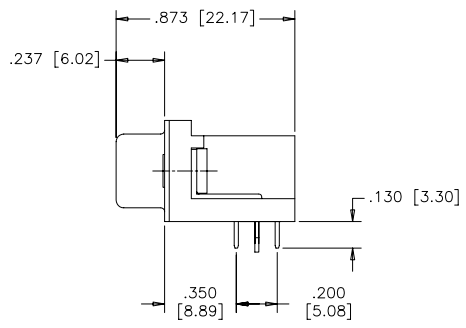
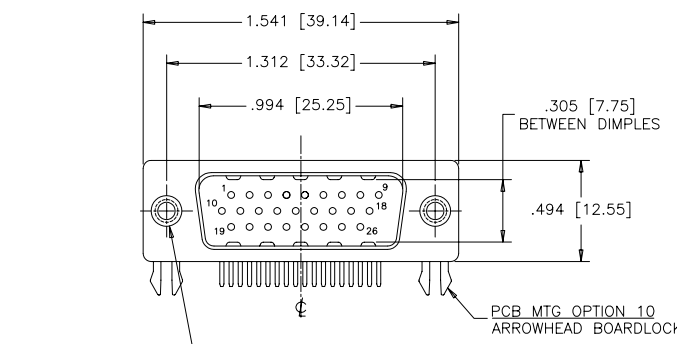
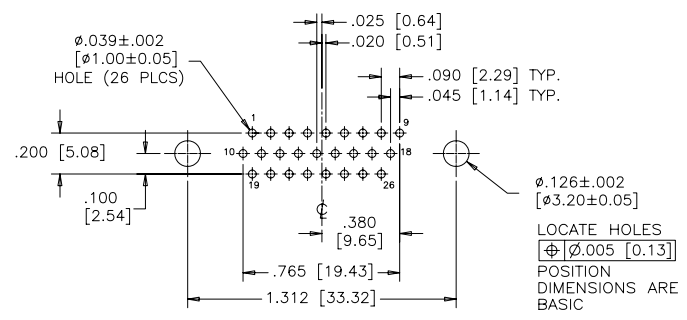
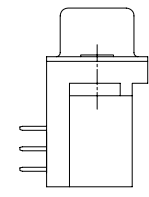
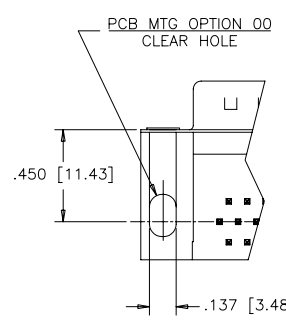
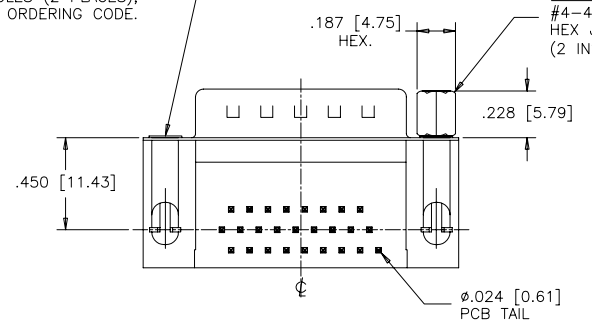


REVISIONS			
REV	ECN, ERN NO.	DATE	APPRD.
A	PRODUCT DRAWING (EAR 12992)	DEC12/06	K.L.



PANEL MTG OPTIONS 0 OR 1
.120 [3.05] DIA. OR #4-40
THROUGH HOLES (2 PLACES),
SEE ORDERING CODE.

PANEL MTG OPTION 2
#4-40 UNC THREADED
HEX JACK SOCKET
(2 INSTALLED)



RECOMMENDED P.C.B LAYOUT
(COMPONENT SIDE OF BOARD)

ORDERING CODE:

PART NUMBER: 1 7 E B H - 0 2 6 P A M - 2 1 0

SERIES
NUMBER OF CONTACTS 026
STYLE P= PIN
CONTACT PLATING OPTIONS FOR ENGAGEMENT AREA
AA= 3µ" [0.08 MICRONS] GOLD FLASH
CH= 15µ" [0.38 MICRONS] GOLD
AM= 30µ" [0.76 MICRONS] GOLD

PCB MOUNTING OPTIONS
00= CLEAR HOLE
10= ARROWHEAD BOARDLOCK
PANEL MOUNTING OPTIONS
0= .120 [3.05] CLEAR HOLE
1= #4-40 THREADED
2= #4-40 UNC THREADED HEX JACK SOCKETS

SPECIFICATIONS:

MATERIALS: ALL MATERIALS ARE RoHS COMPLIANT.
SHELLS: STEEL, TIN PLATED.
INSERTS: HIGH TEMPERATURE RESISTANT NYLON, GLASS REINFORCED, UL FLAMMABILITY RATING 94V-0, COLOUR: BLACK.
CONTACTS: COPPER ALLOY, GOLD PLATING (SEE ORDERING CODE) OVER 50µ" [1.27 MICRONS] NICKEL ON ENGAGEMENT AREA WITH 100µ" [2.54 MICRONS] MIN. MATTE TIN ON CONTACT TERMINALS.
BOARDLOCK: COPPER ALLOY, TIN PLATED.

ELECTRICAL DATA:

CURRENT RATING: 3 AMP
CONTACT RESISTANCE: 15 MILLIOHMS MAX.
INSULATION RESISTANCE: 5000 MEGOHMS MIN.
DIELECTRIC WITHSTANDING VOLTAGE: 1000 VAC rms
OPERATING TEMPERATURE: -55°C TO +105°C

THIS DOCUMENT CONTAINS PROPRIETARY INFORMATION AND SUCH INFORMATION MAY NOT BE DISCLOSED TO OTHERS FOR ANY PURPOSE OR USED FOR MANUFACTURING PURPOSES WITHOUT WRITTEN PERMISSION FROM AMPHENOL CANADA CORP.

DRAWN	J.LEE	DATE	DEC12/06
DESIGNED			
CHECKED	K.LAMBIE	DATE	DEC12/06
I. E. APPRD.			
Q. A. APPRD.			
DWG. APPRD.			
ENG. REL. NO.			
REF.	EAR 12992		
DIMENSIONS ARE IN	CODE ID. NO.		
INCHES [mm]	03554		

Amphenol Canada Corp.

TITLE: 17EBH SERIES HIGH DENSITY D-SUB CONNECTOR, 26 SIZE PIN, RIGHT ANGLE PCB CONTACTS, PLATING & MOUNTING OPTIONS, RoHS COMPLIANT

DWG	DRAWING NO.	REV.
C	P-17EBH-026PXX-XX0	A

SCALE 2/1 WT. _____ SURF. _____ SHEET 1 OF 1