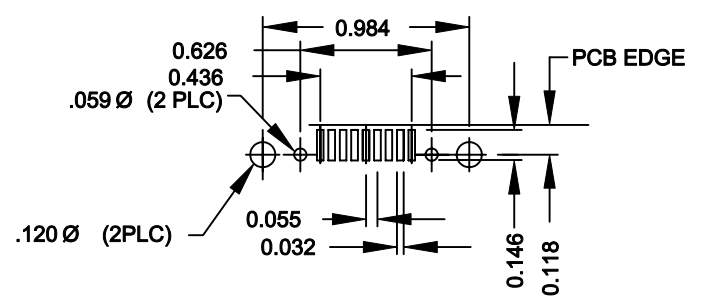
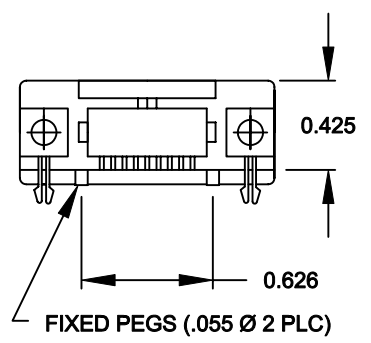
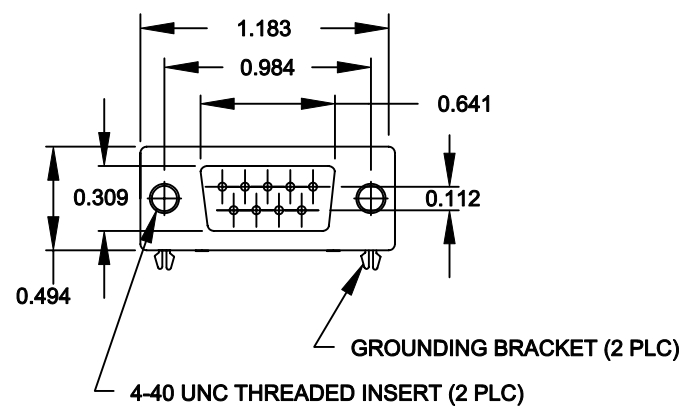
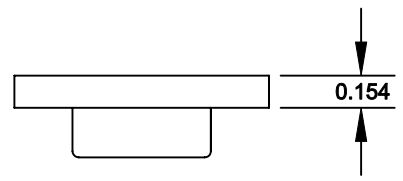


**DESCRIPTION: 9 POS FEMALE SURFACE MOUNT**

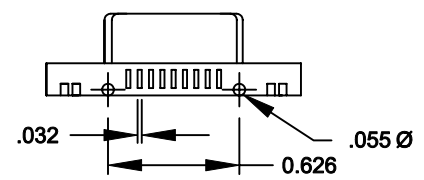
**MATERIAL/FINISH:**  
 SHELL: STEEL ZINC OR TIN PLATED  
 BRACKET: BRASS, NICKEL PLATED  
 INSULATOR: NYLON 6T - UL 94V-O, BLACK  
 (TEMPERATURE RESISTANCE 250°C FOR 60 SECS.)  
 Pc 99 COLORFUL INSULATOR: PATONE #322C  
 CONTACT: PHOSPHOR BRONZE  
 GOLD FLASH (MATING AREA) - TIN/LEAD (TERMINATING AREA)

**SPECIFICATIONS:**  
 RATED CURRENT: 5A  
 RATED VOLTAGE: 300V DC  
 WITHSTANDING VOLTAGE: 500V (rms) AC FOR 1 MINUTE  
 INSULATION RESISTANCE: MORE THAN 1000M ohm AT 500V DC  
 CONTACT RESISTANCE: 13m ohms MAX.  
 DIELECTRIC STRENGTH: 1000V AC FOR 1 MINUTE



**CONTACT ARRANGEMENT**  
 1 6 2 7 3 8 4 9 5

**RECOMMENDED PCB LAYOUT**



|                  |   |                 |                       |                  |
|------------------|---|-----------------|-----------------------|------------------|
|                  | THESE DRAWINGS AND SPECIFICATIONS ARE THE PROPERTY OF NorComp AND SHALL NOT BE REPRODUCED, COPIED OR USED AS THE BASIS FOR THE MANUFACTURE OR SALE OF APPARATUS WITHOUT WRITTEN PERMISSION. |                 | DRAWN:<br>PAM JENKINS | DATE:<br>8-21-02 |
|                  |   |                 | CHECKED:              | DATE:            |
| <h1>NorComp</h1> | SCALE:  | SHEET<br>1 OF 1 | REV<br>1              |                  |
|                  | DWG NO.<br>190-009-262-001  |                 |                       |                  |